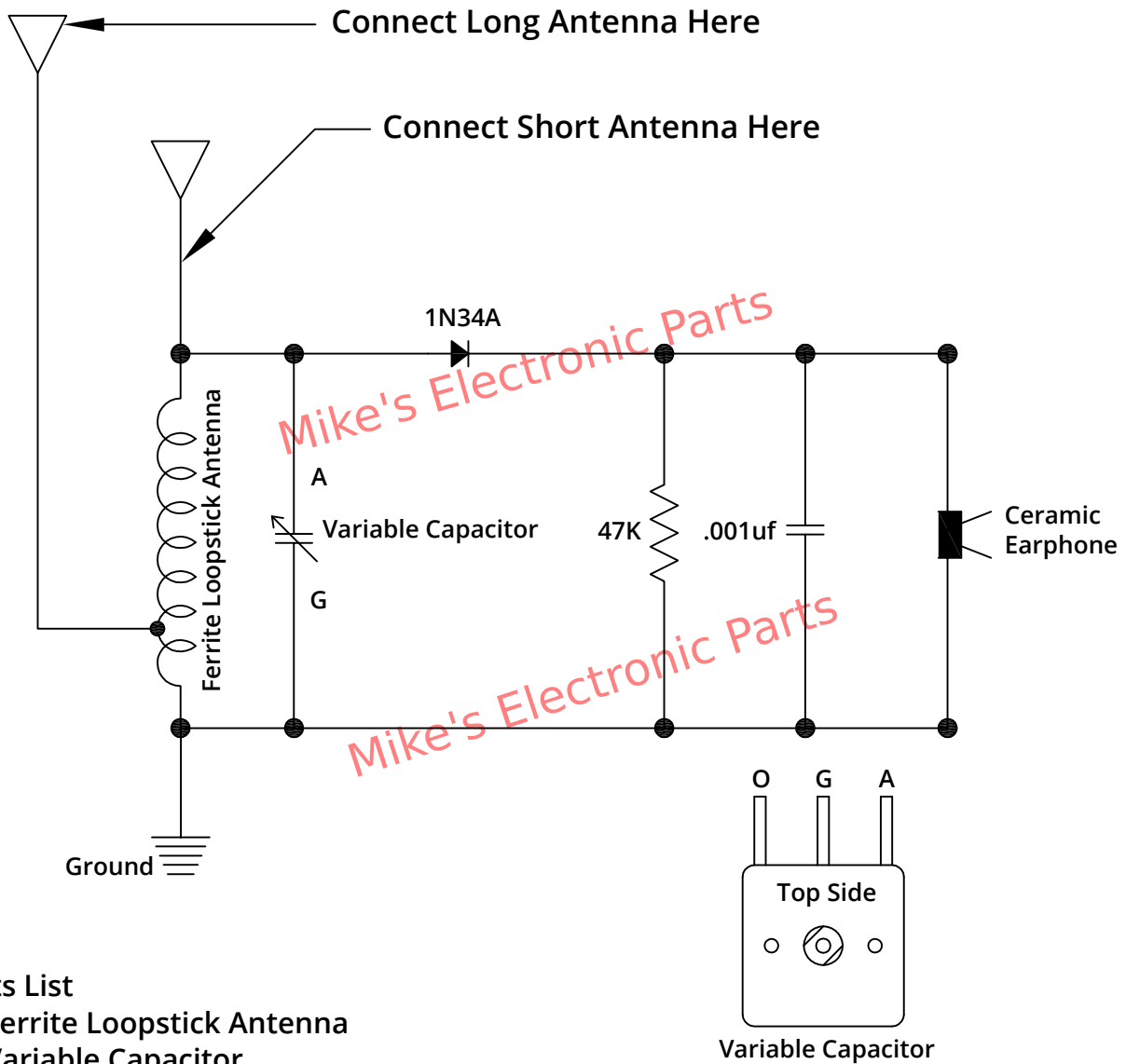


Mike's Electronic Parts, LLC

Simple Crystal Radio Kit 1



Parts List

- 1 - Ferrite Loopstick Antenna
 - 1 - Variable Capacitor
 - 1 - Germanium Diode 1N34A
 - 1 - .001uf Capacitor Marked 102
 - 1 - 47K Resistor
 - 1 - 20 Million Ohm Ceramic Earphone
- Antenna and Ground wire not include with parts

For short antenna connect a 15 to 30ft length of wire. It is best to use a long wire antenna of 40 to 100ft. A good ground may be required if so run a wire for ground to the nearest ground source. If you are not using the long antenna connection do not cut the wires. Doing so will cause the coil not to work.

Drawn By: Scott Lowe

This Kit can be bought at my web site Part Number CRK#1 Kit.

<https://www.mikeselectronicparts.com/>