



SERIES MGA TWIN CAM

SERVICE PARTS LIST

(SECOND EDITION)

This List cancels First Edition of Part No. AKD599A and embodies all information issued up to and including Parts List Amendment No. PMG/409

WHEN ORDERING FURTHER COPIES OF THIS LIST PART No. AKD1296 SHOULD BE QUOTED

Issued by

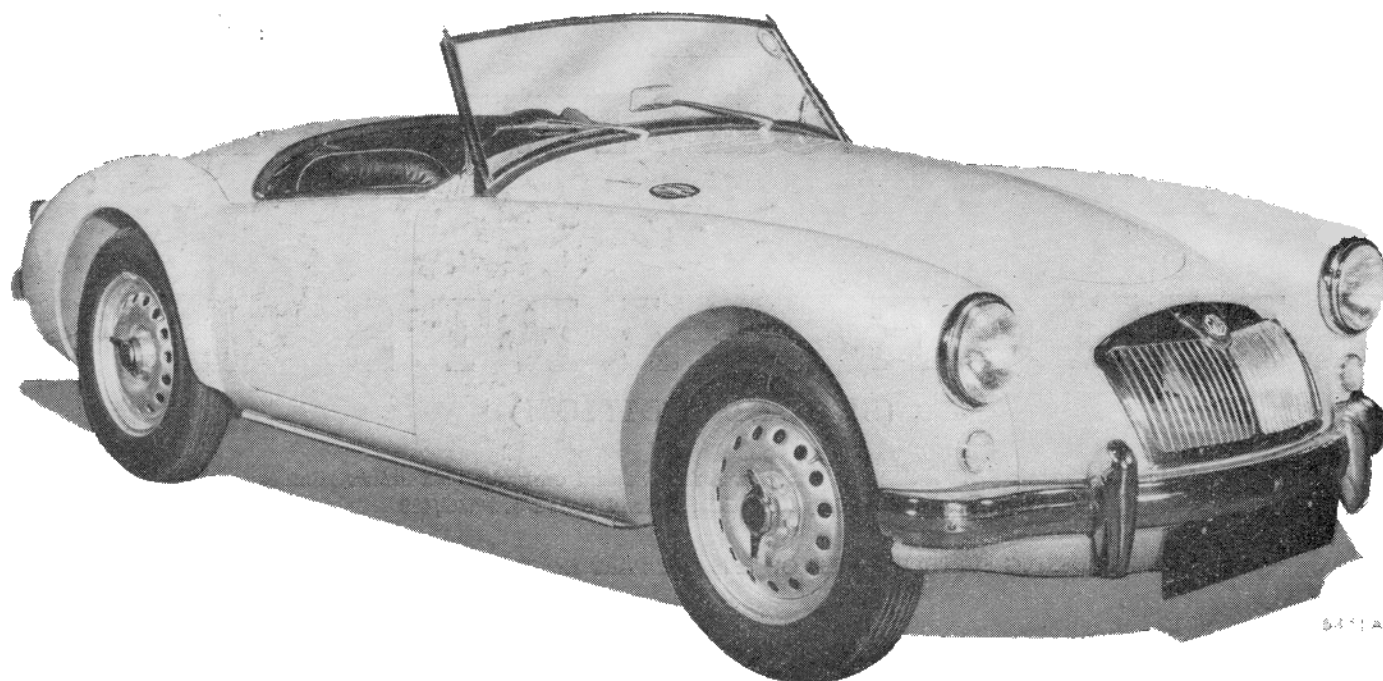
B.M.C. SERVICE LIMITED
COWLEY · OXFORD · ENGLAND

Telephone - - - - Oxford 77777
Telex - - - - Oxford Telex 83145 and 83146
Telegrams - - - - Mowog, Telex, Oxford

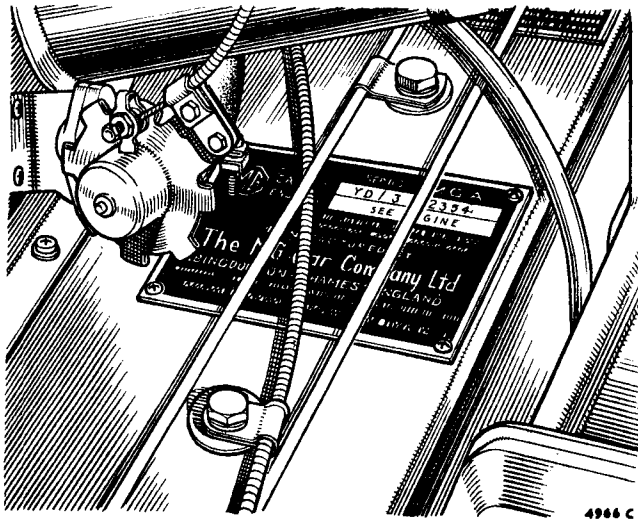
Cables - - - - Mowog, Oxford, England
Codes - - - - Bentley's, Bentley's Second Phrase, A.B.C.
(5th and 6th Editions), Western Union and Private



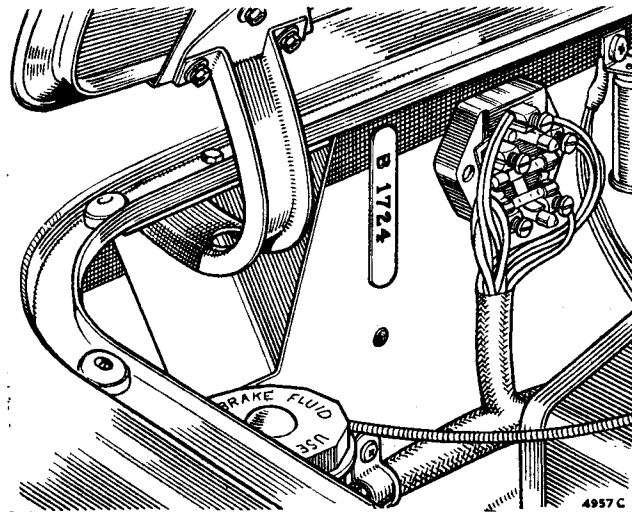
FEBRUARY 1960



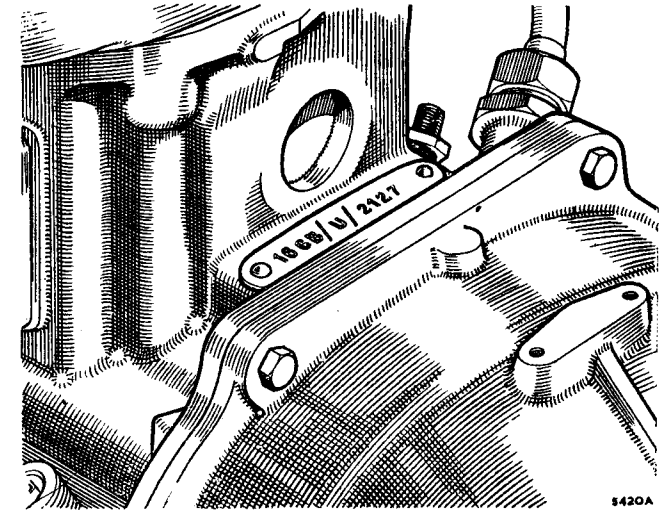
LOCATION OF SERIAL NUMBERS



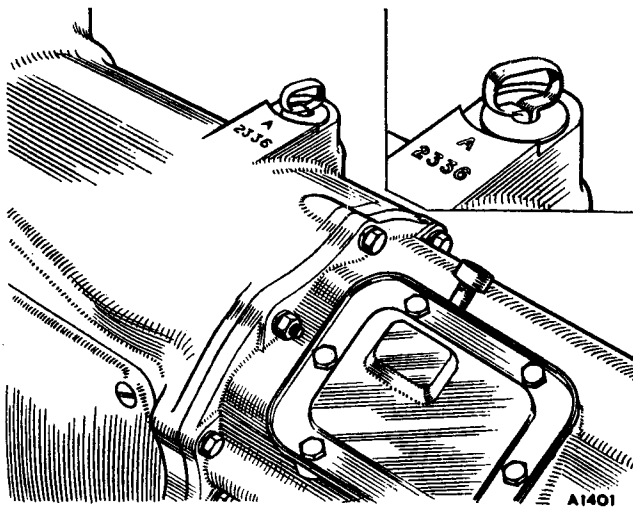
The **Car Number** is stamped on a plate secured to the top left-hand side of the dash panel



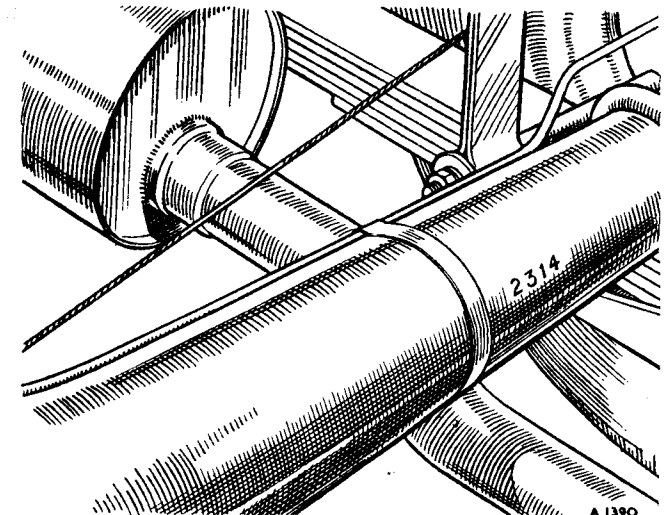
The **Body Number** is stamped on a plate secured to the bulkhead between the right-hand bonnet hinge and the fuse block



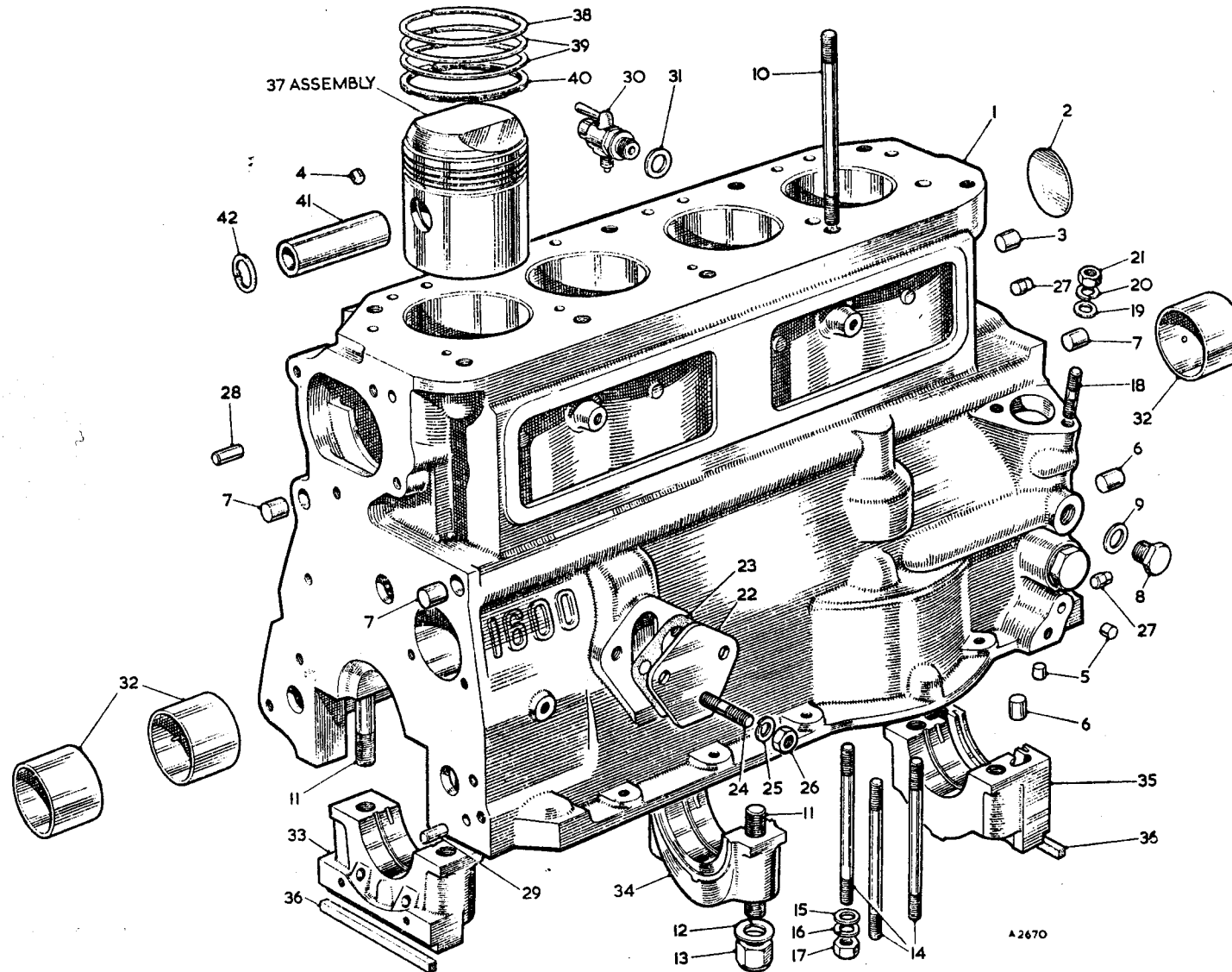
The **Engine Number** is stamped on a plate secured to the rear of the engine behind the cylinder block



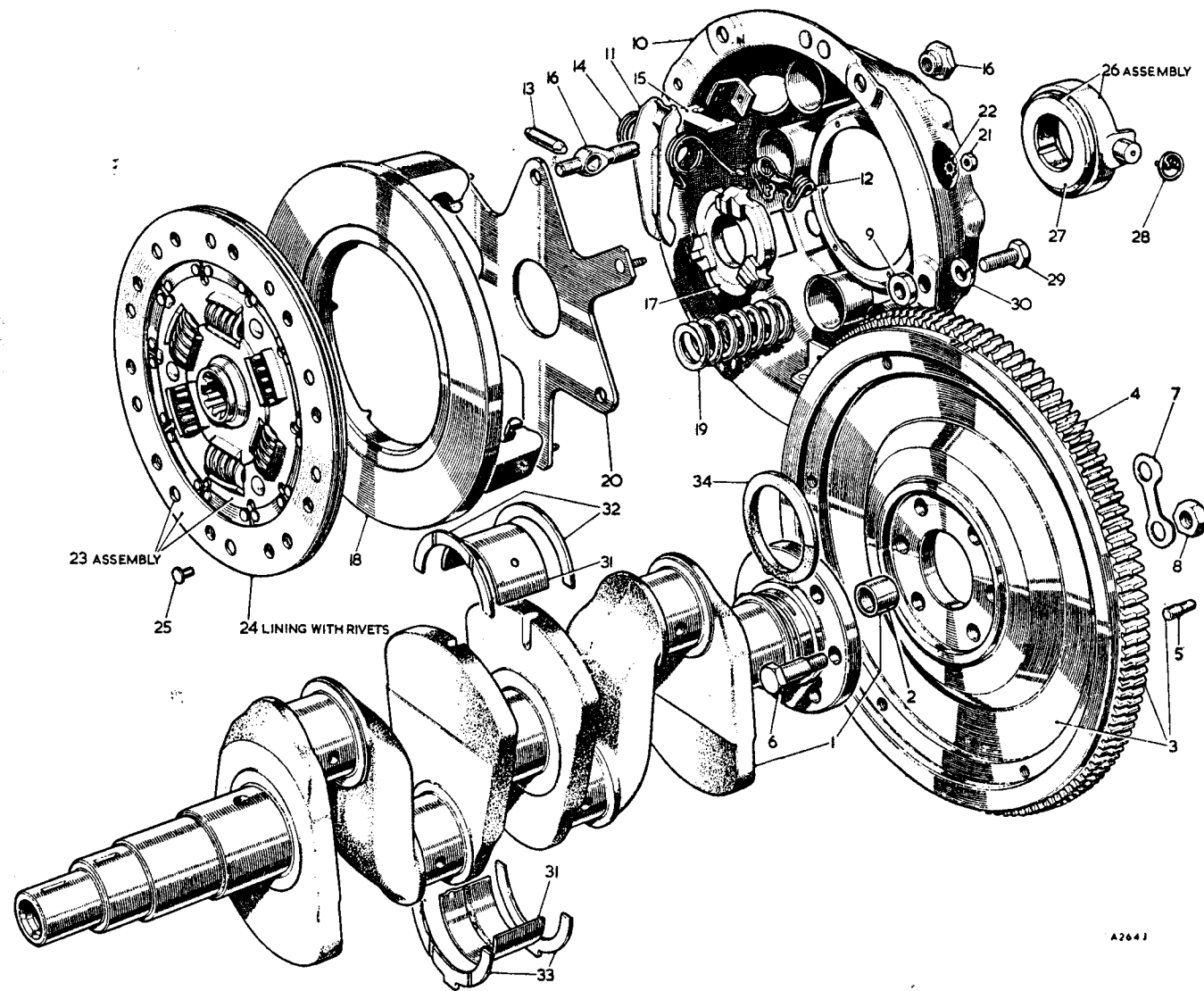
The **Gearbox Number** is stamped on the top of the gearbox casing adjacent to the dipstick



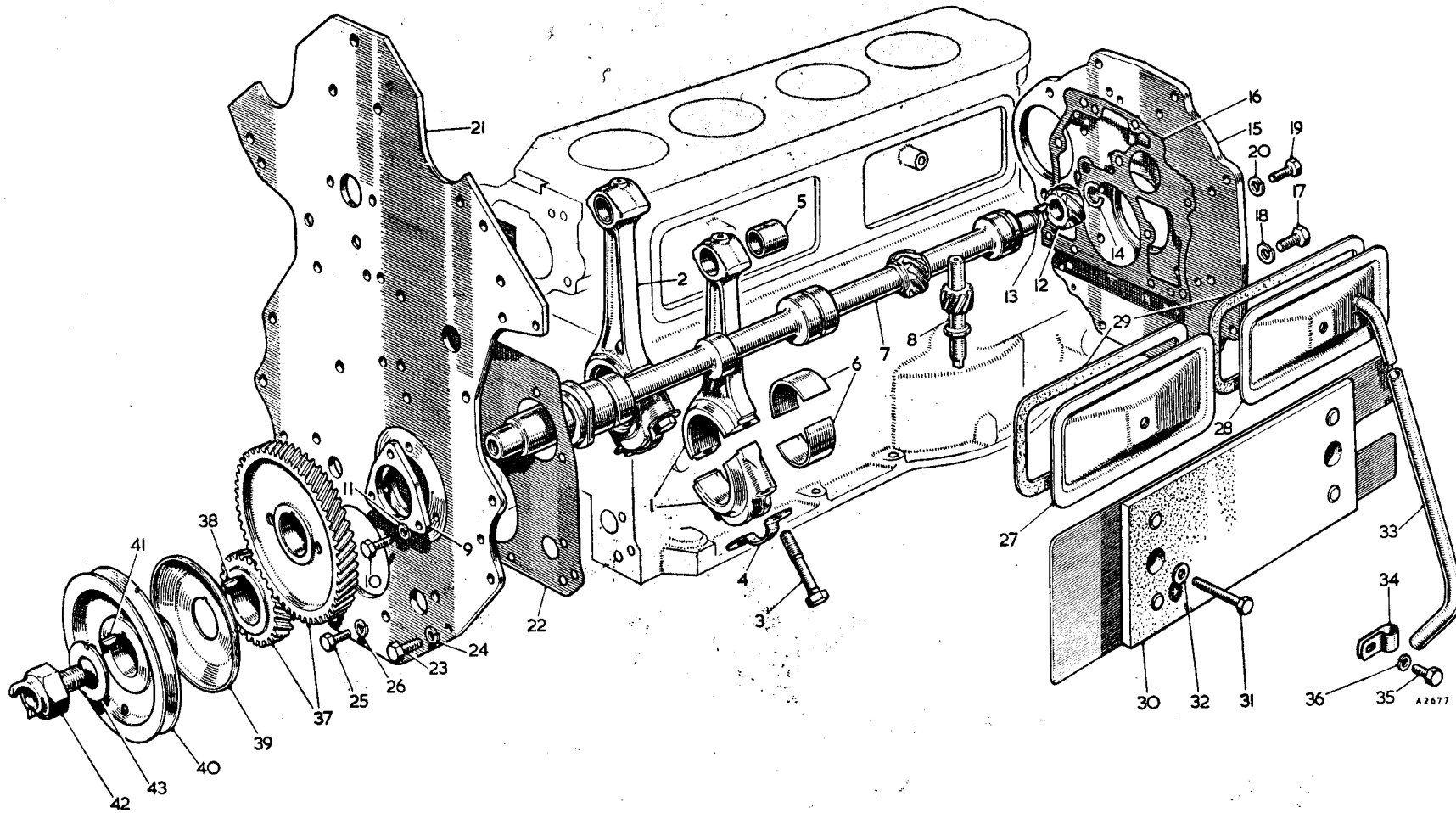
The **Rear Axle Number** is stamped on the front of the axle tube on the left-hand side adjacent to the spring seat

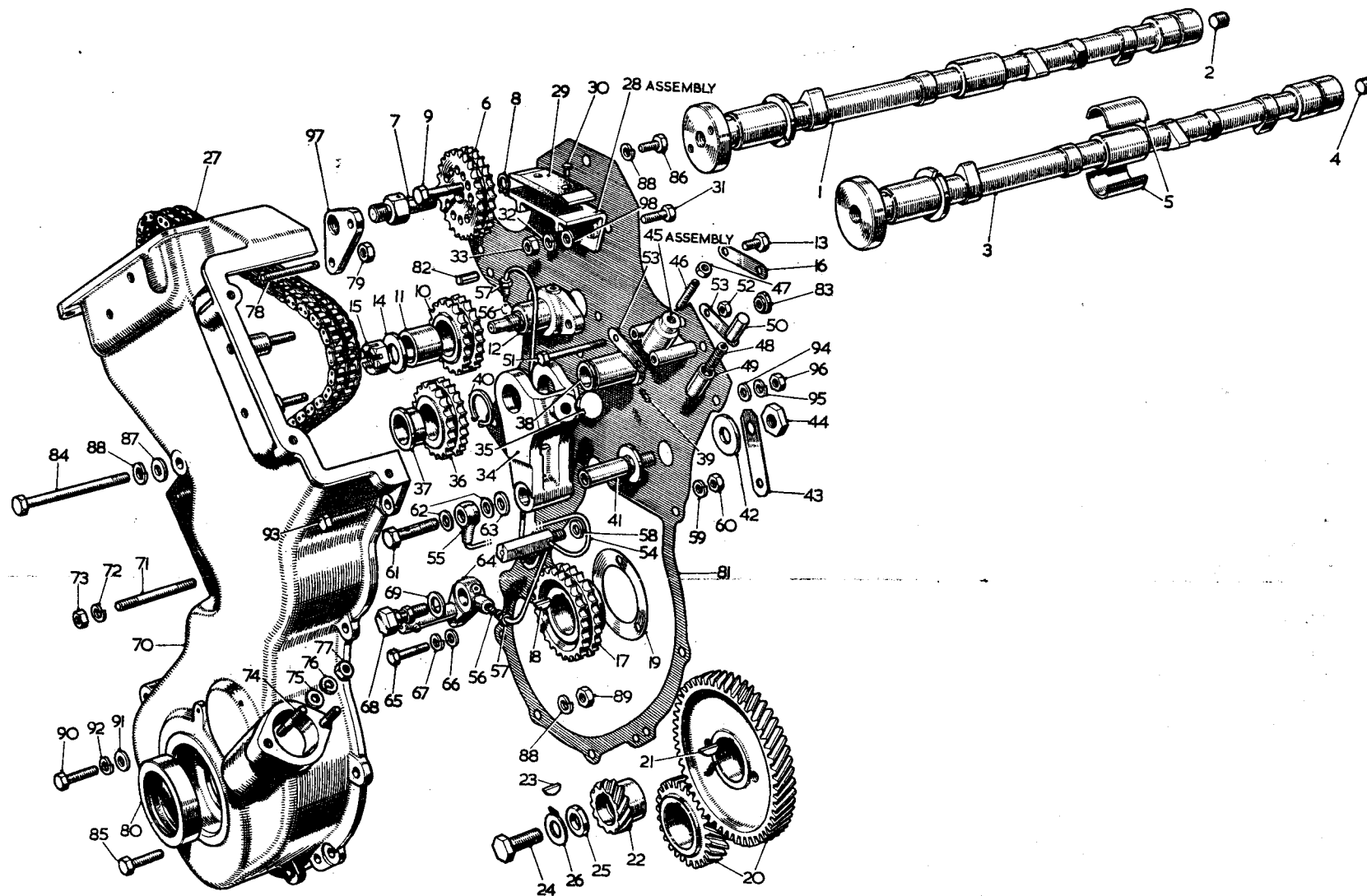


A2670

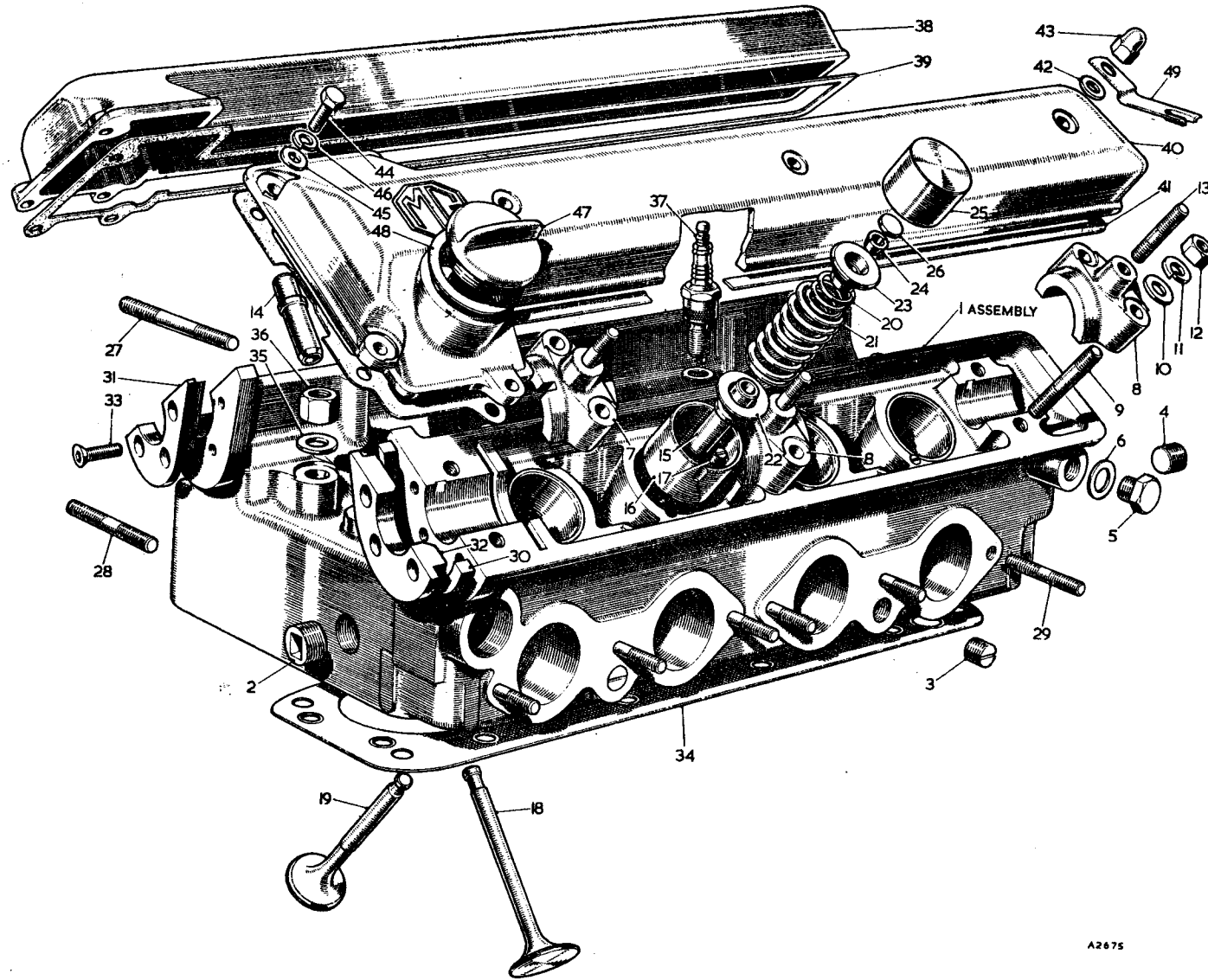


A2641

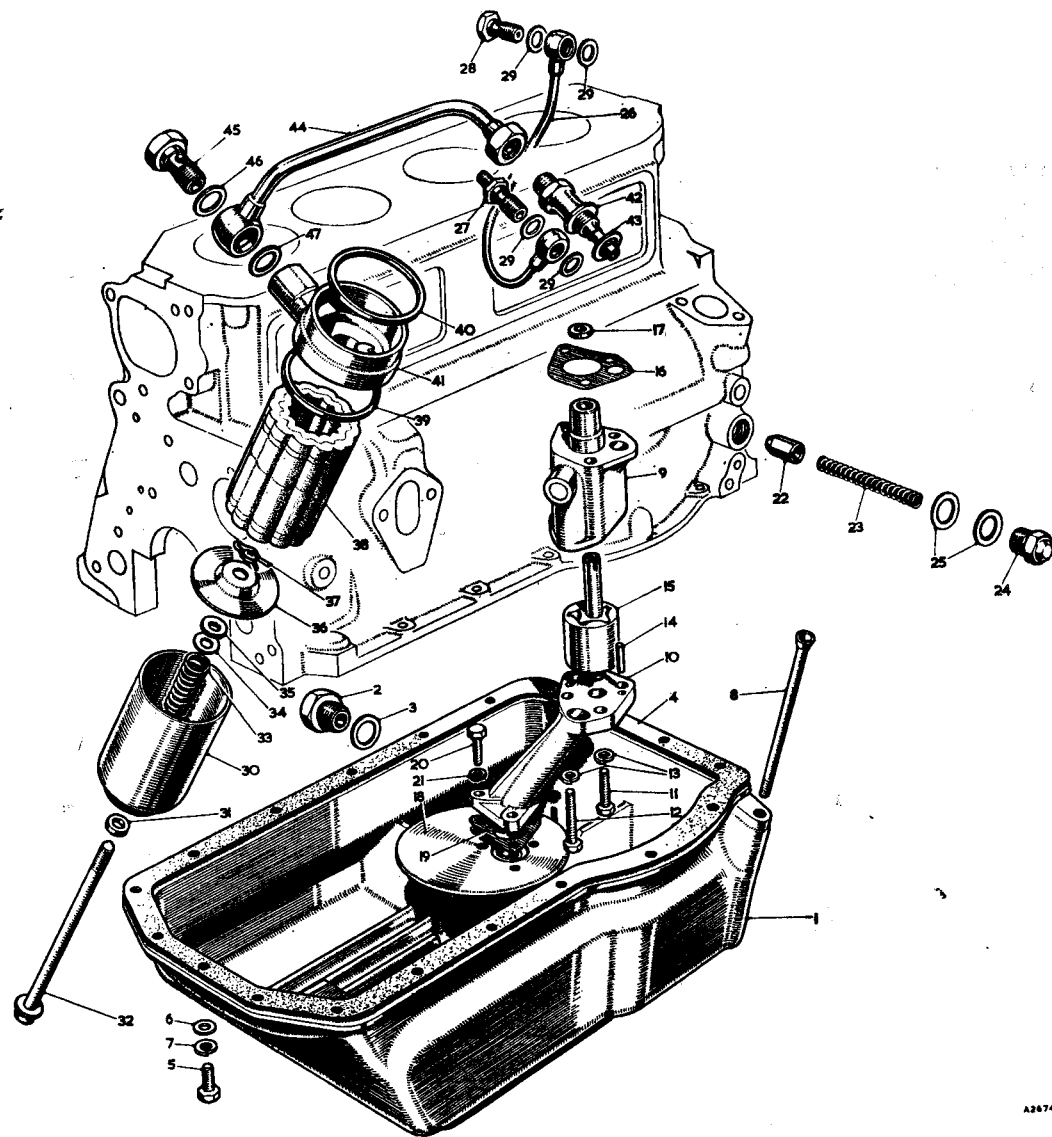




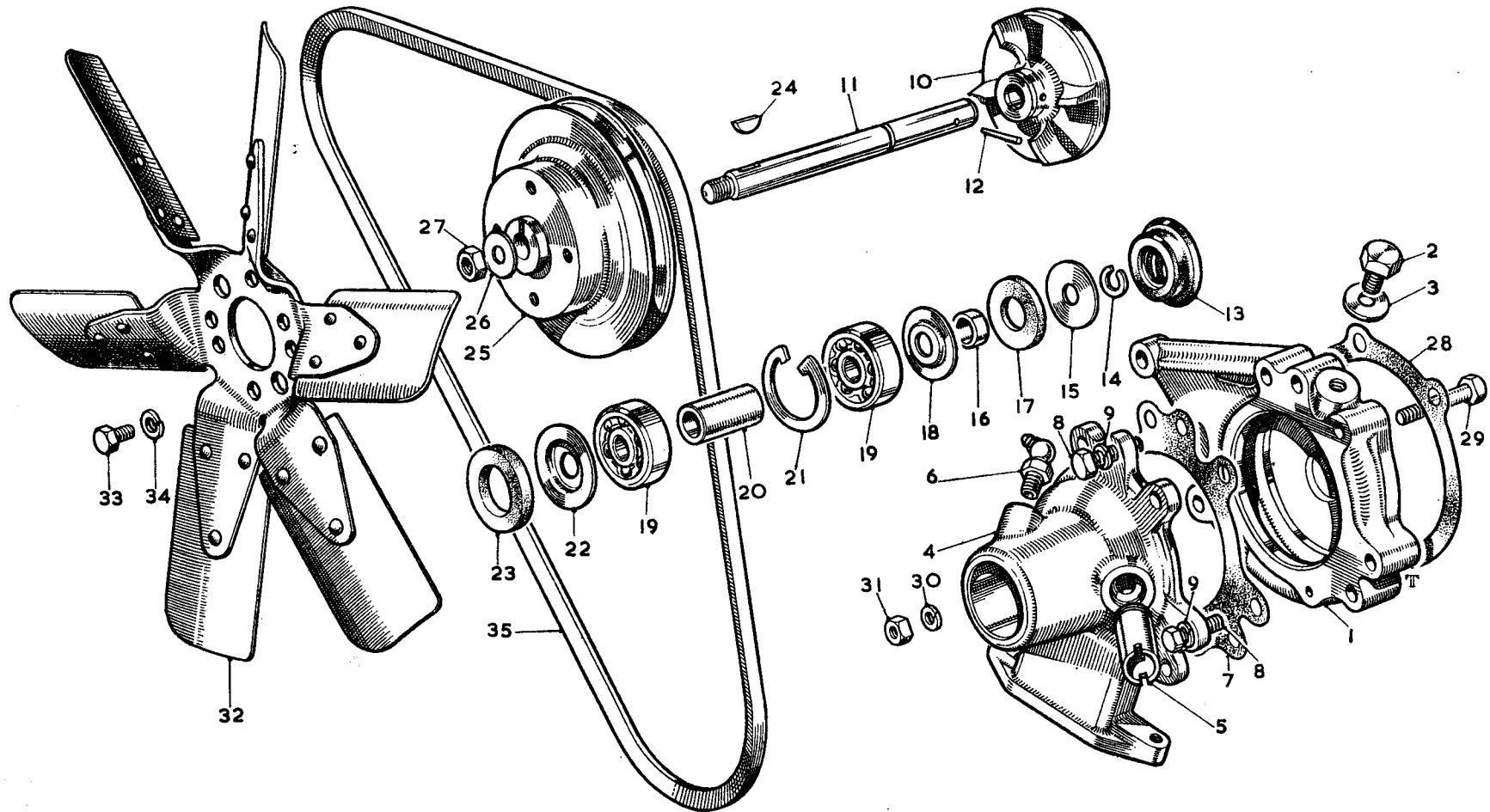
A2676



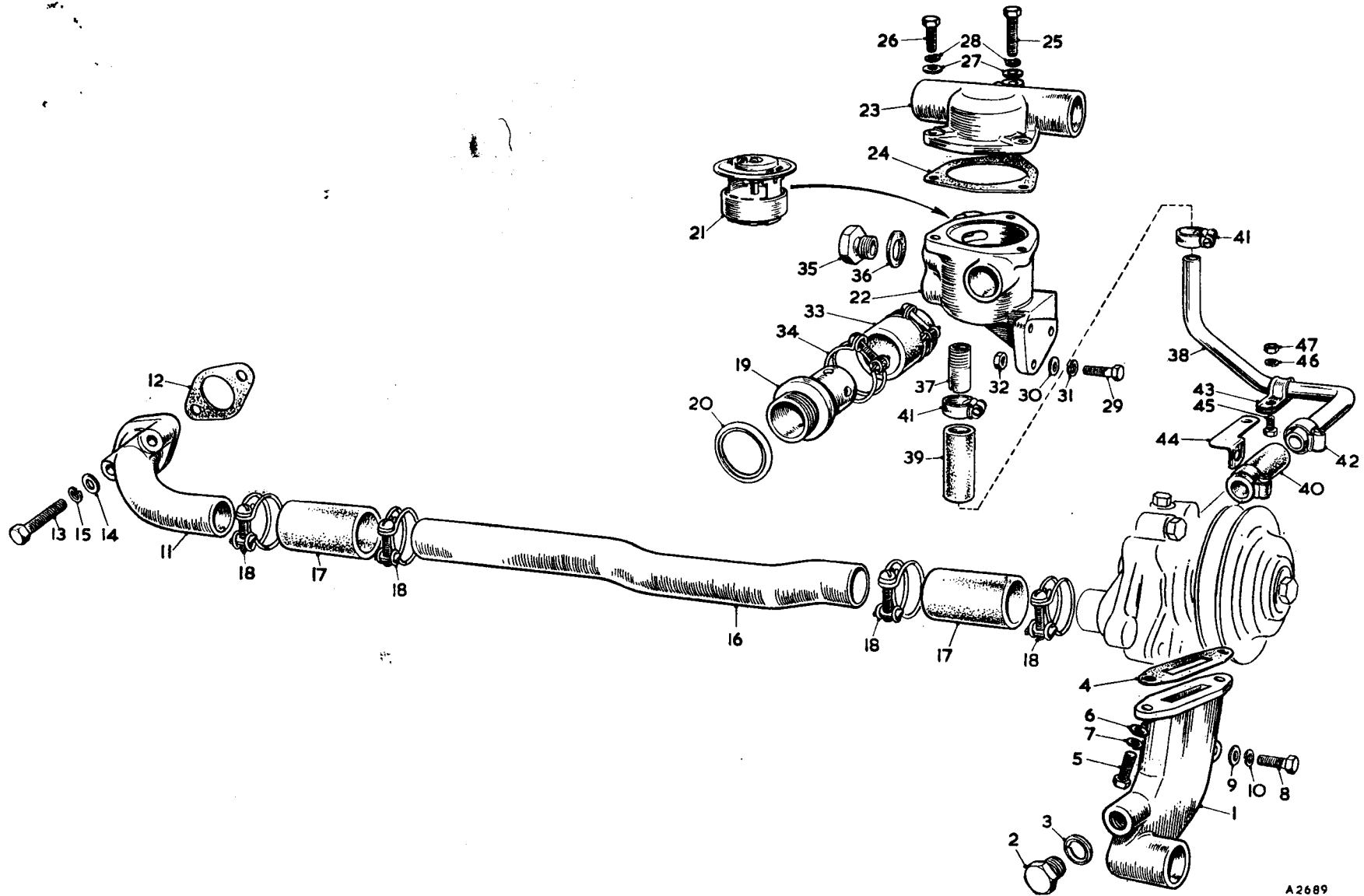
A2675



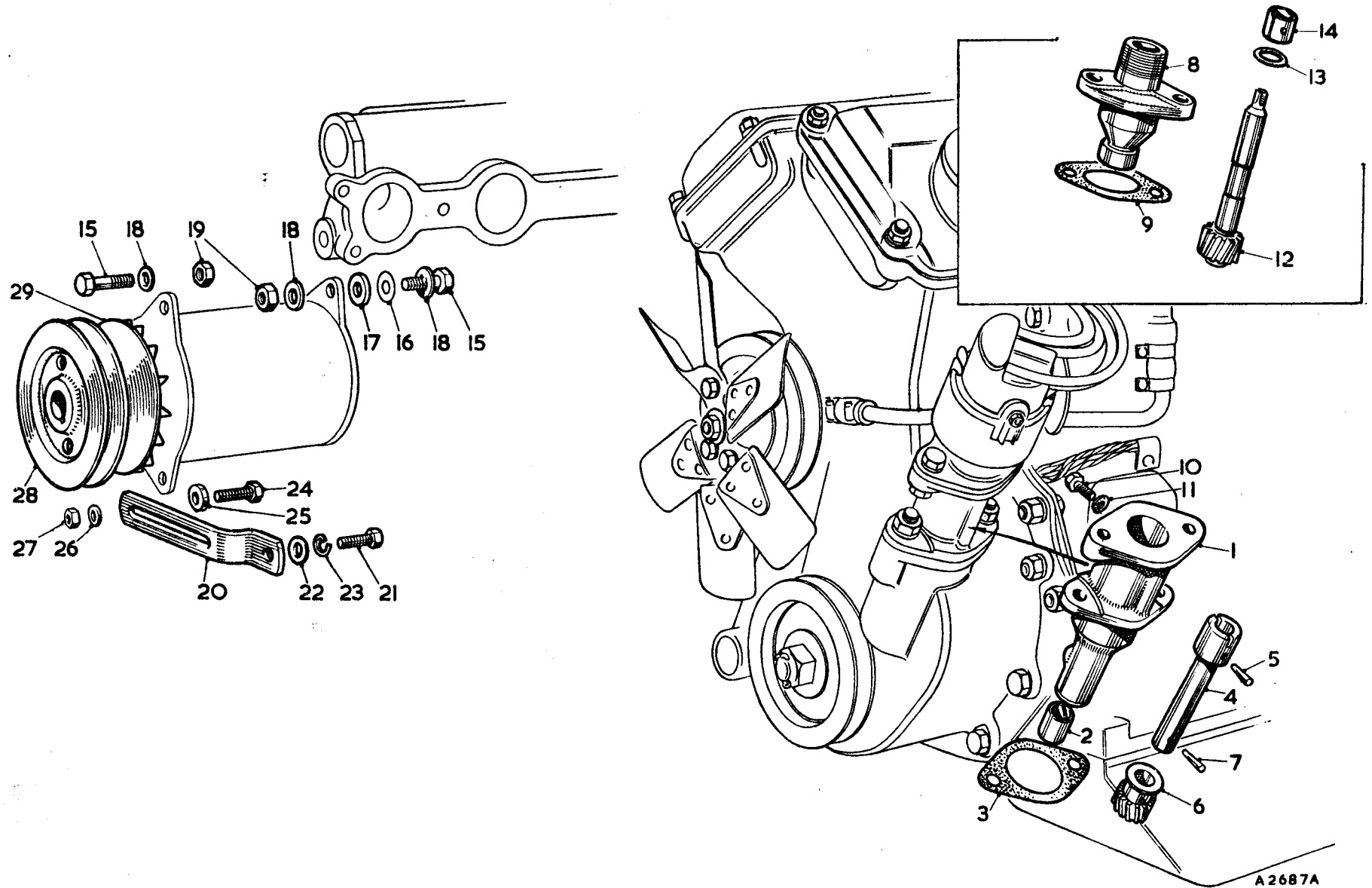
A2674

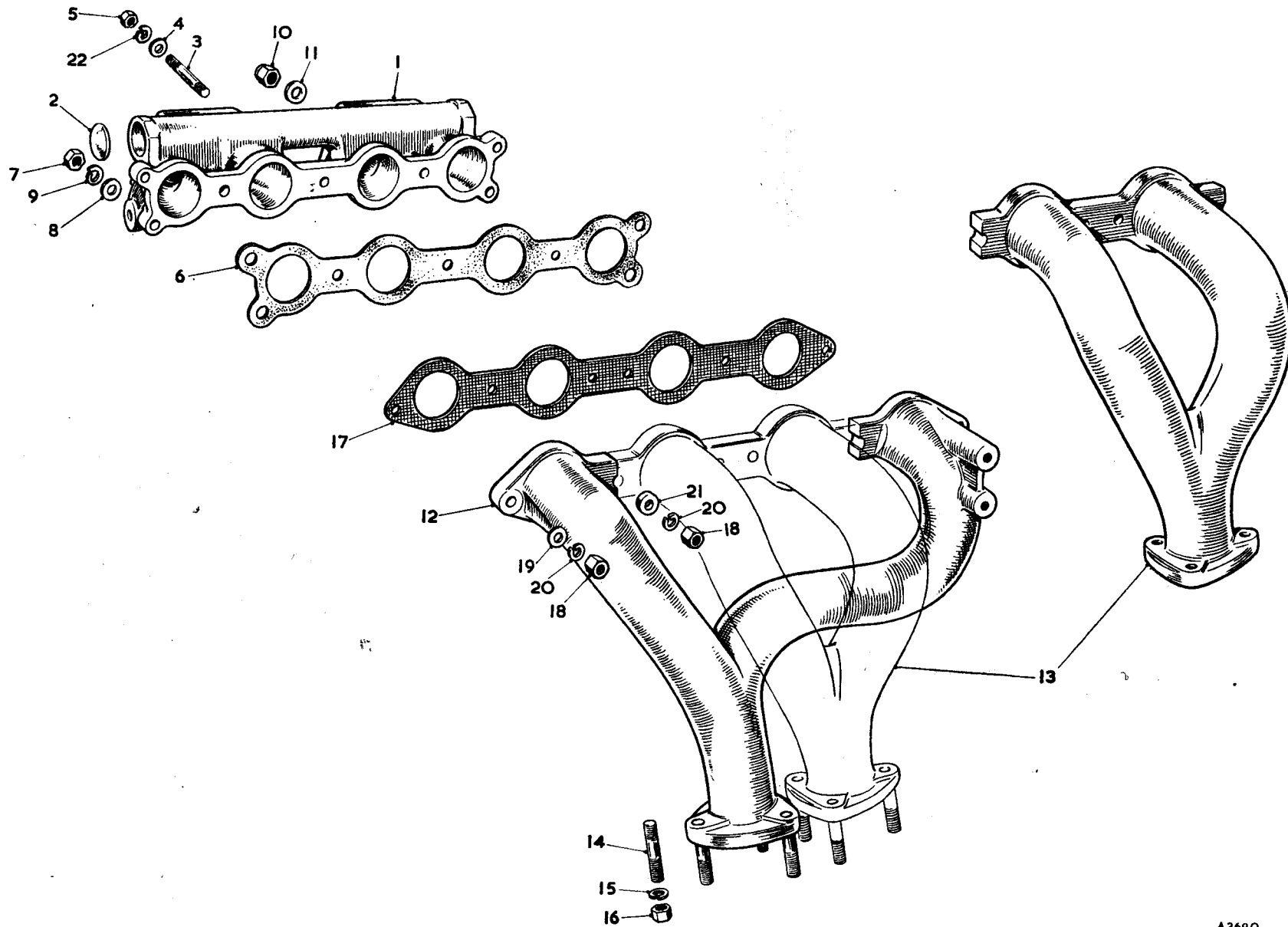


A0296A

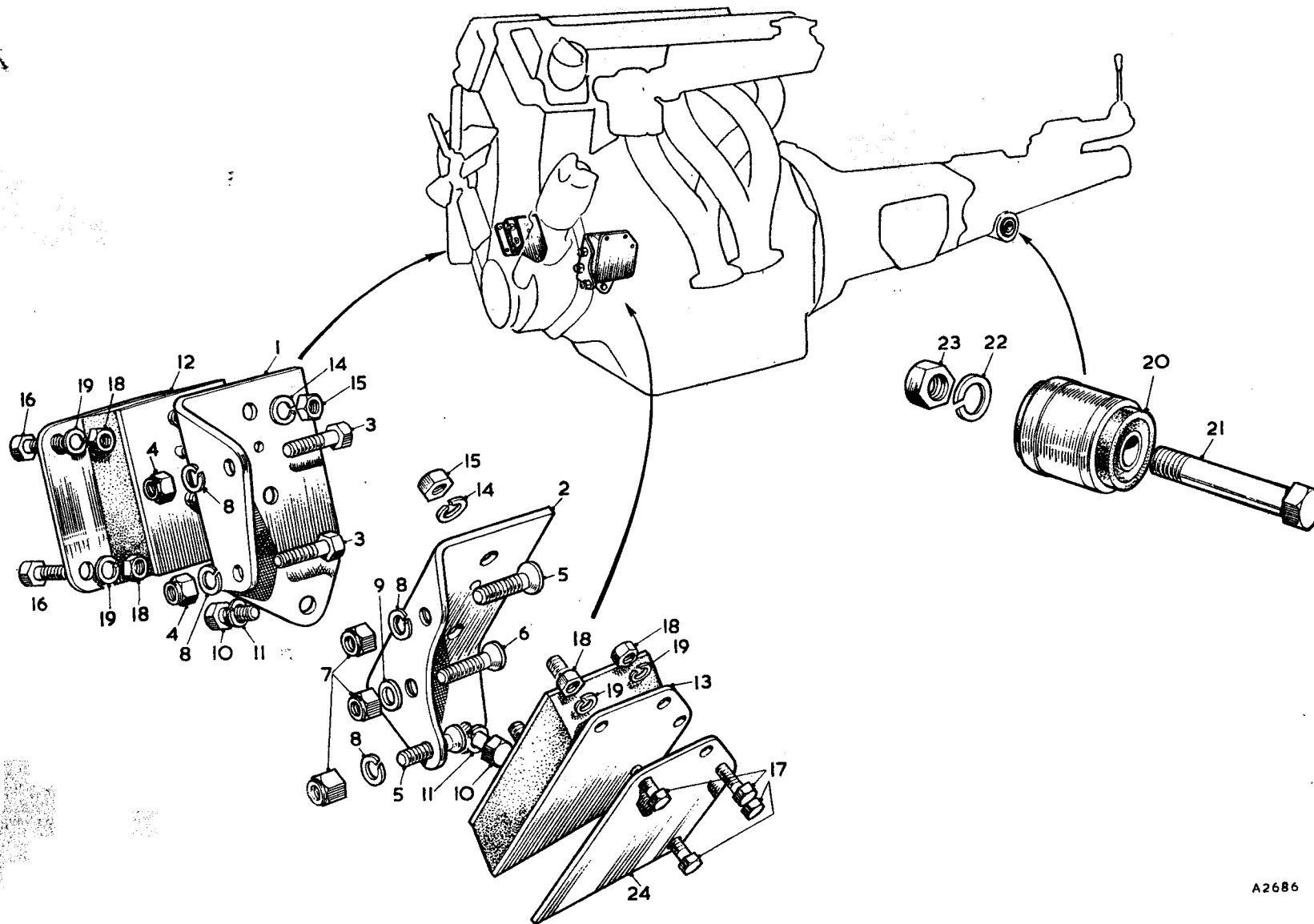


A2689

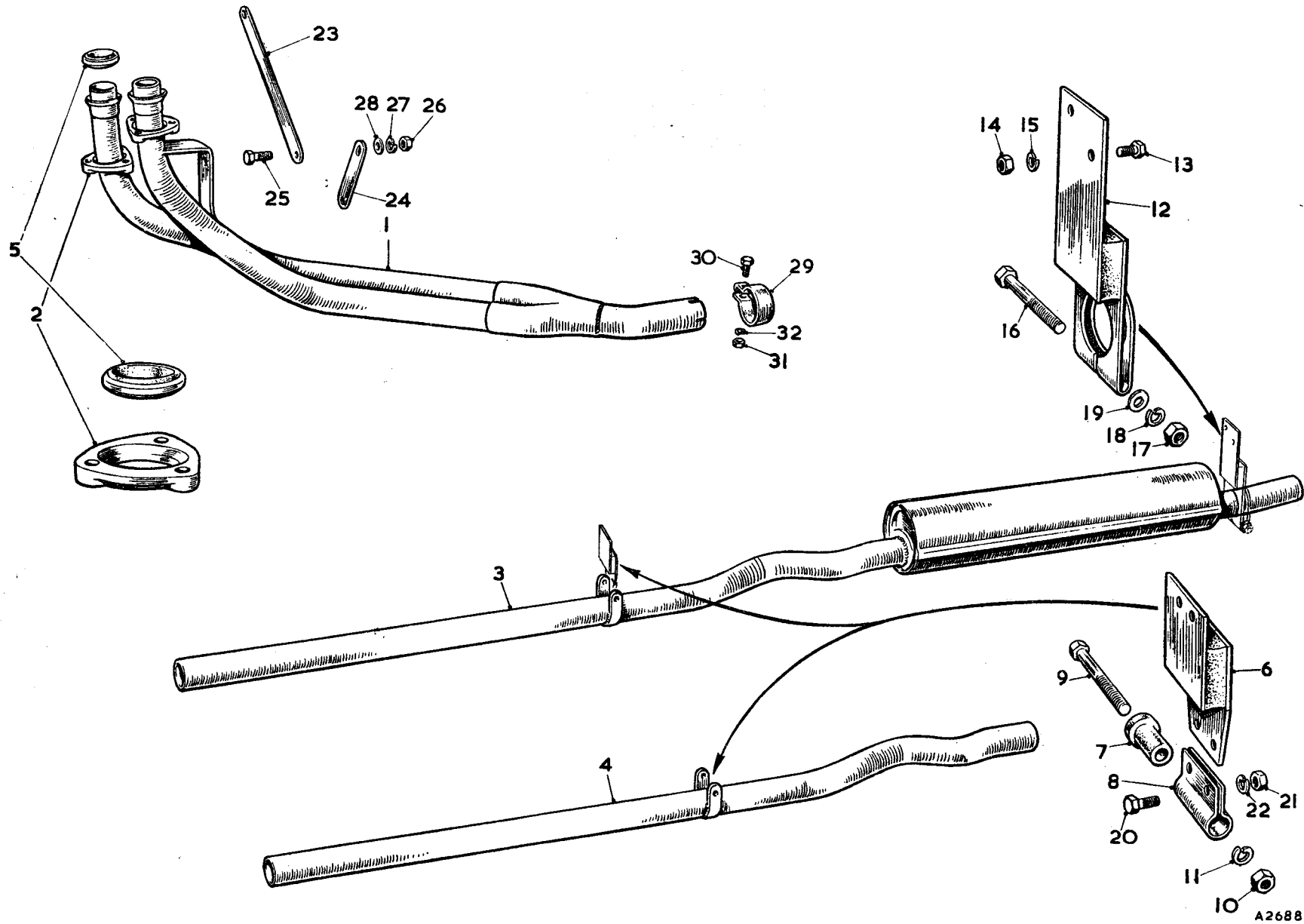




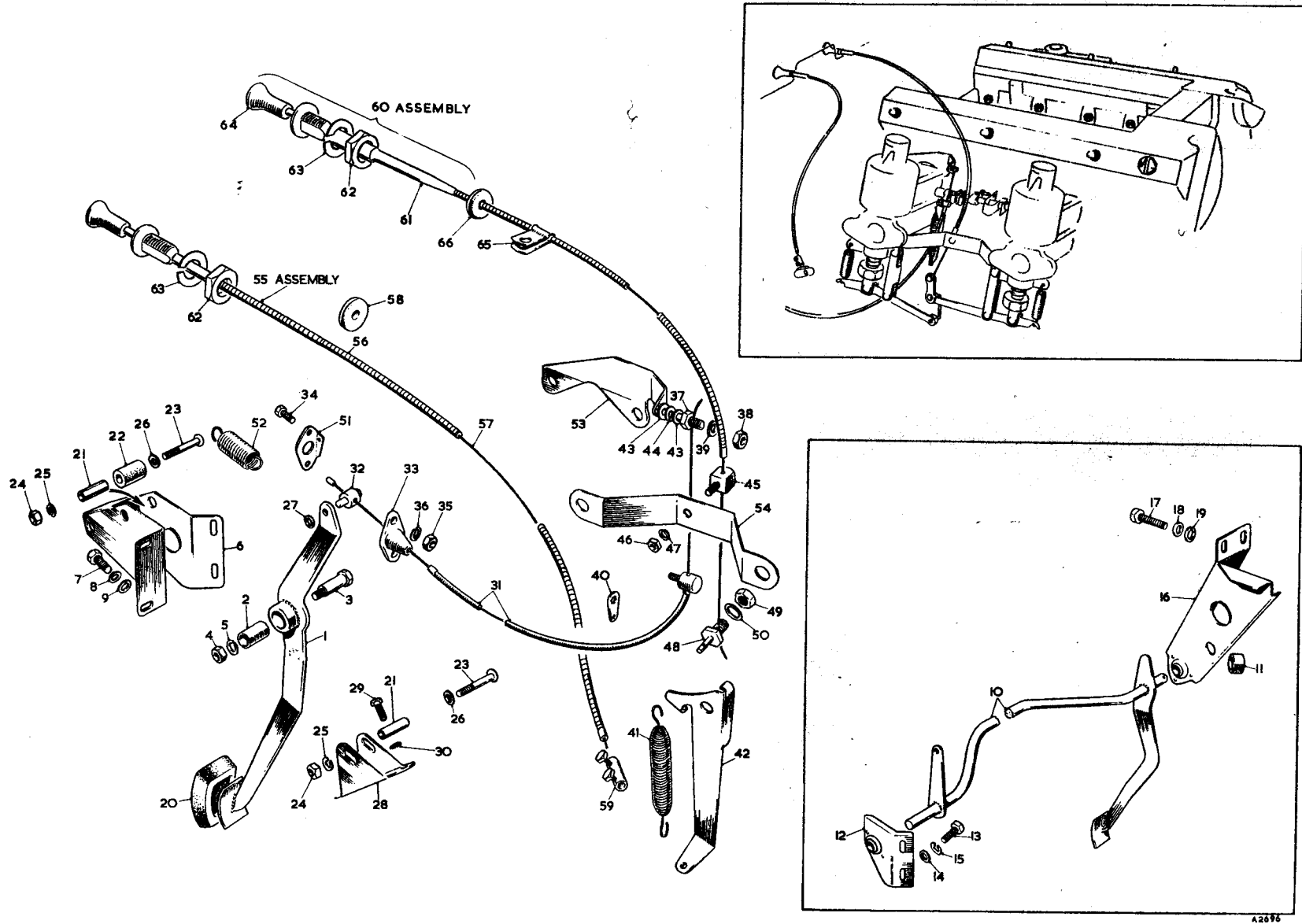
A2690

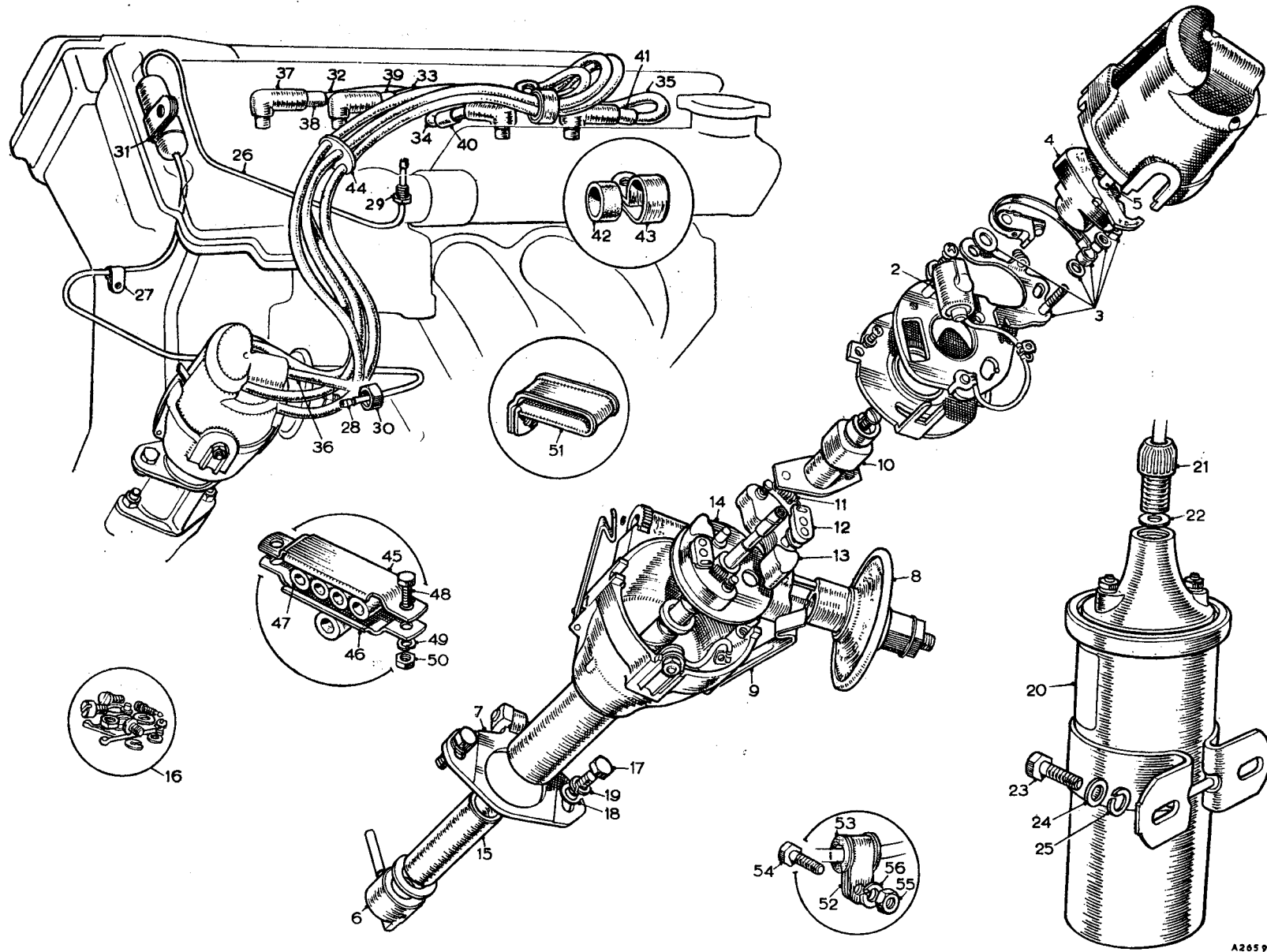


A2686

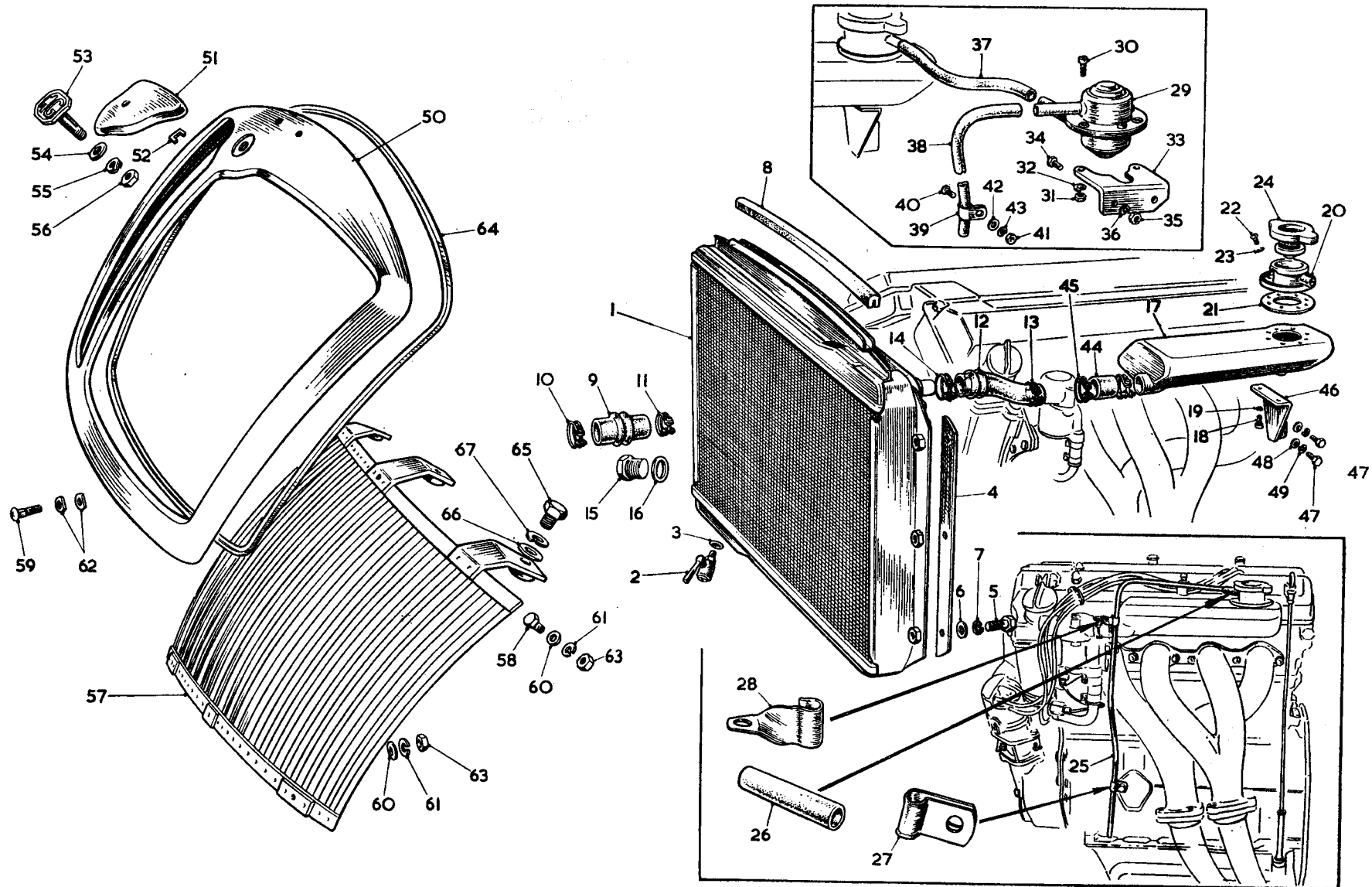


A2688

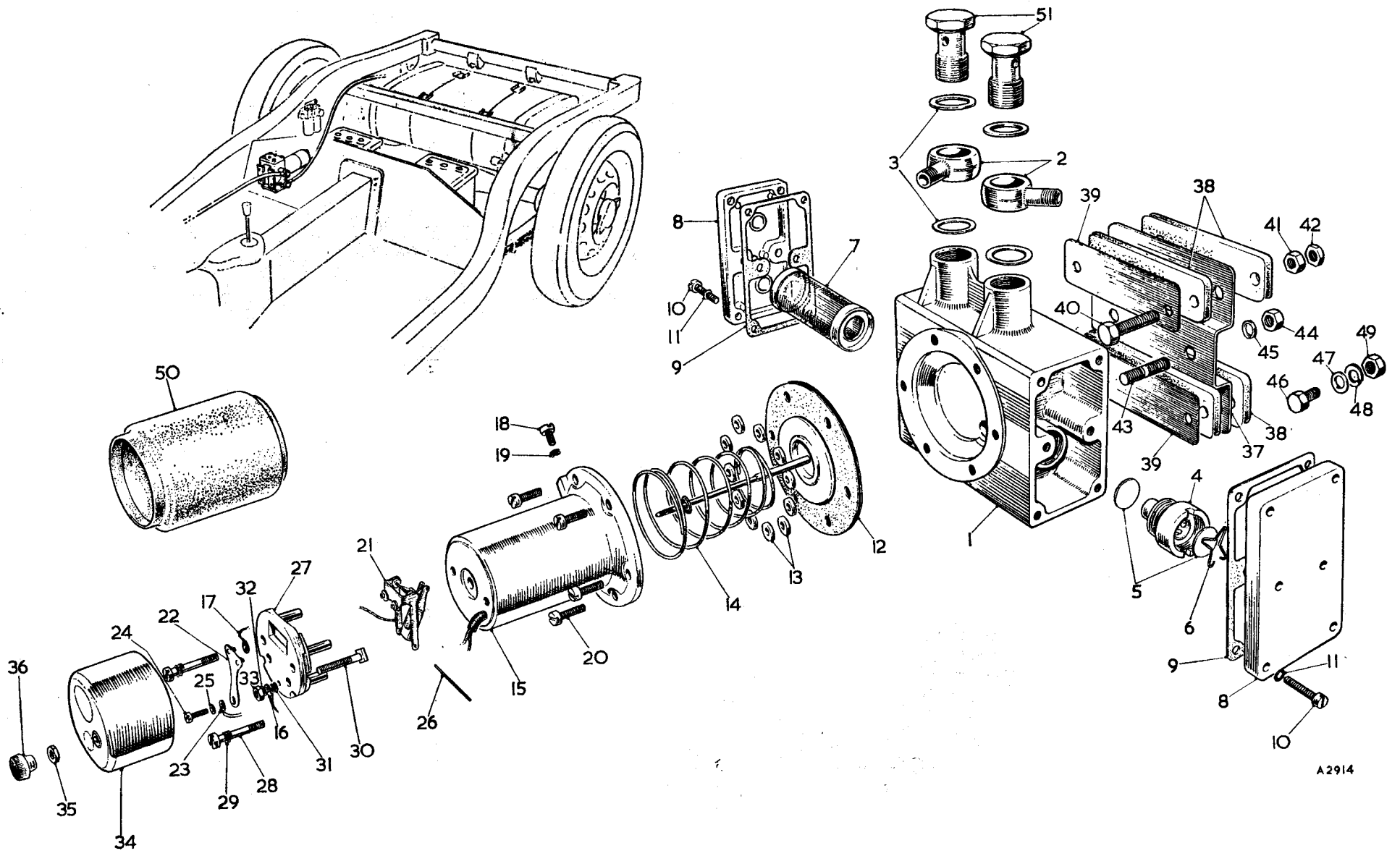




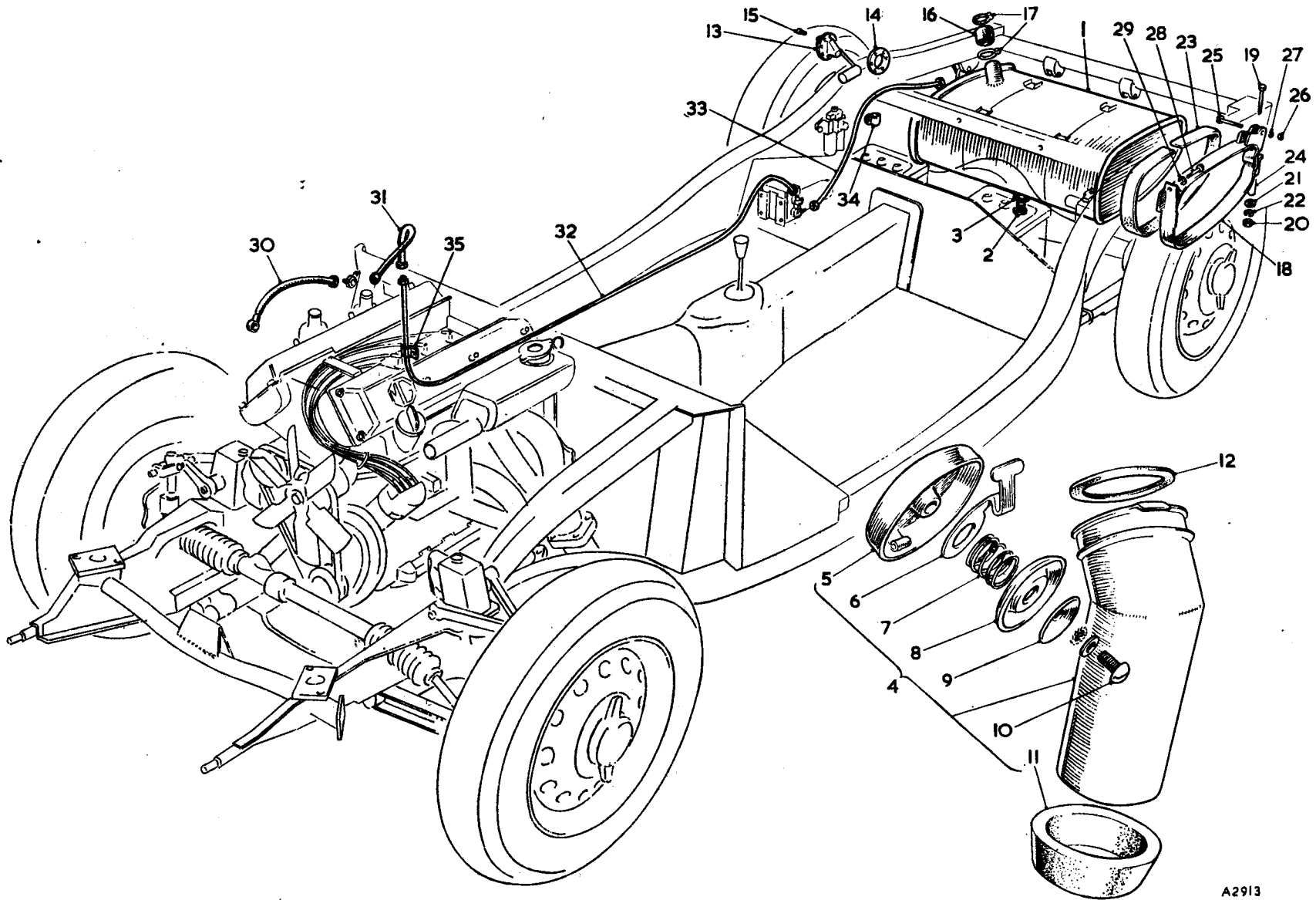
A2659



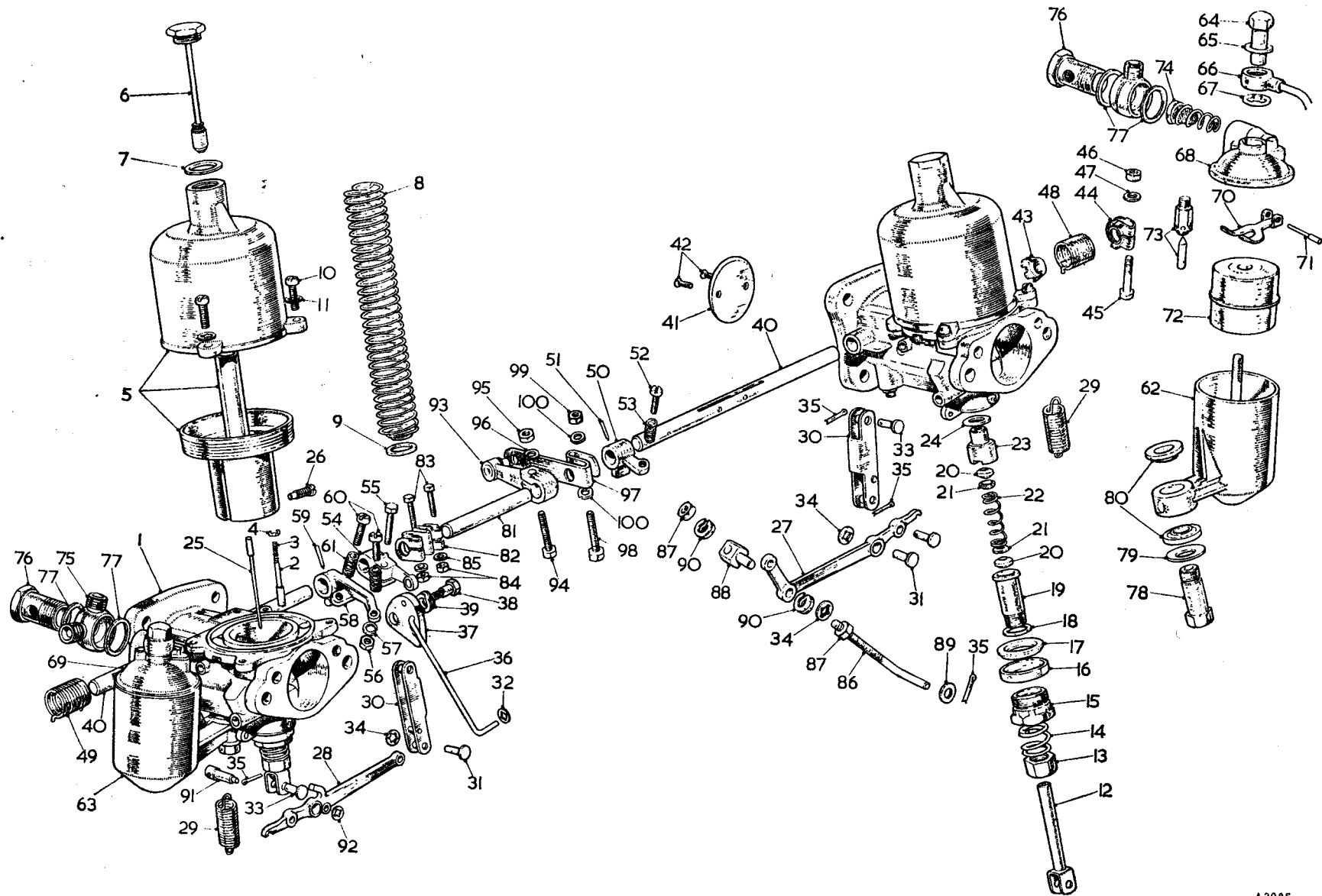
A3065



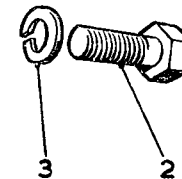
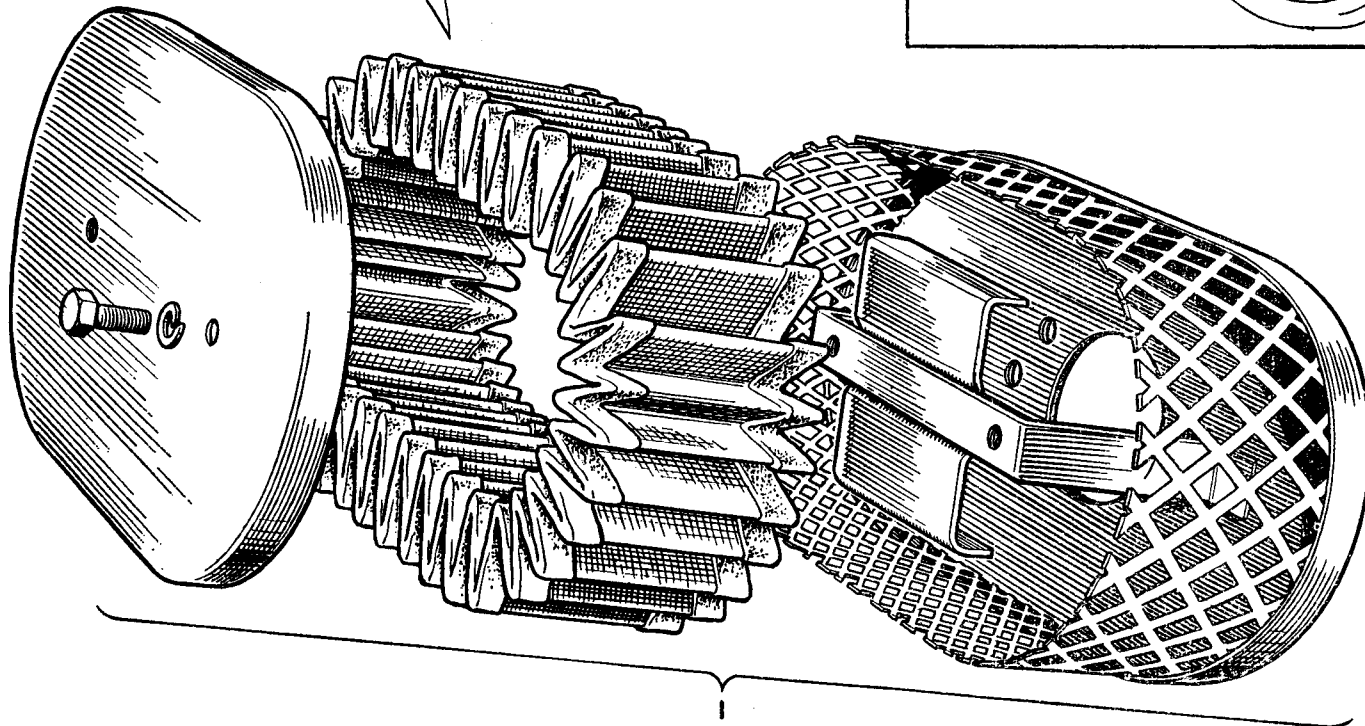
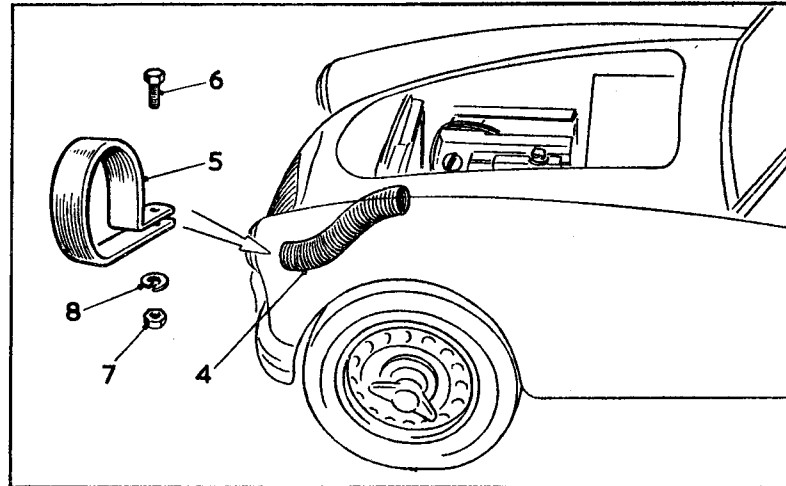
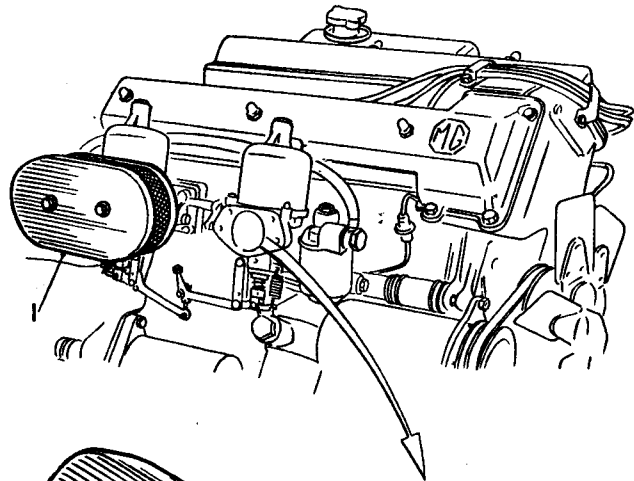
A2914



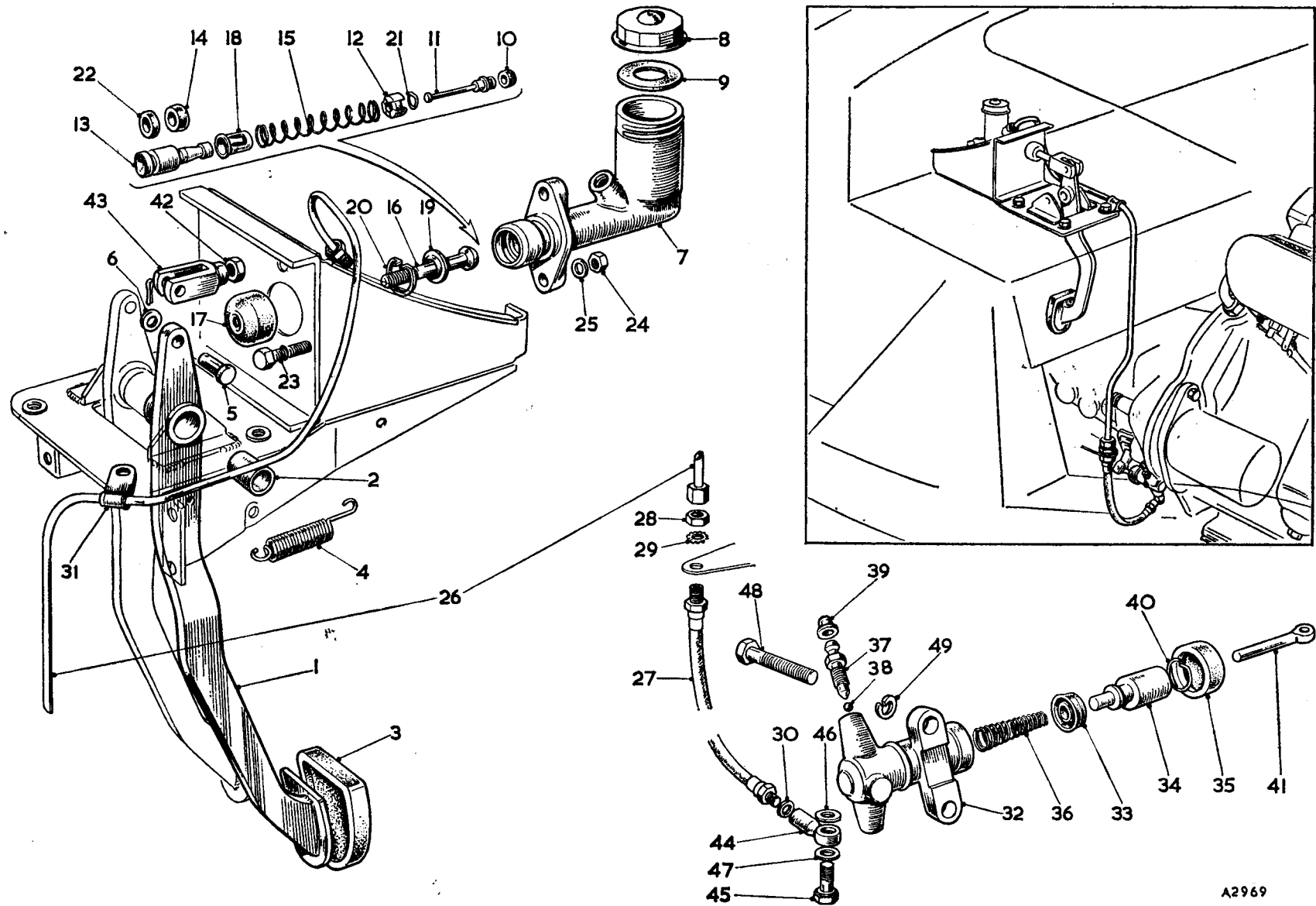
A2913



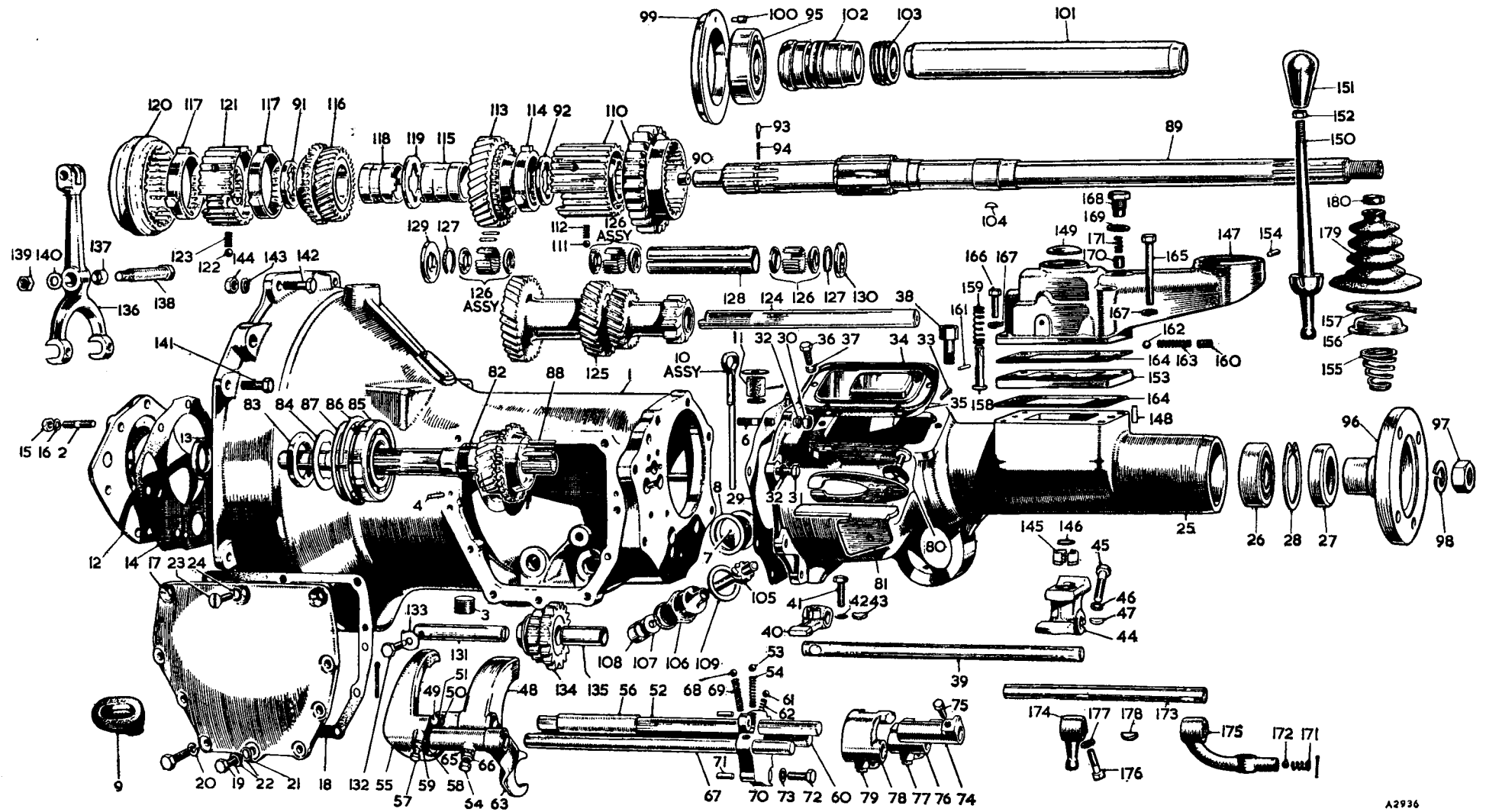
A2985



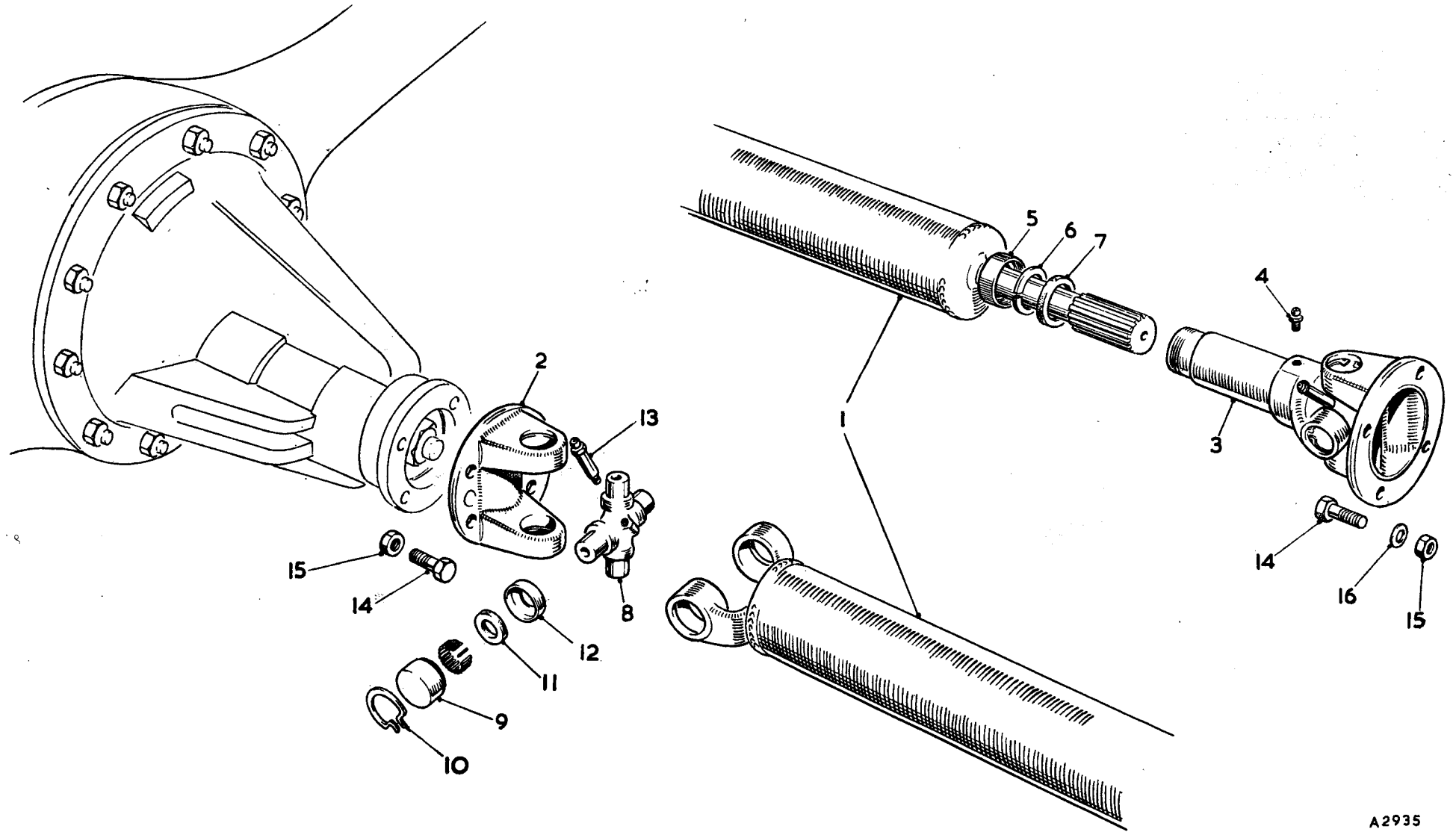
A2934



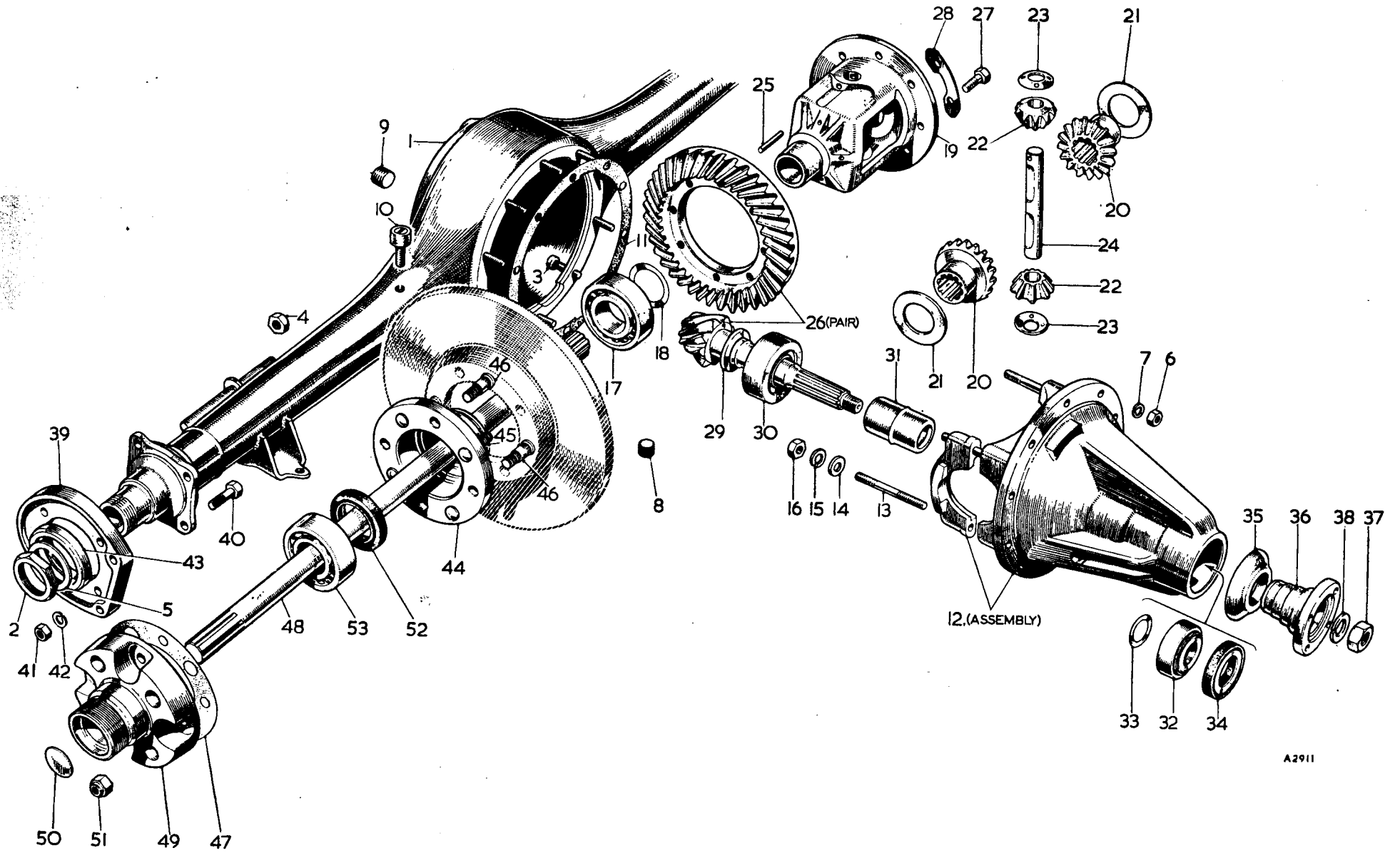
A2969



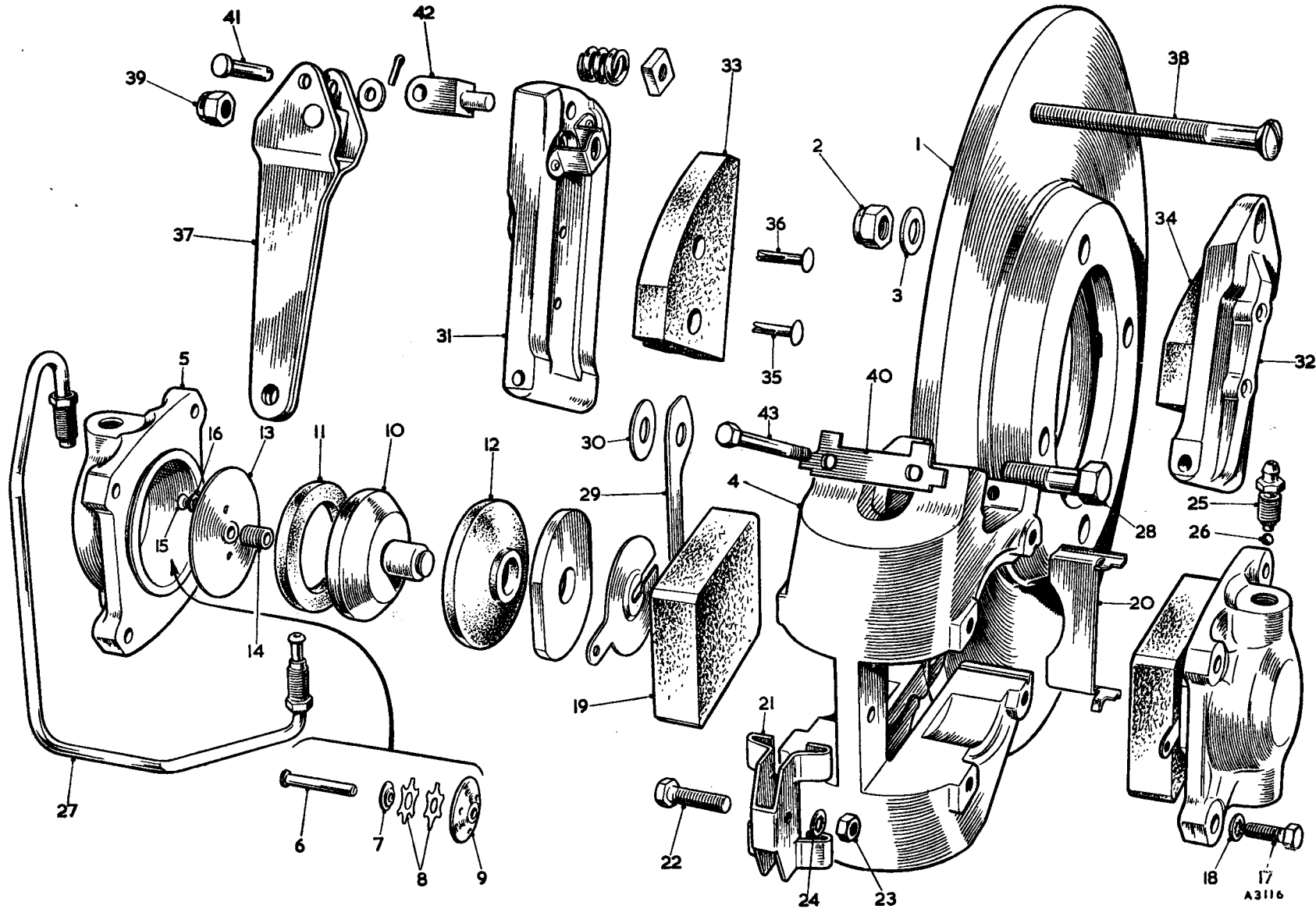
A2936

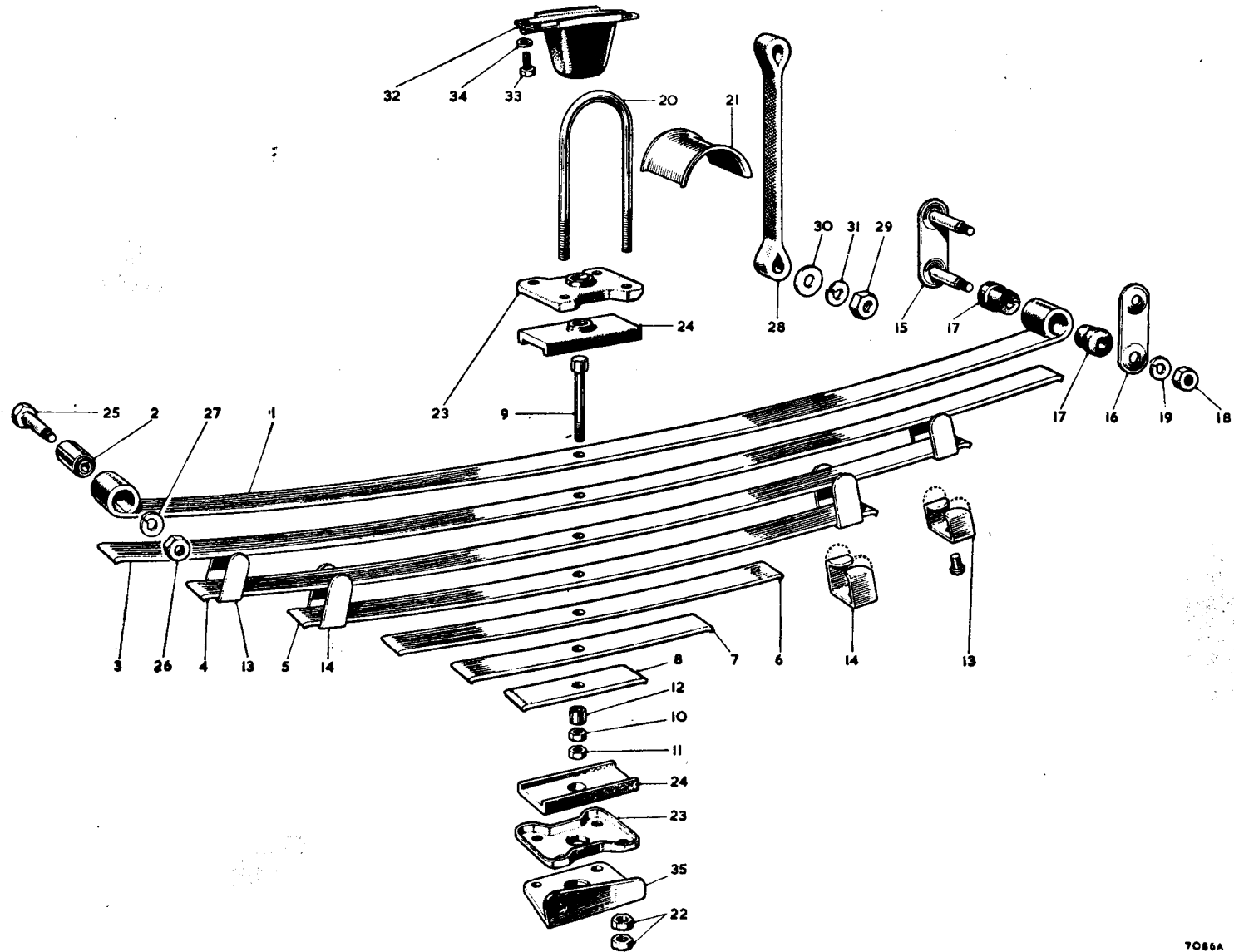


A2935

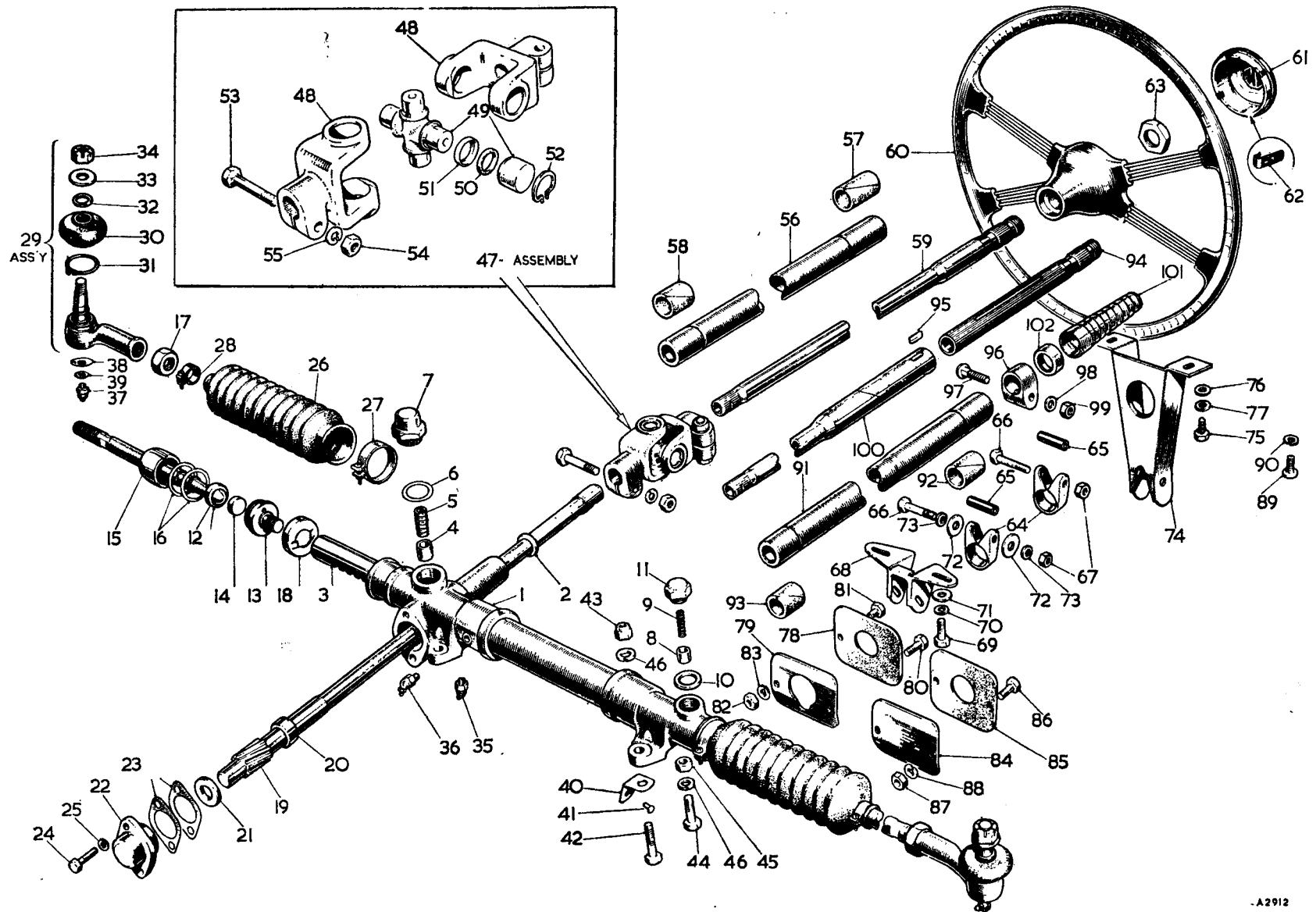


A2911

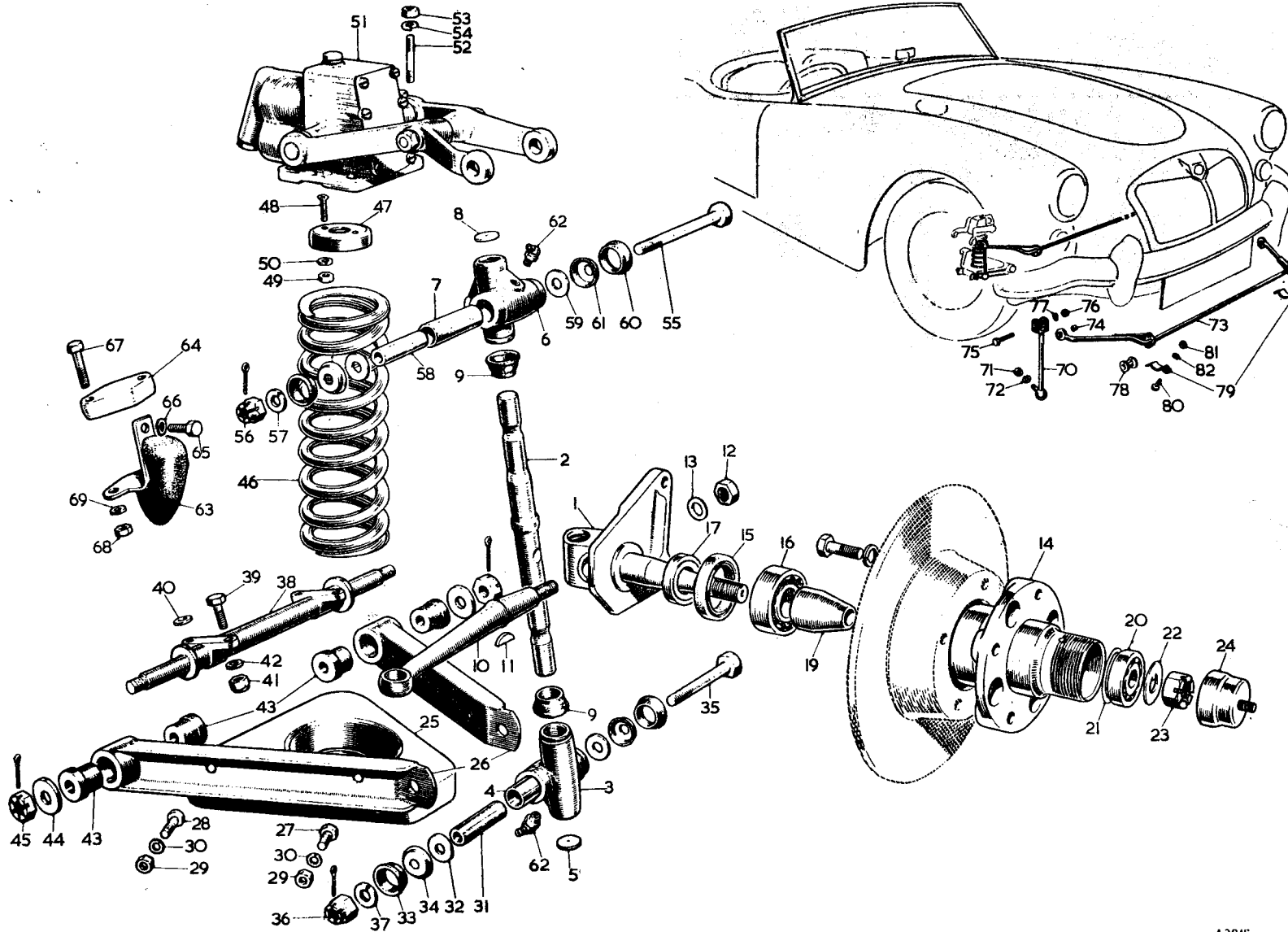




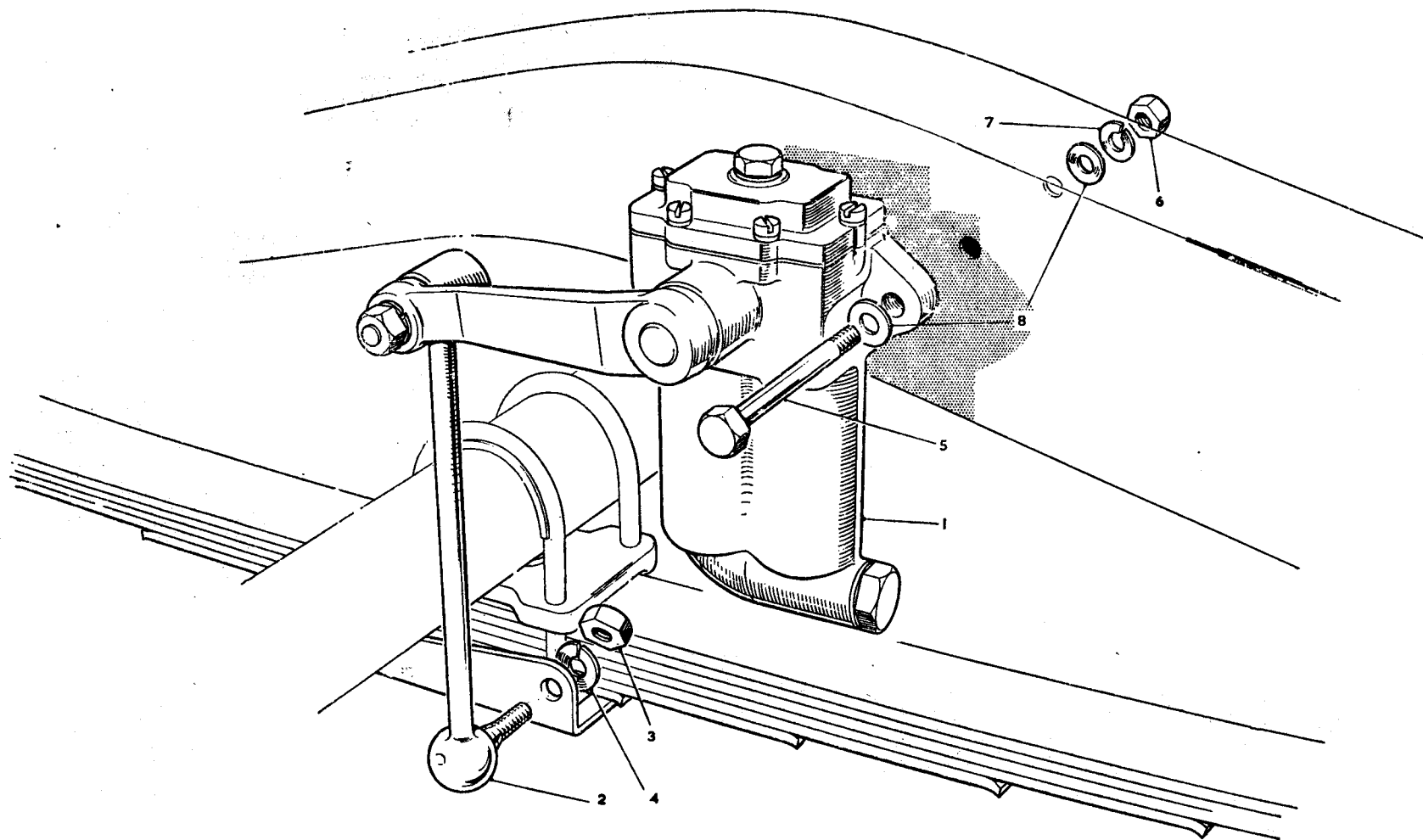
7086A



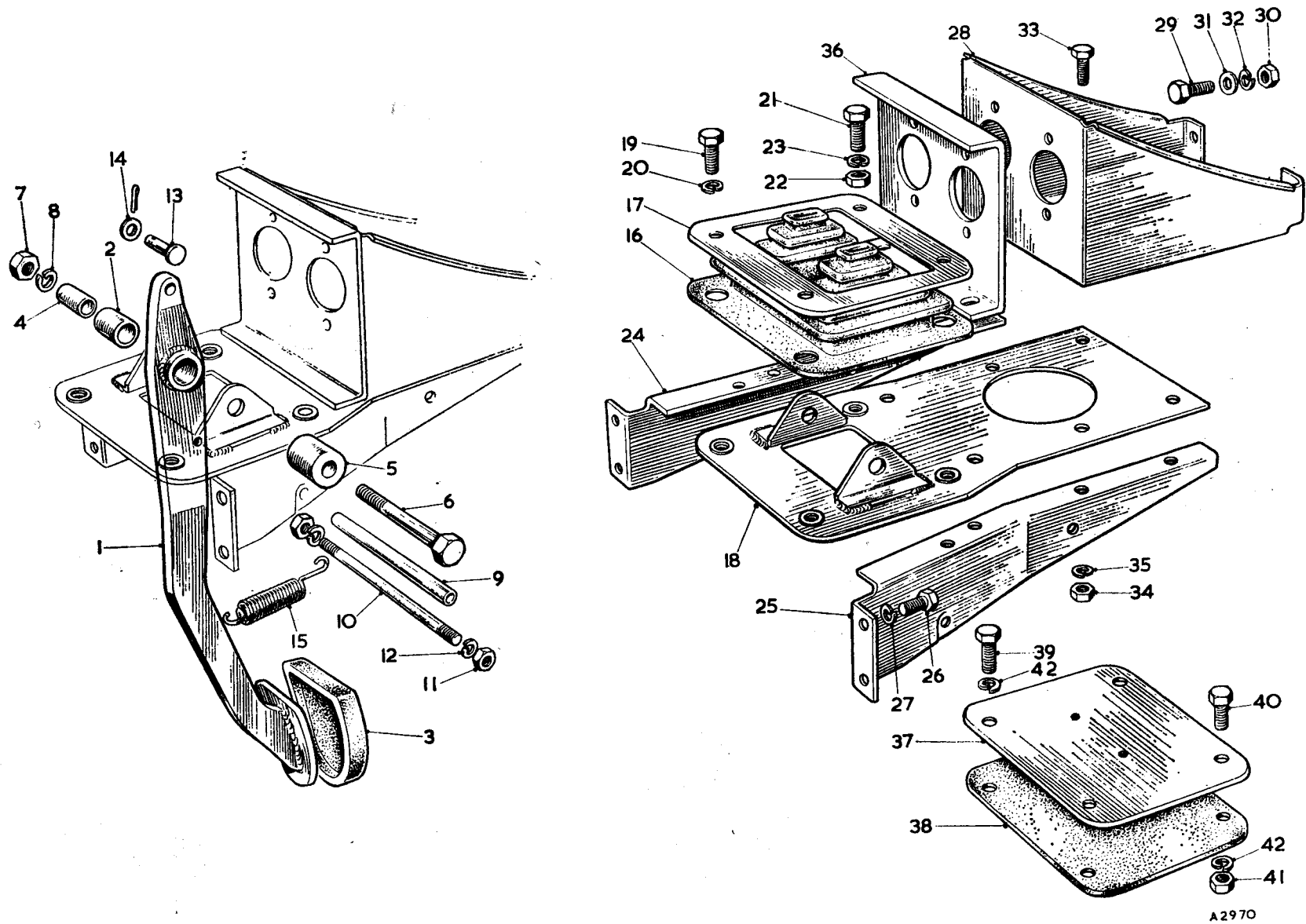
A2912



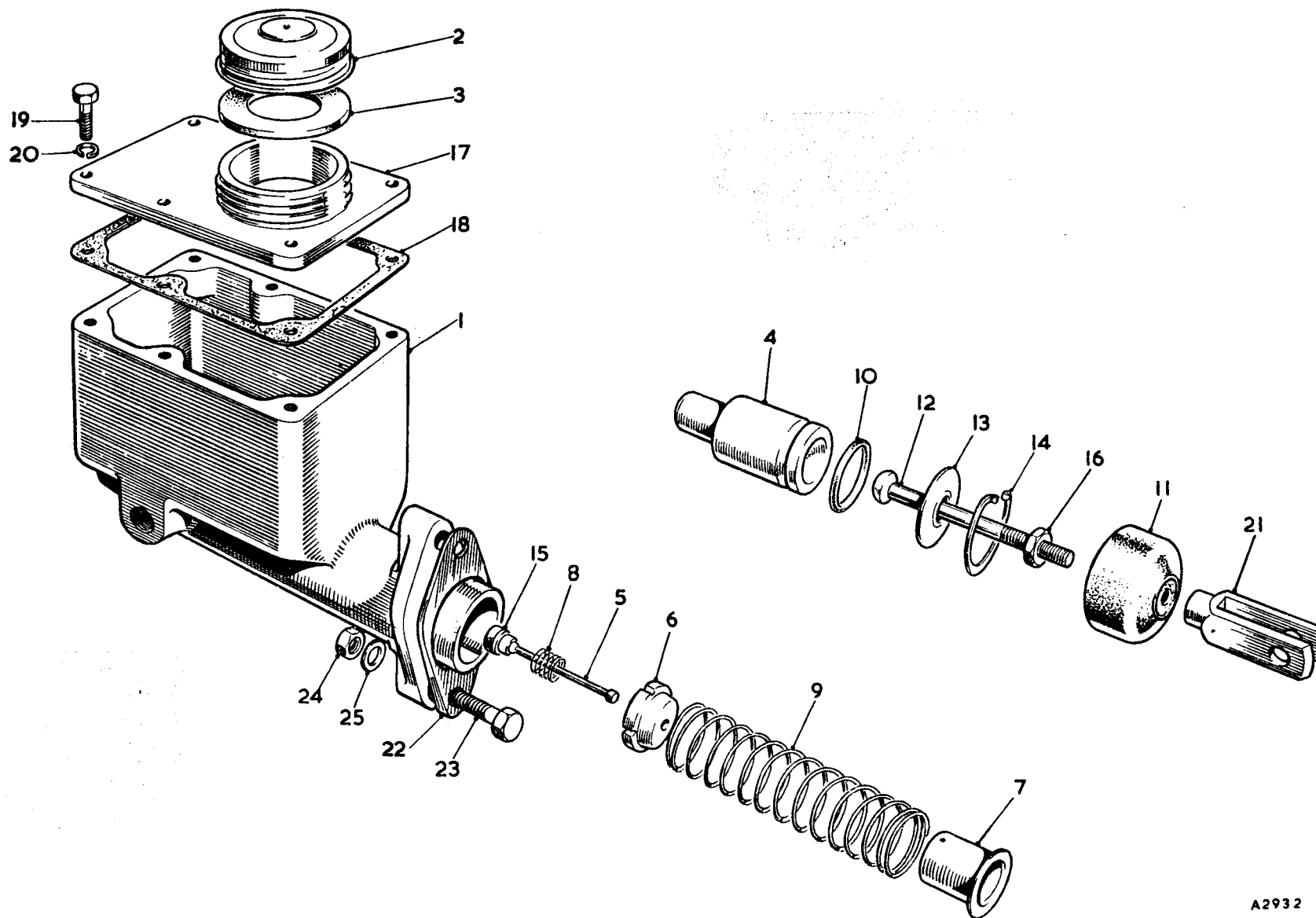
A2915



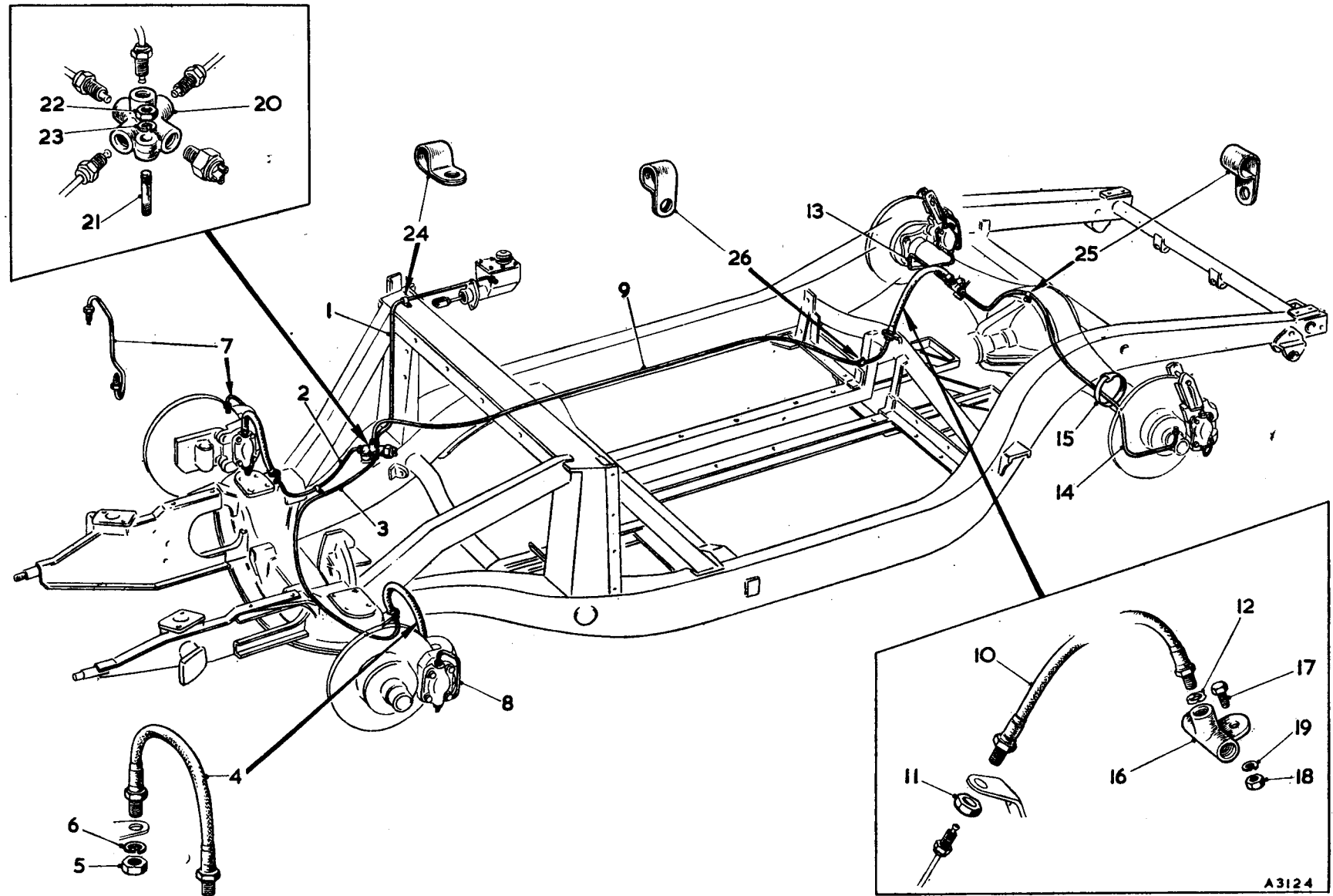
A2140

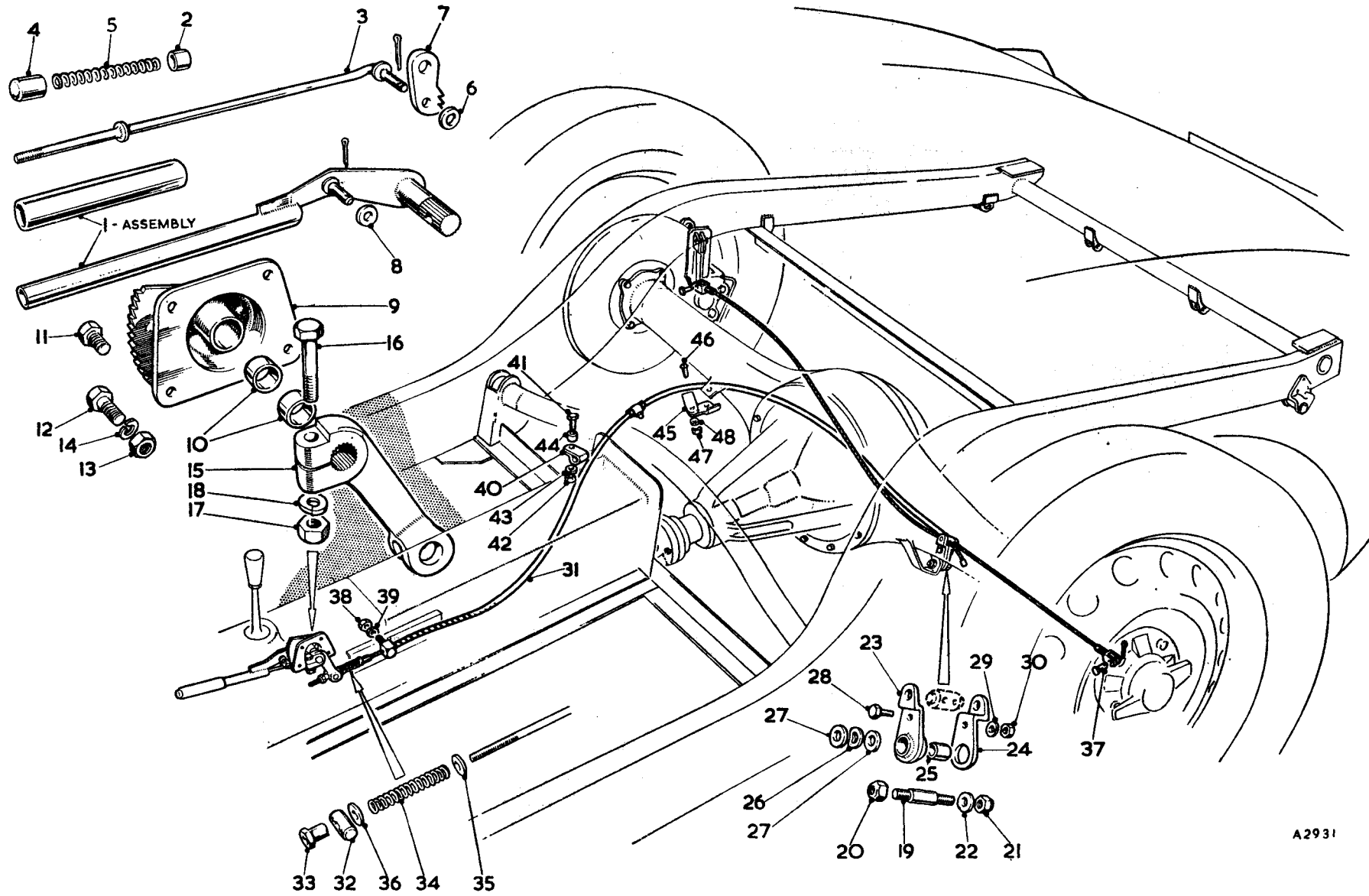


A2970

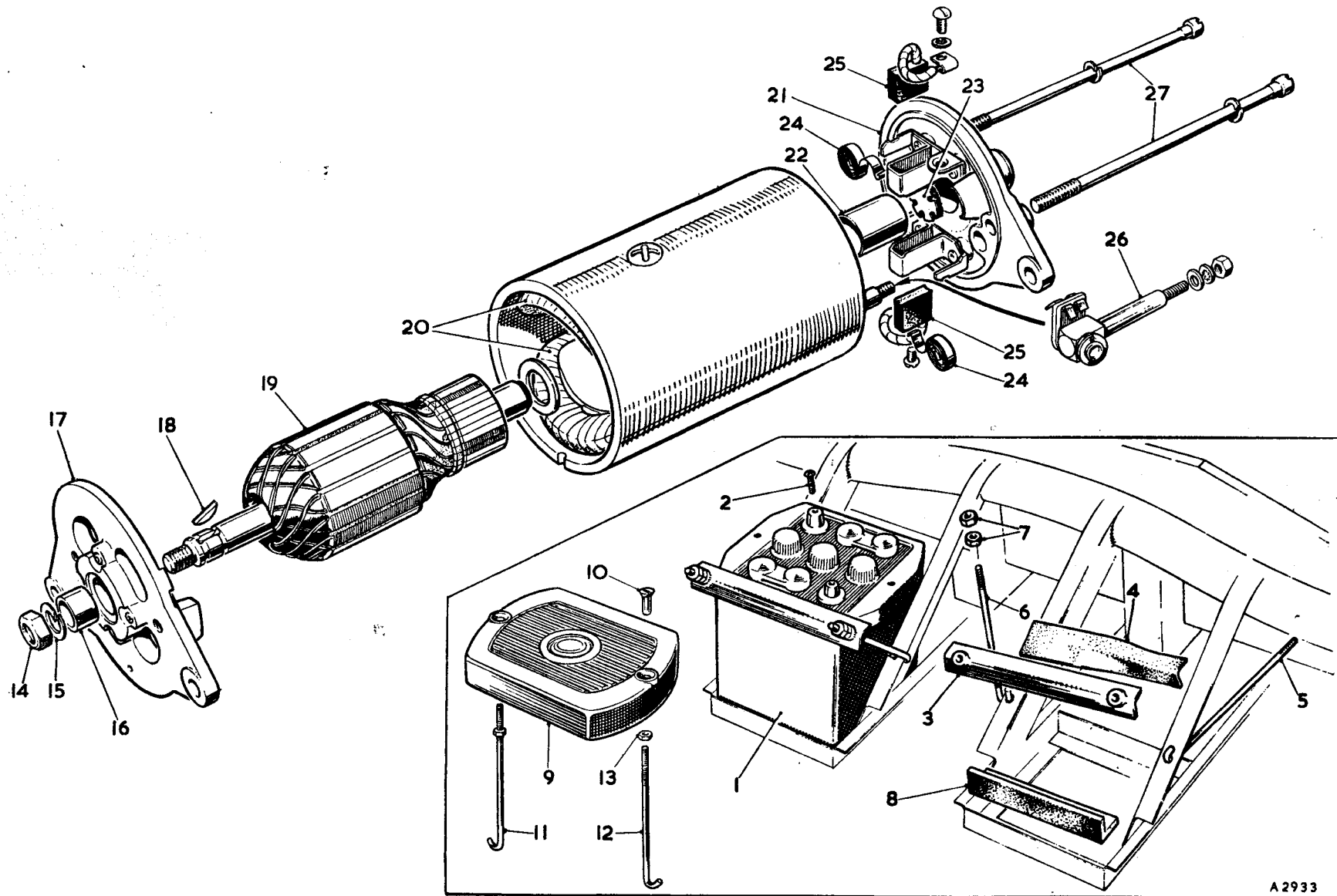


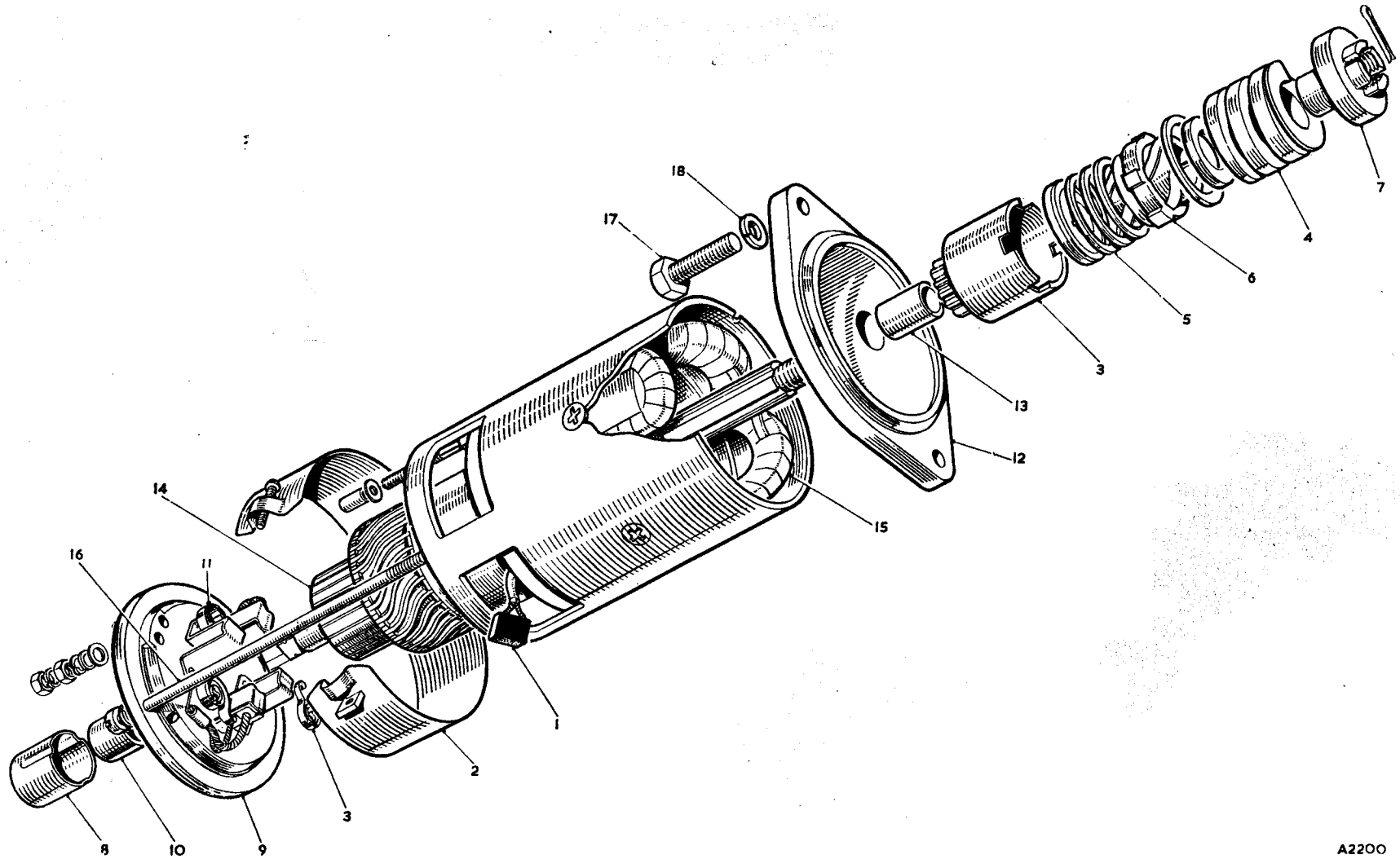
A2932



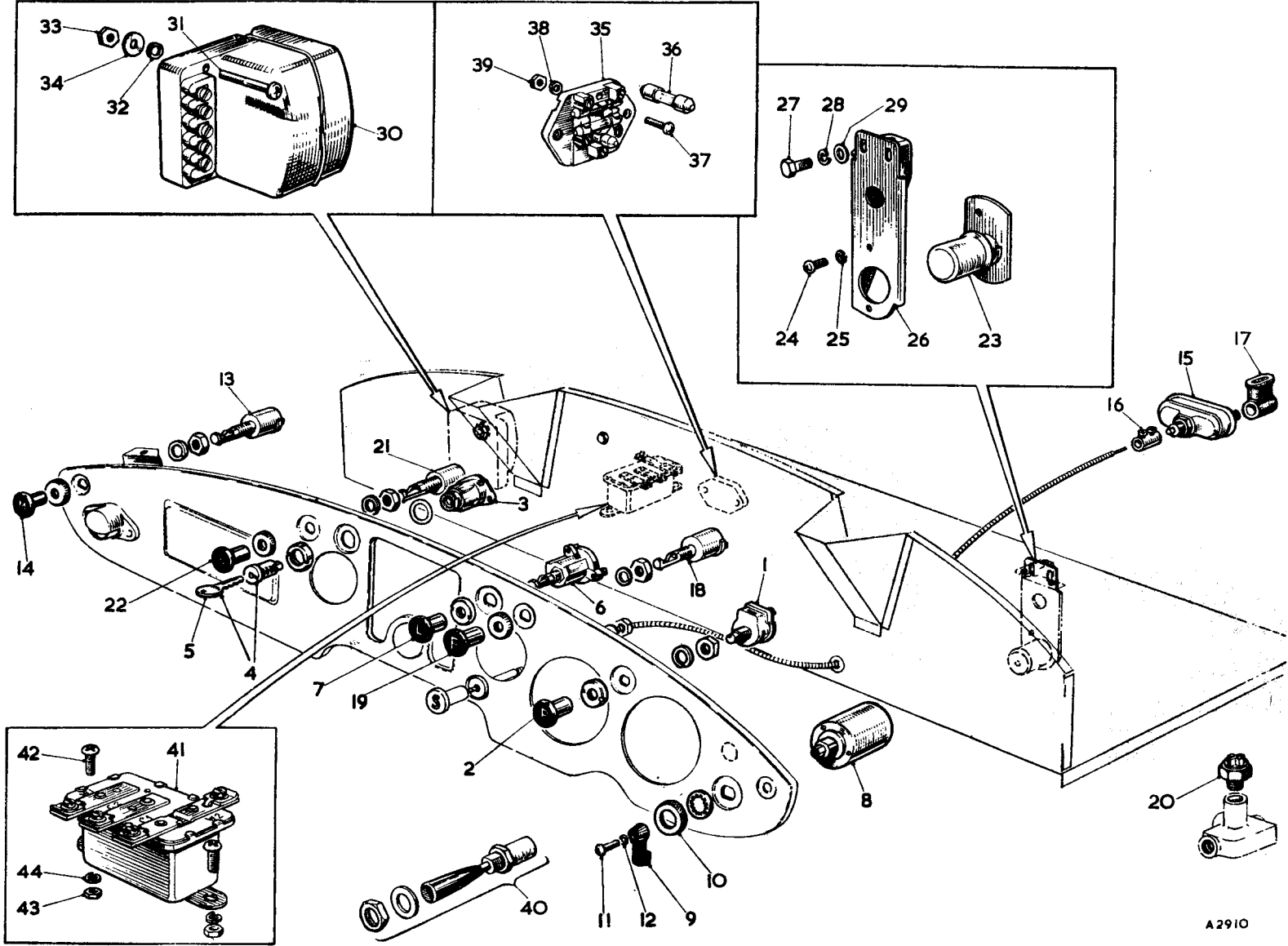


A2931

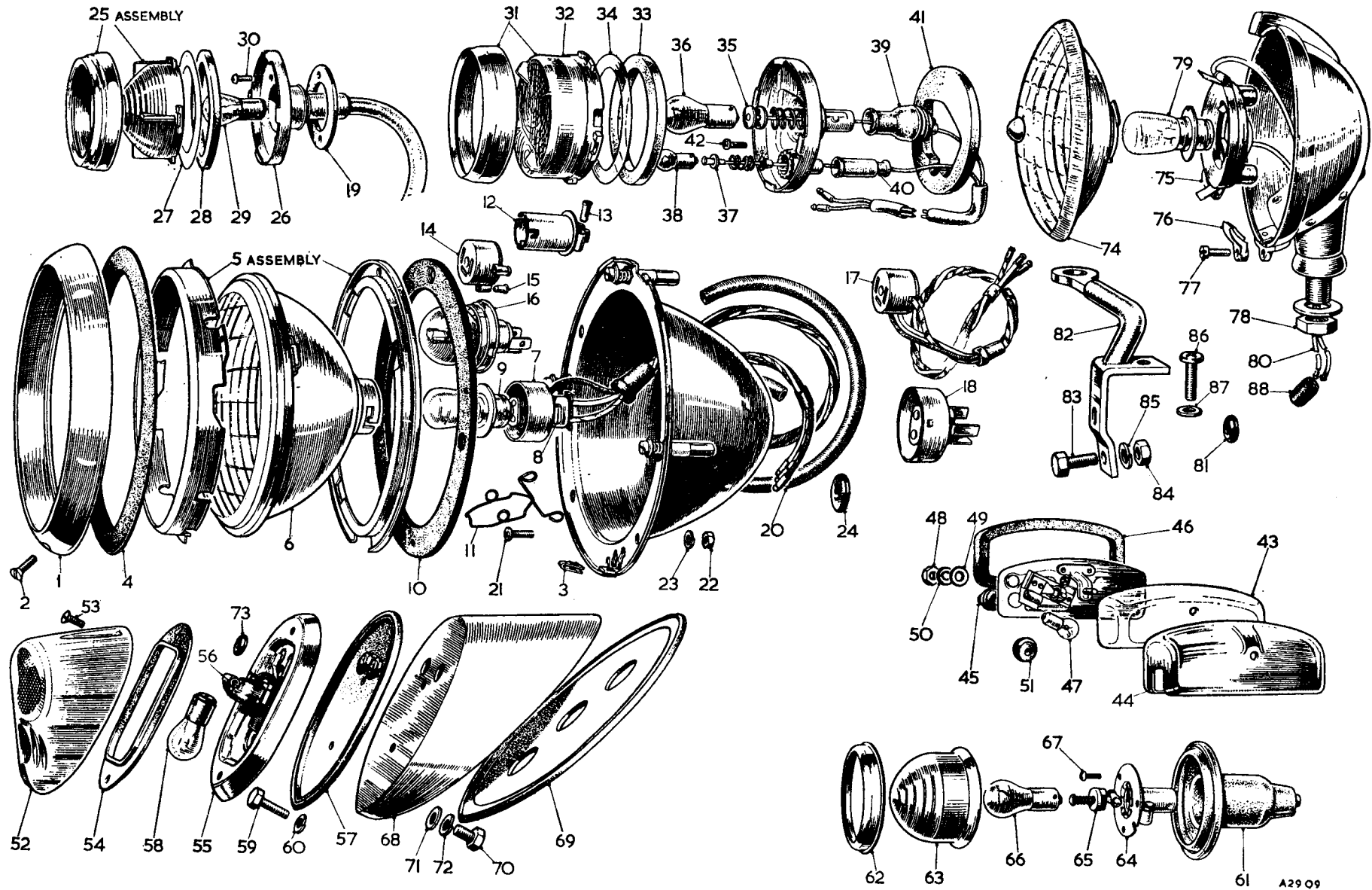




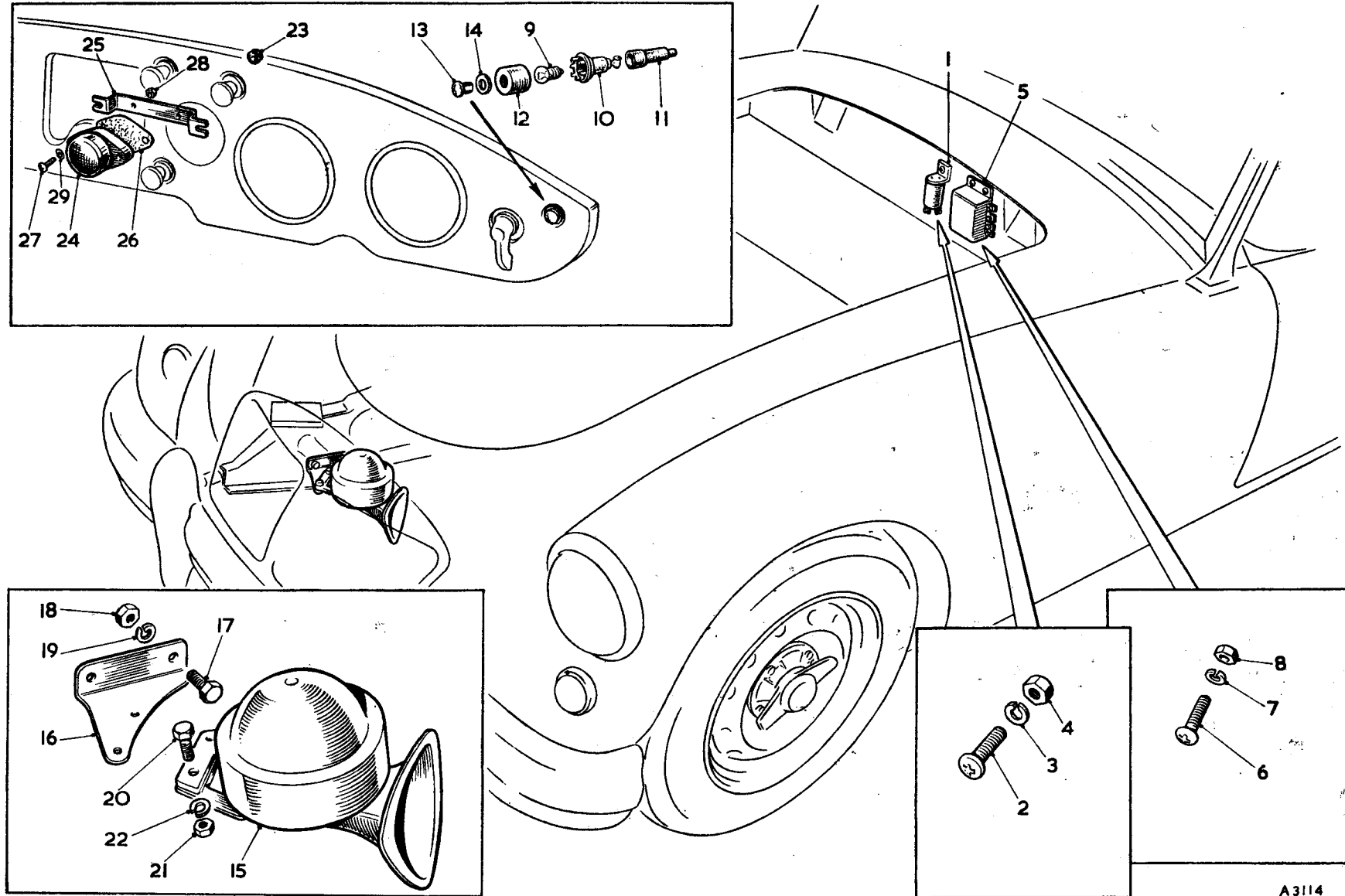
A2200



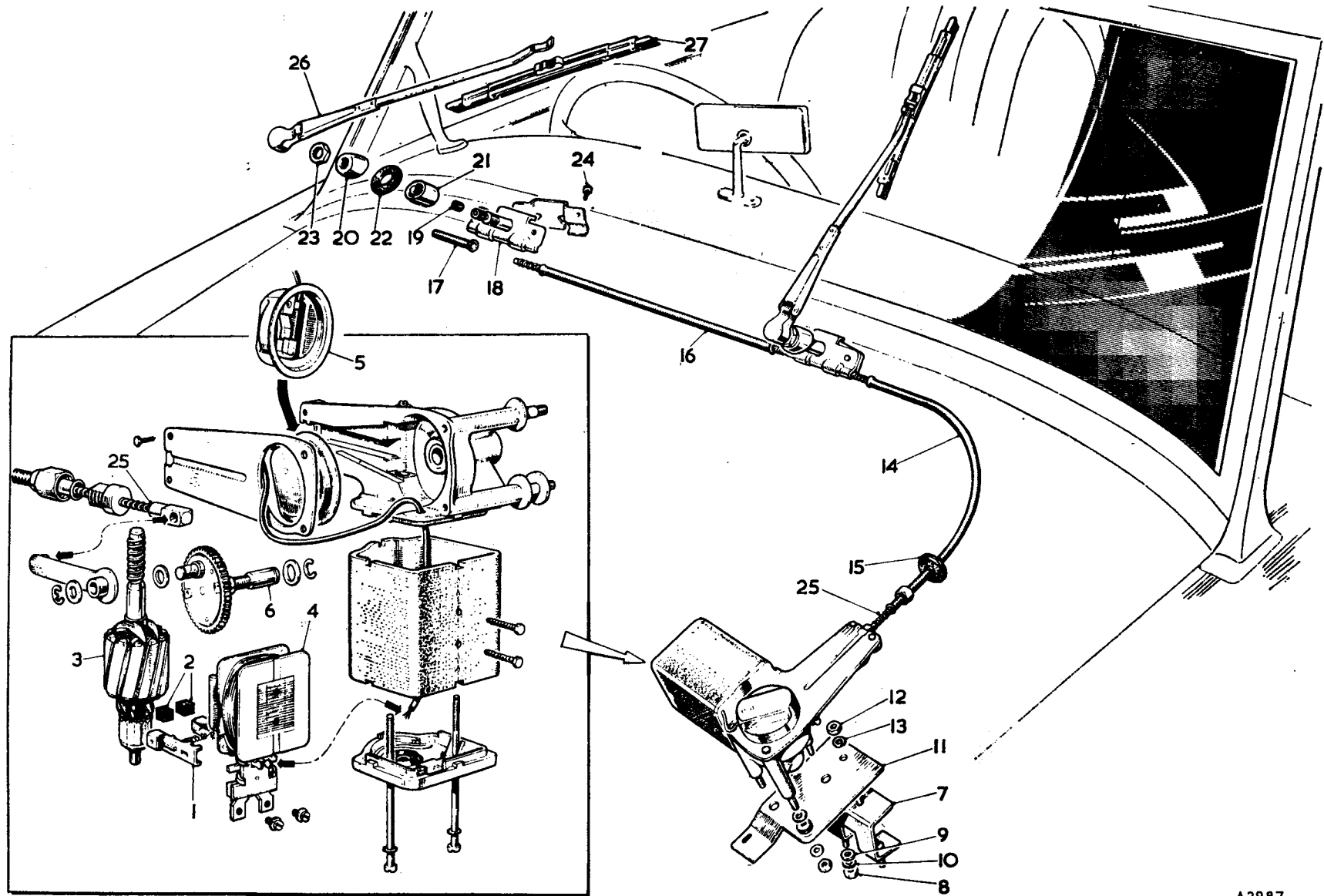
A2910



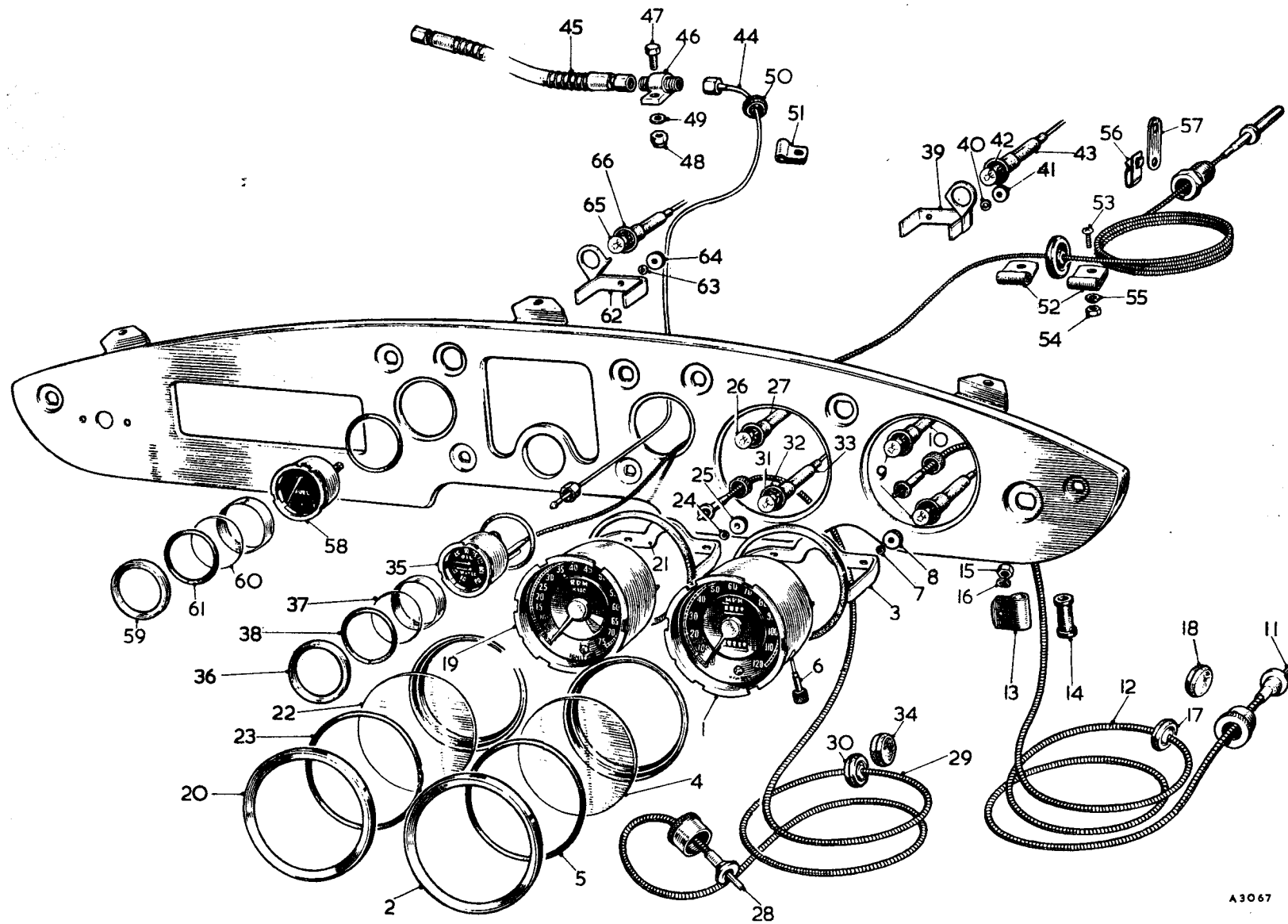
A2909



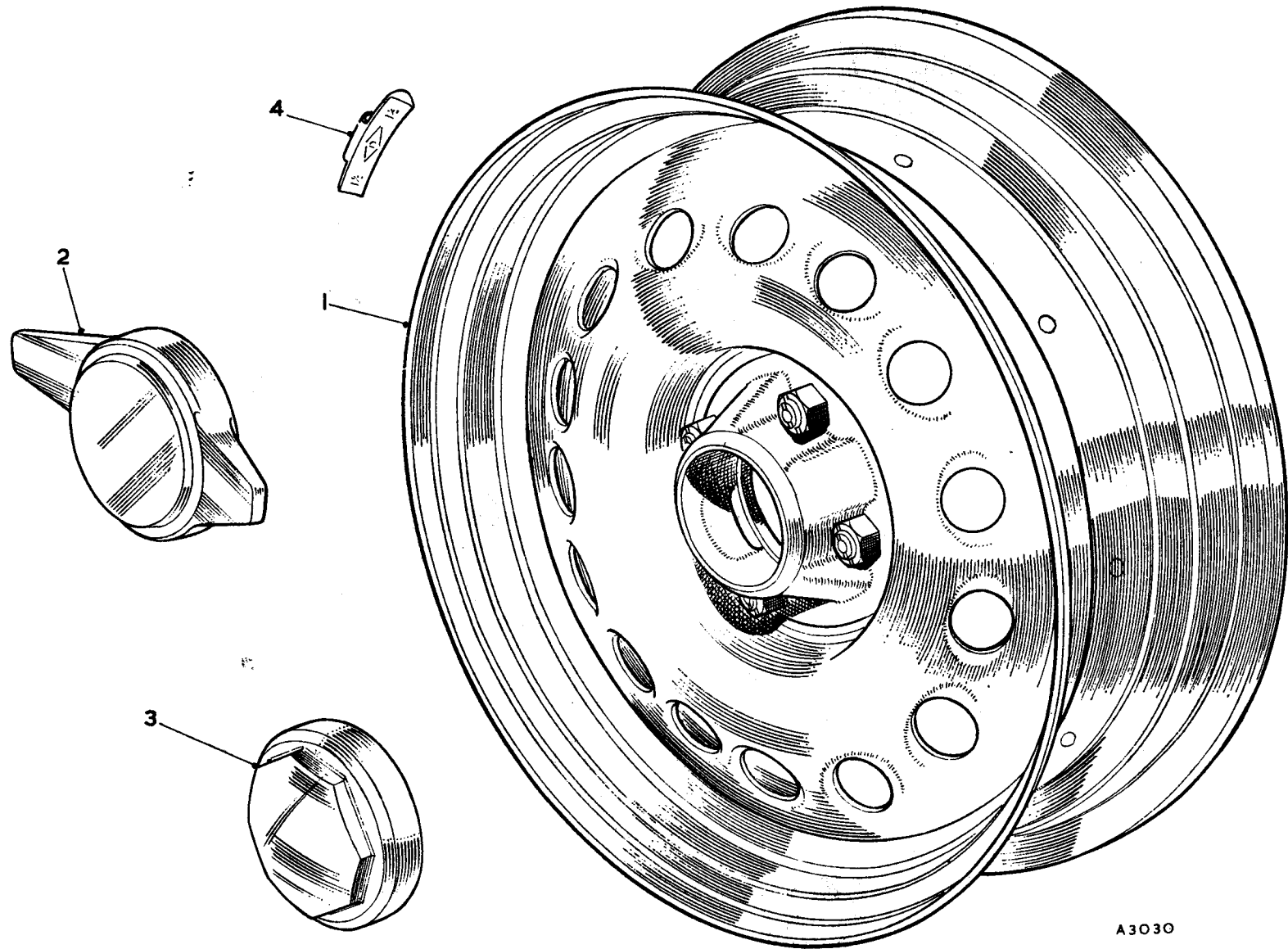
A3114



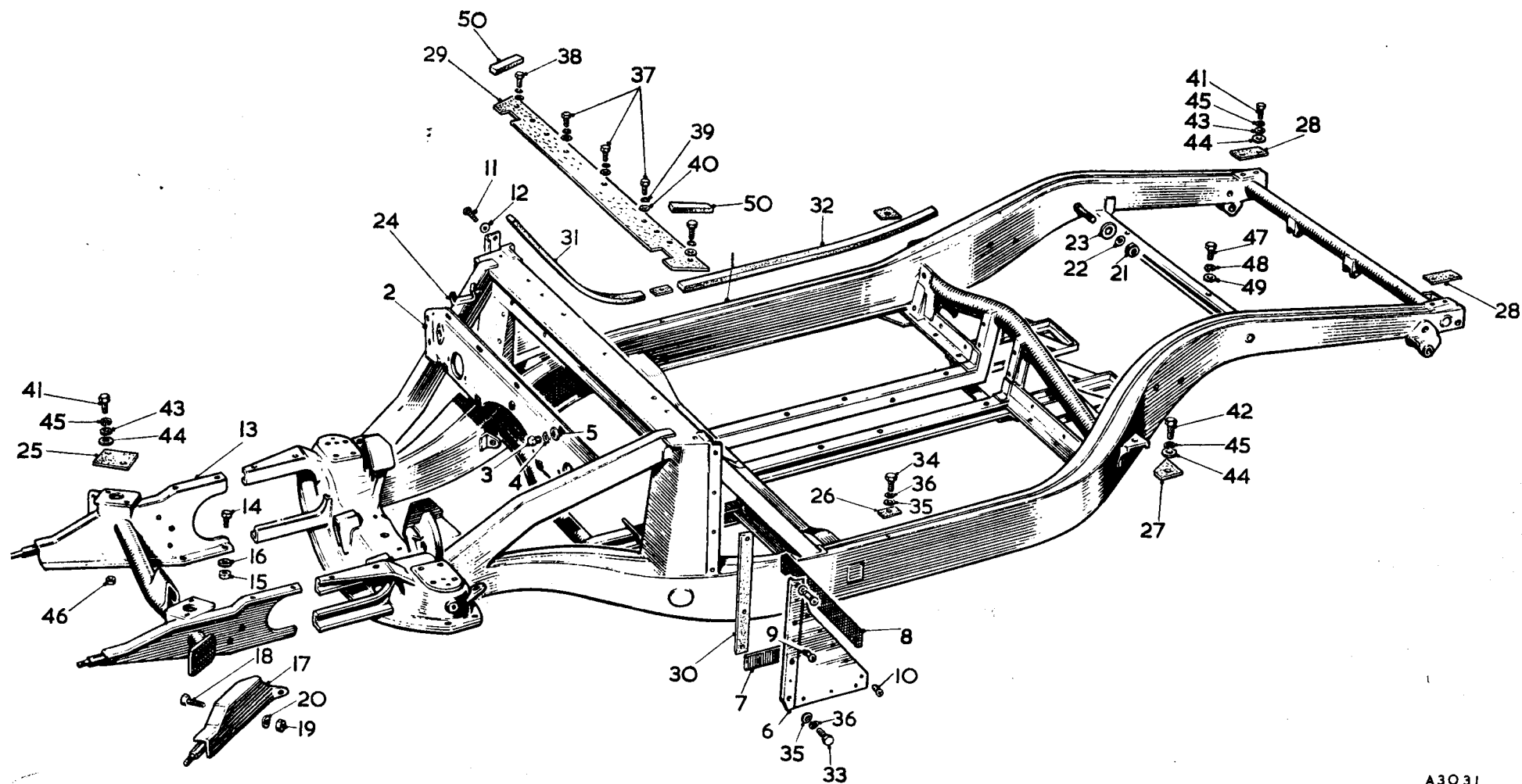
A2987



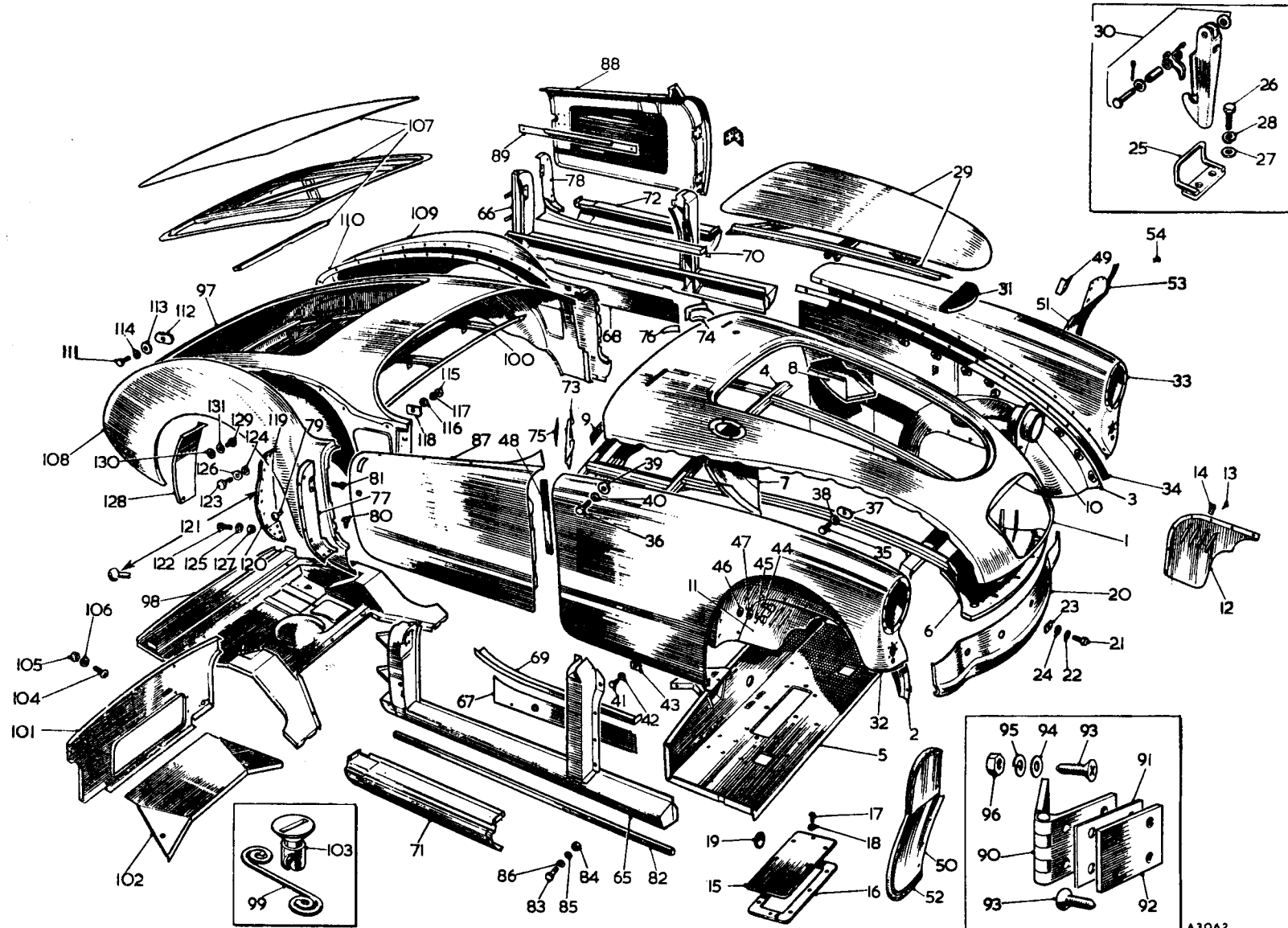
A3067



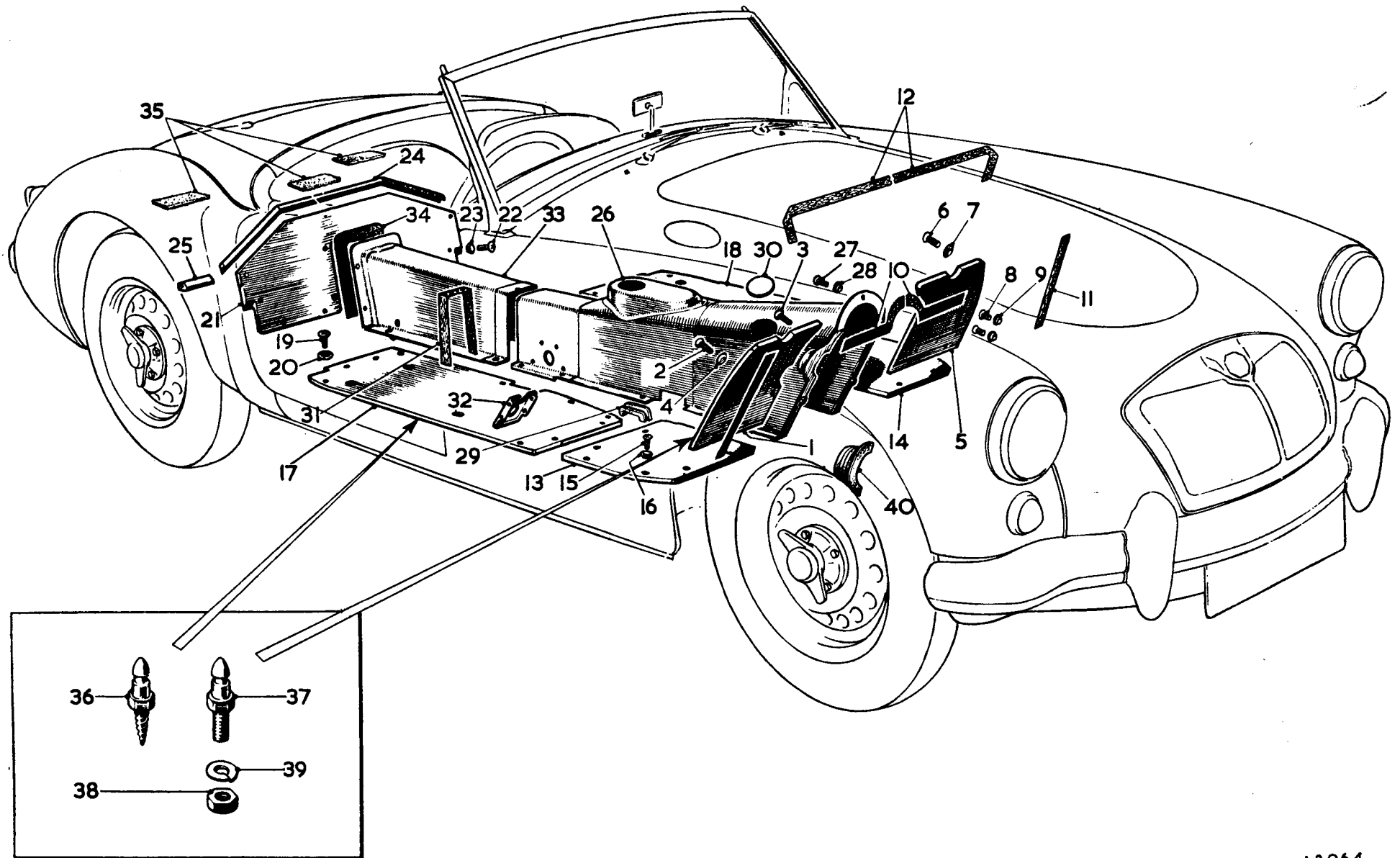
A3030



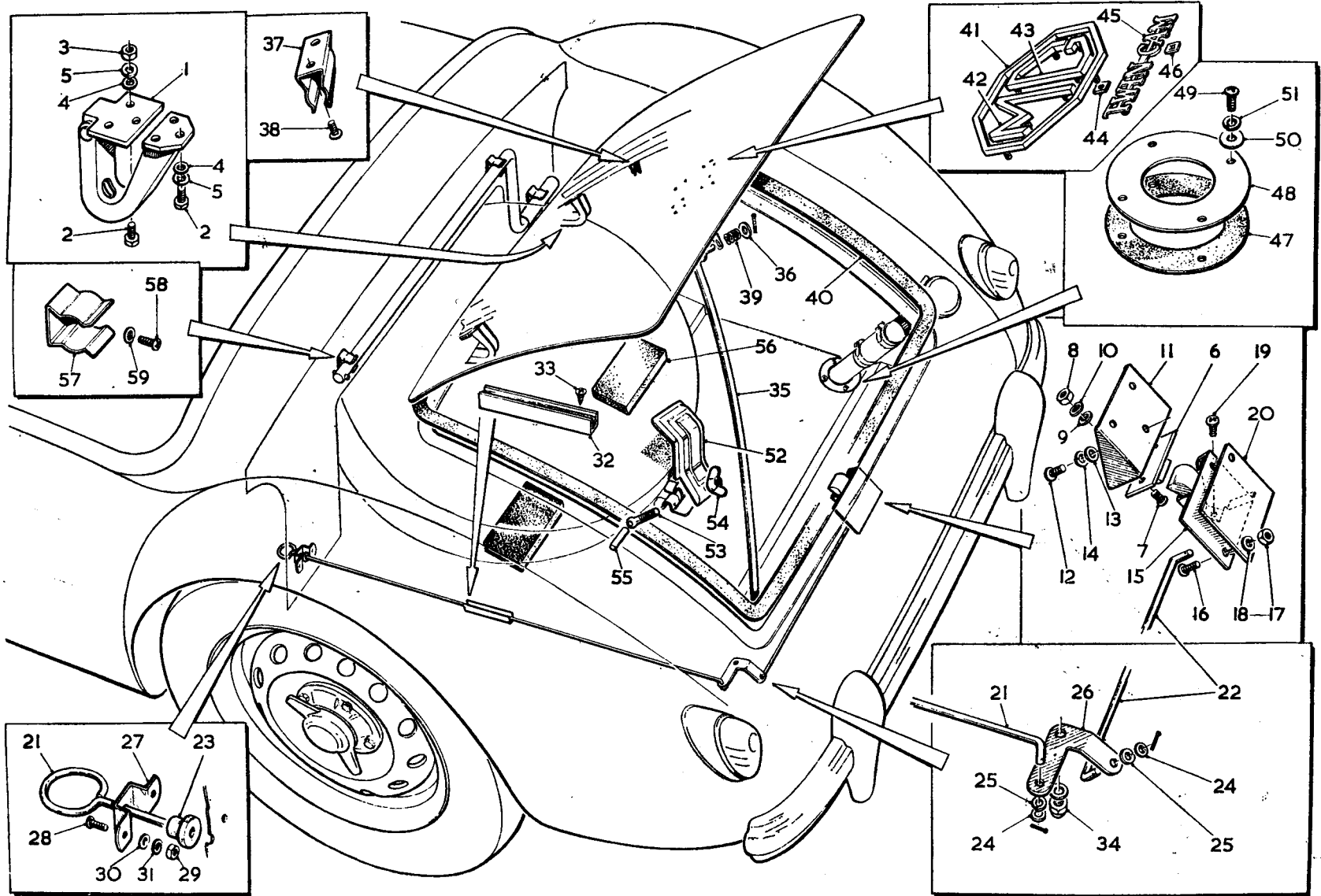
A3031



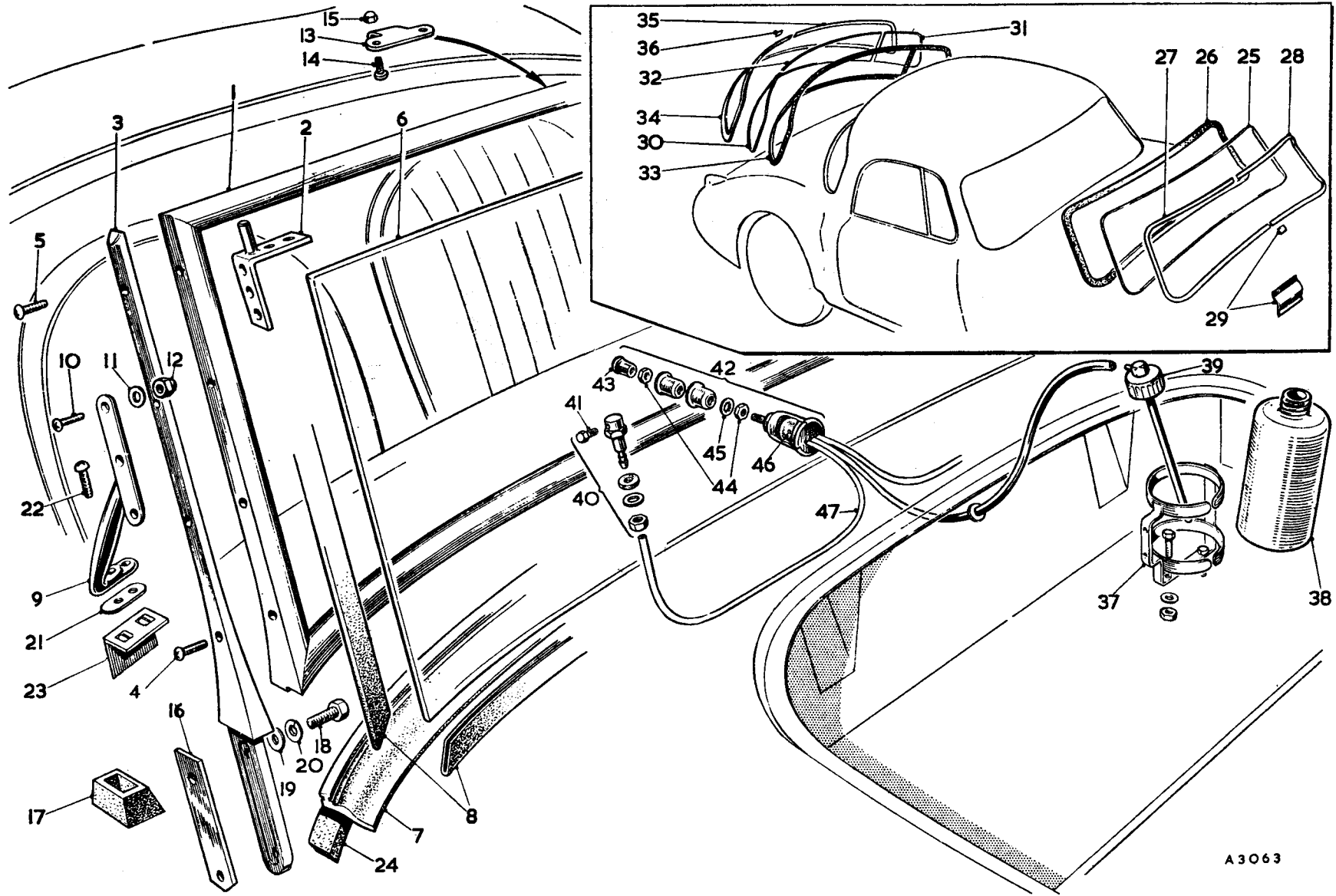
A3062



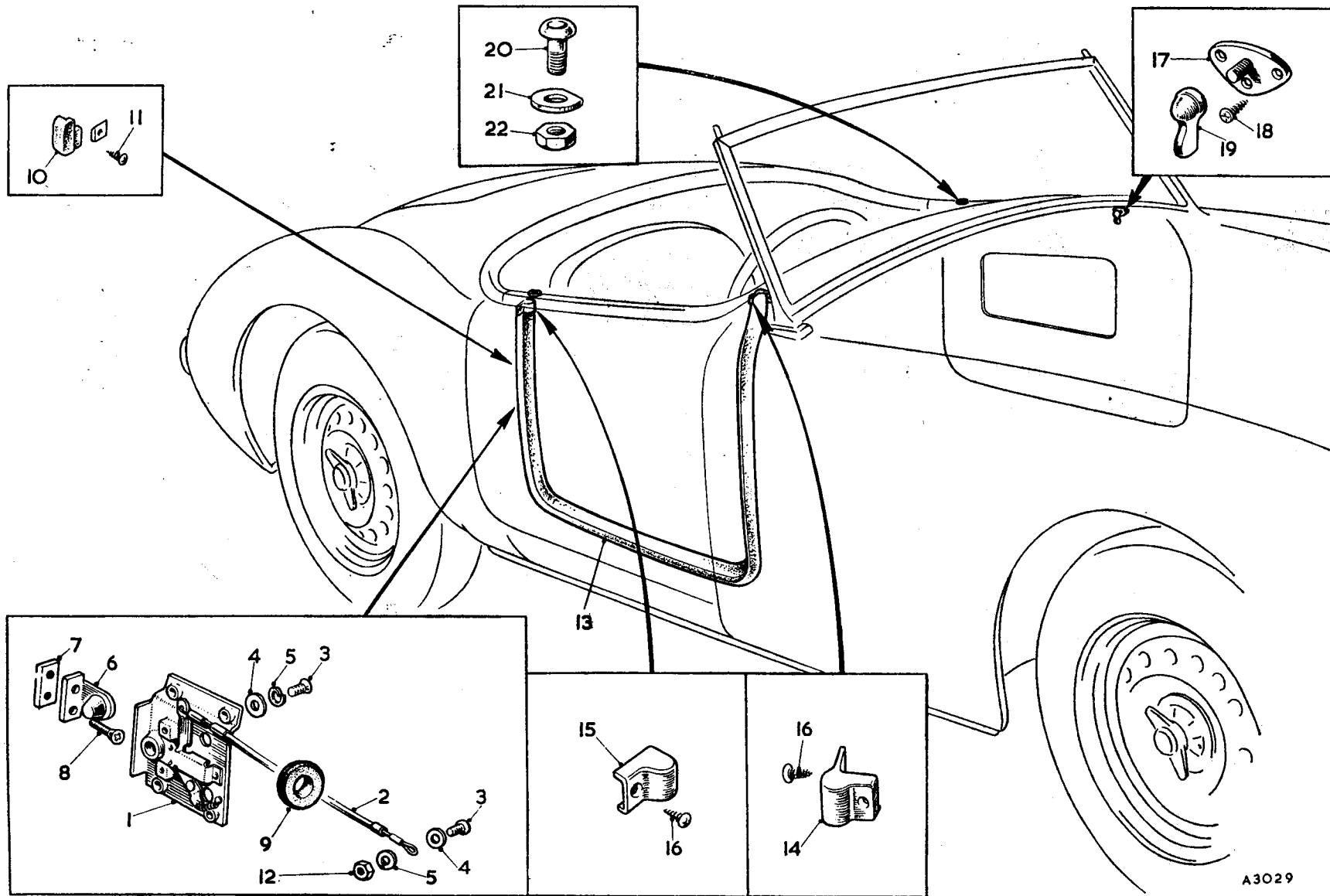
A3064



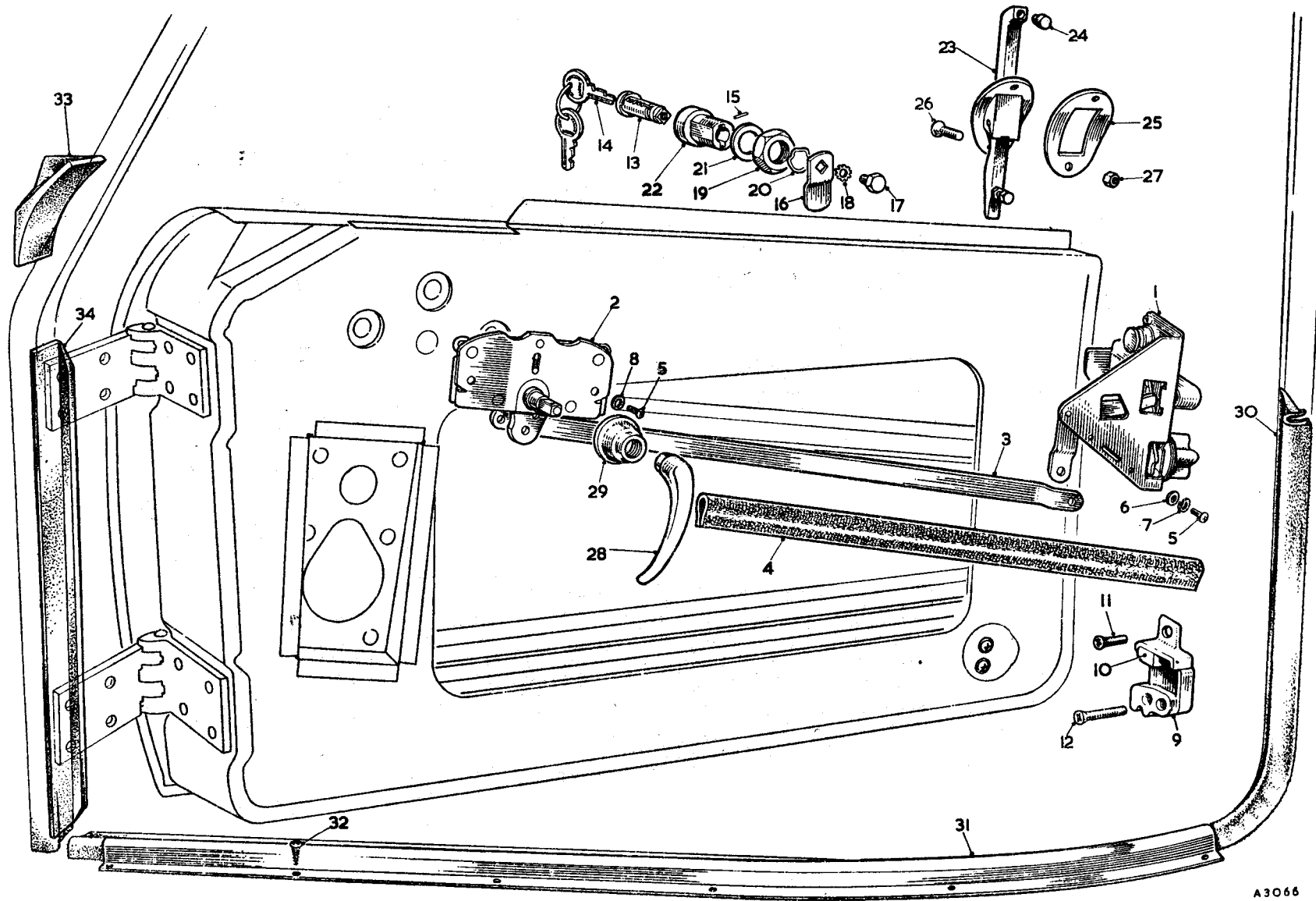
A2986



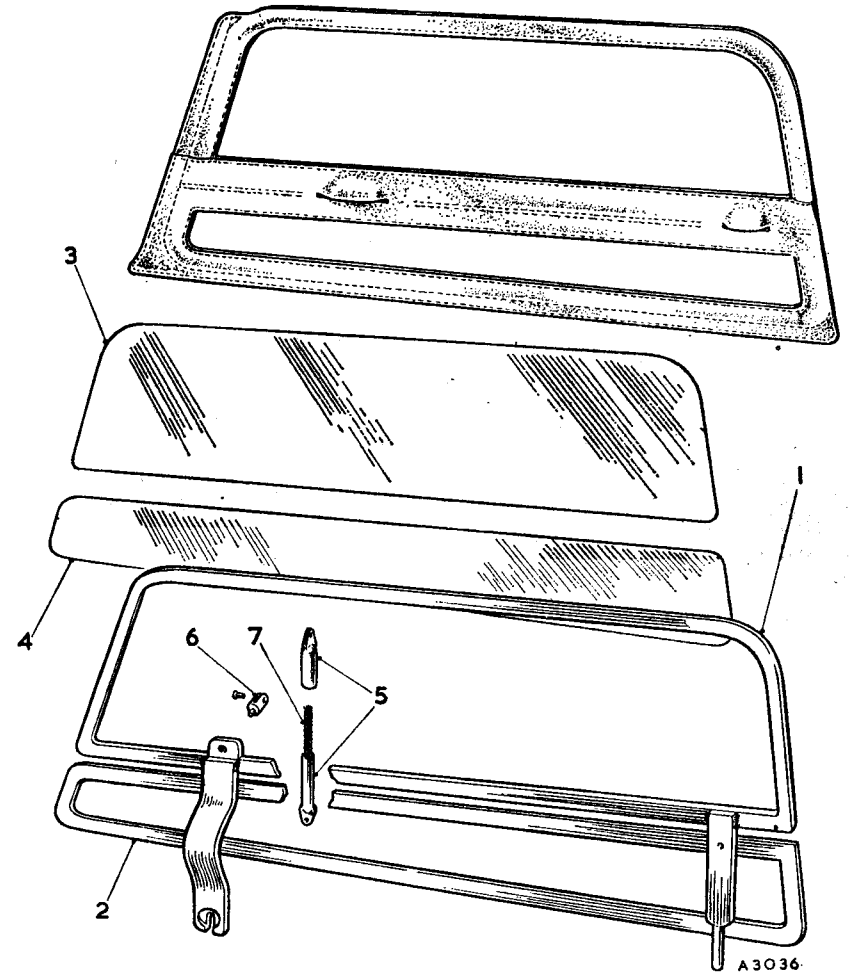
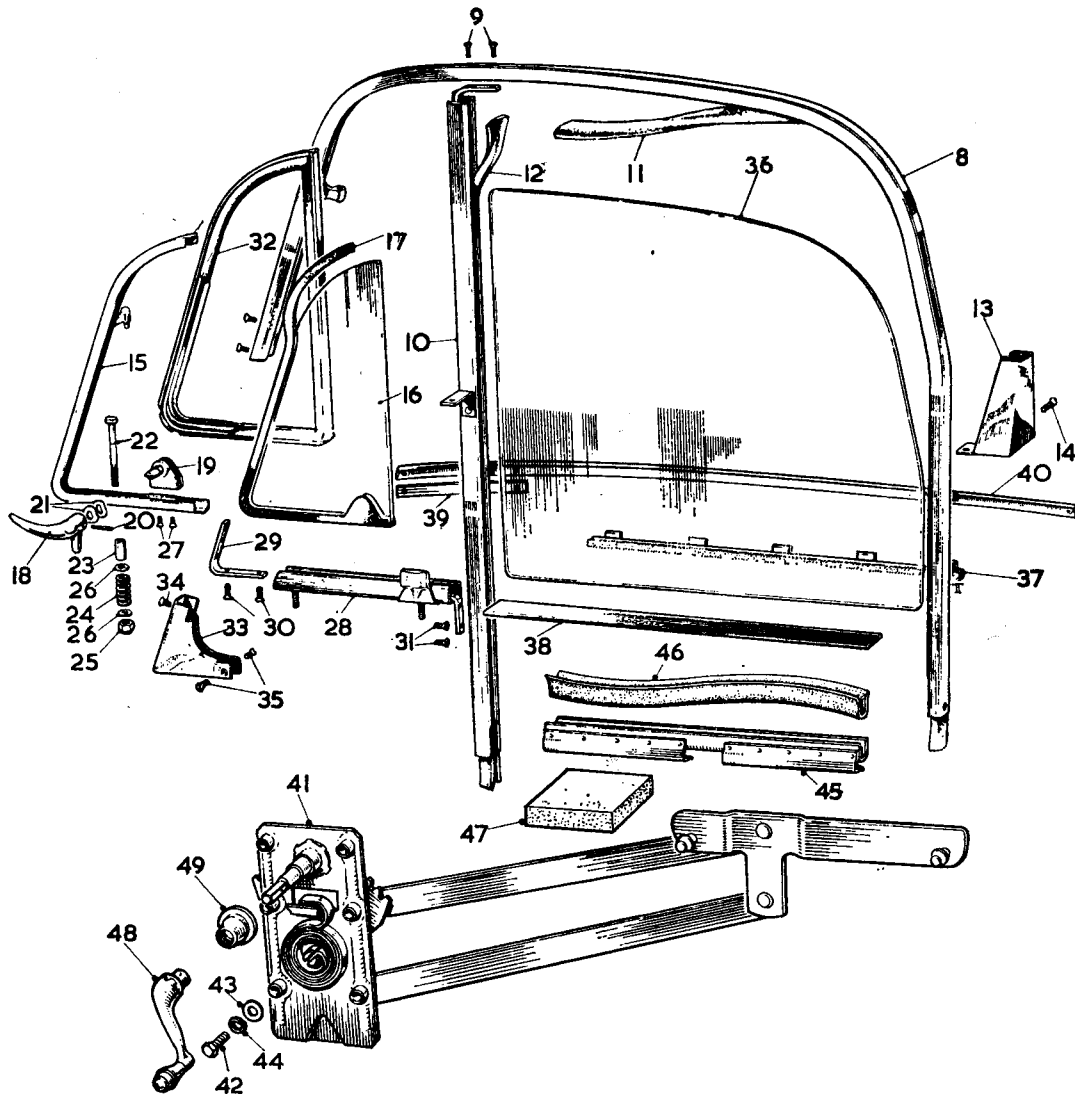
A3063



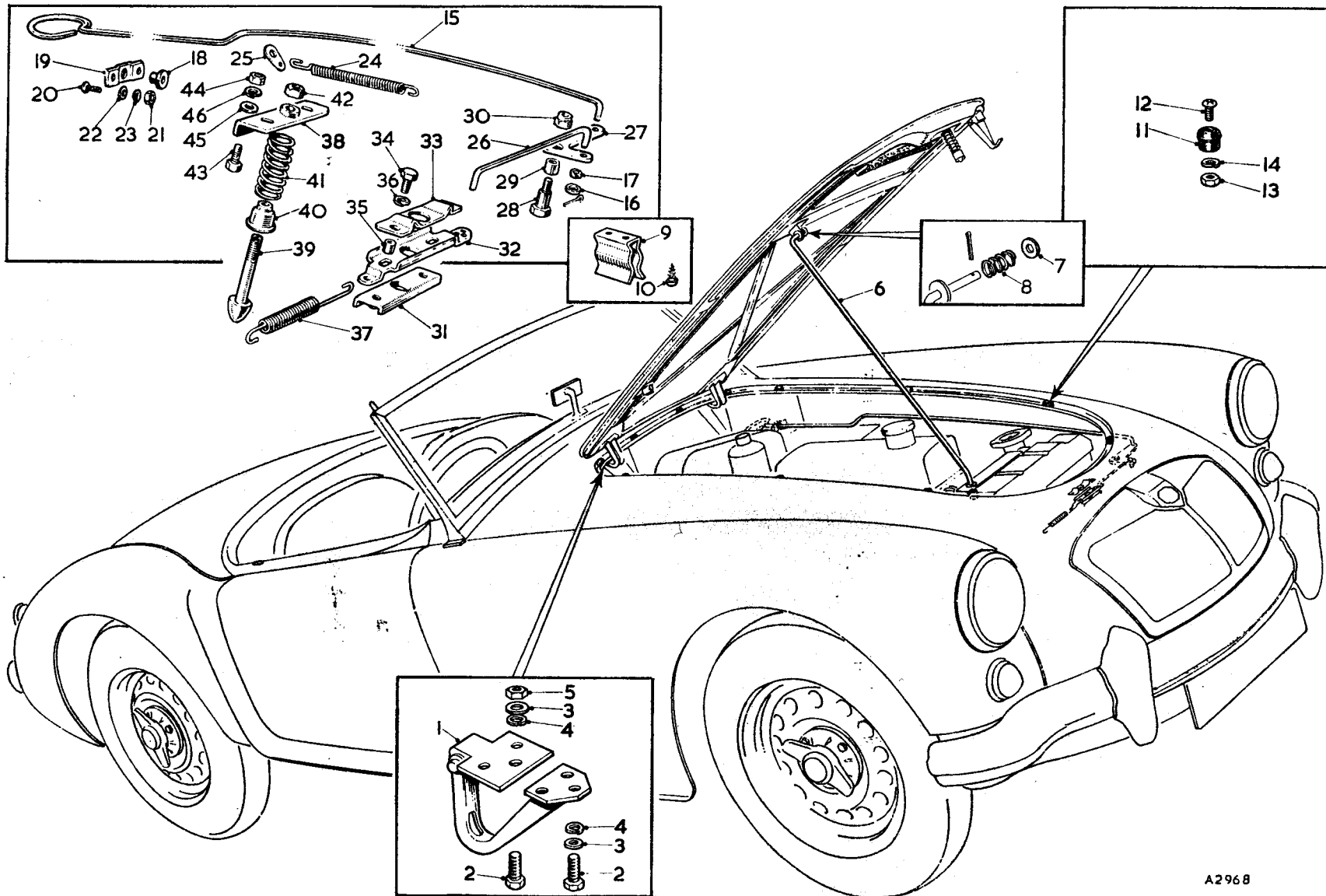
A3029



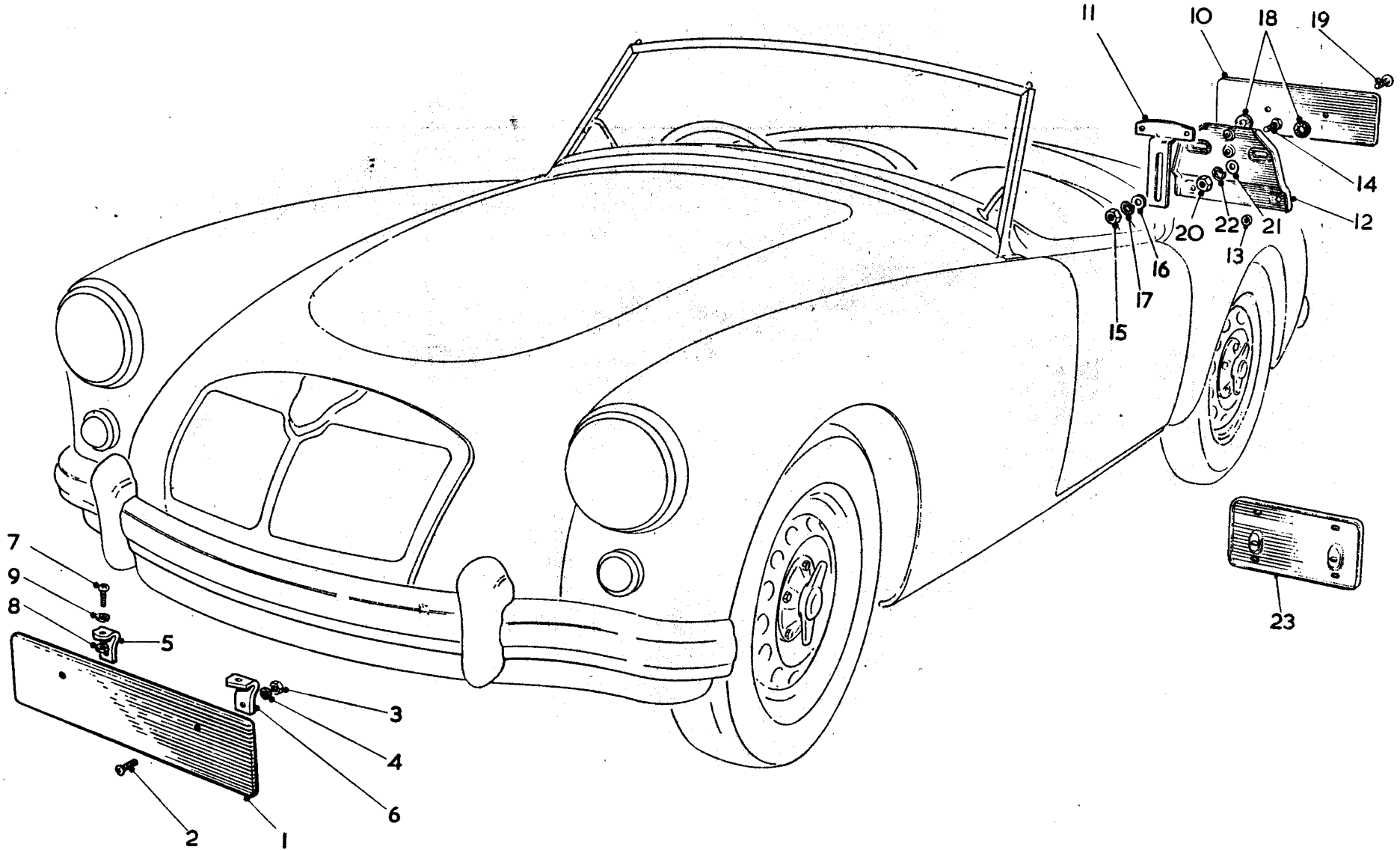
A3066



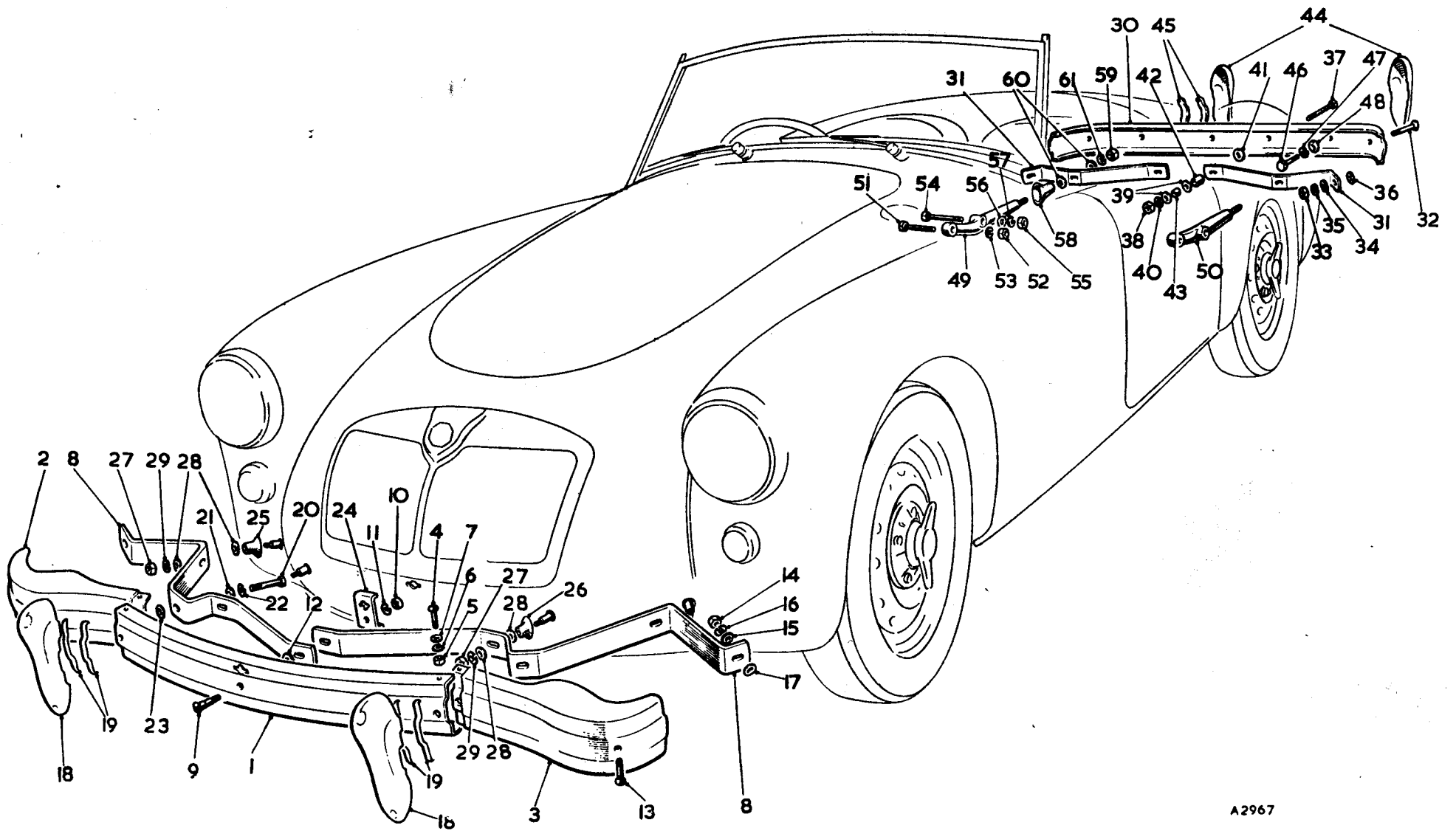
A3036



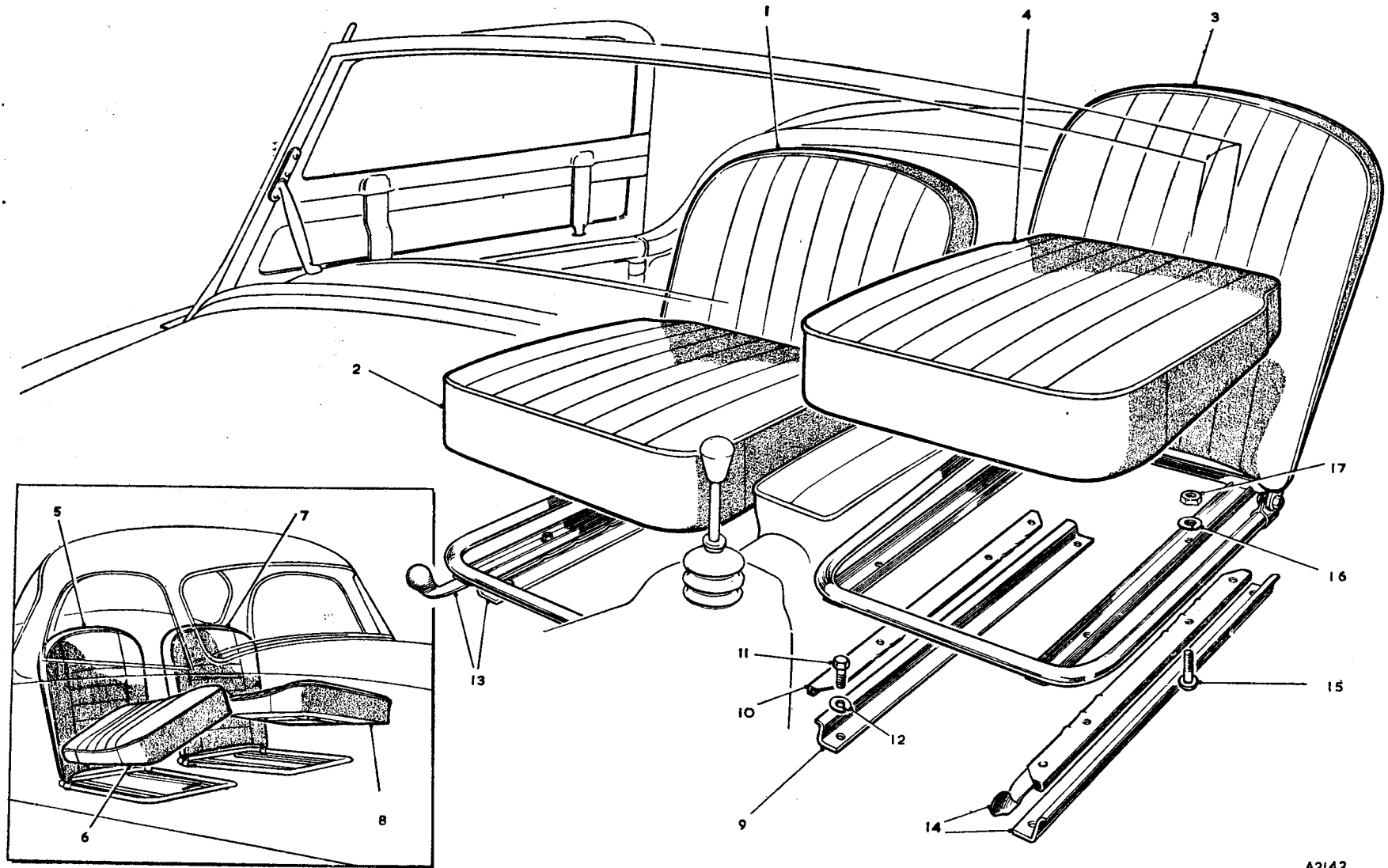
A2968



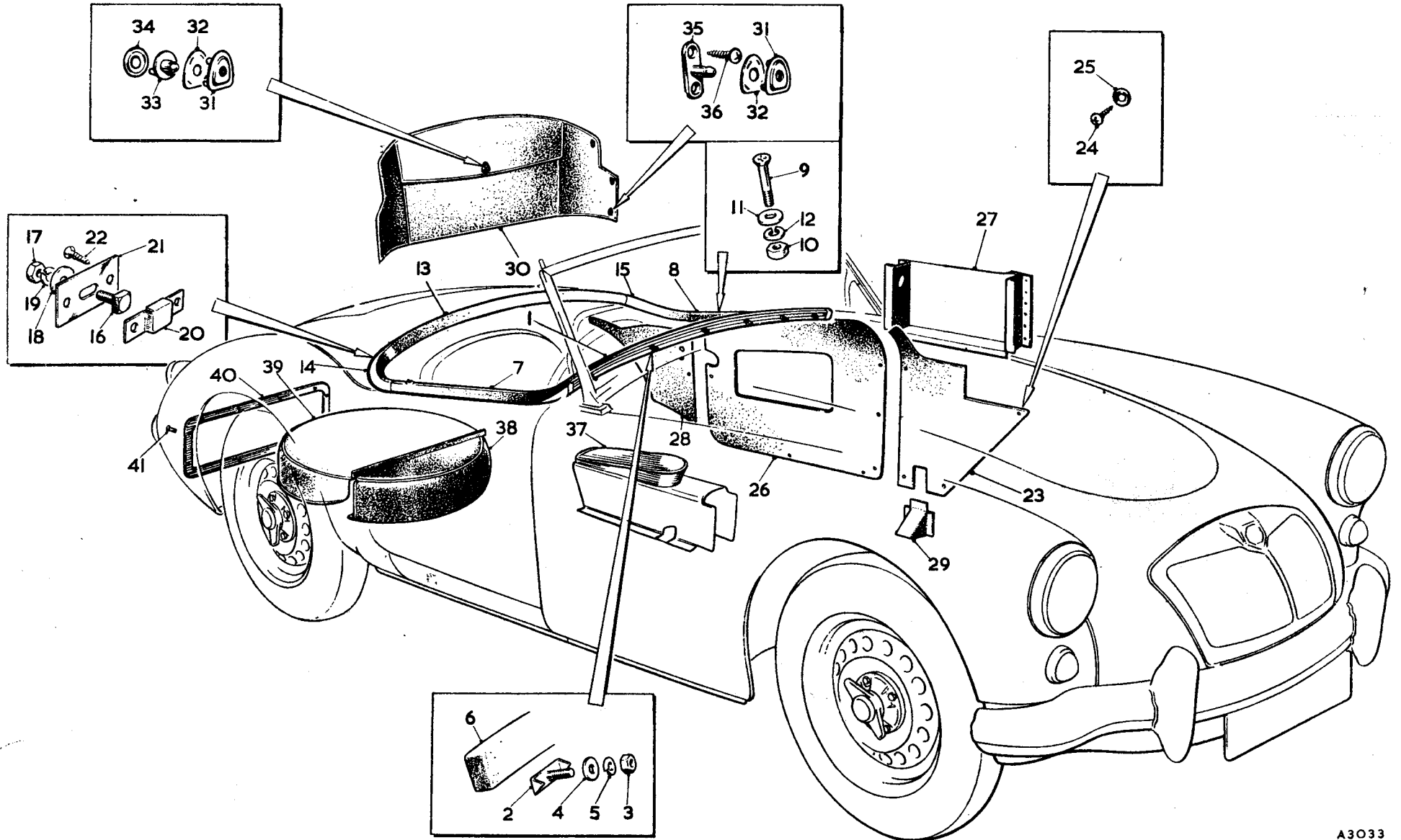
A2989



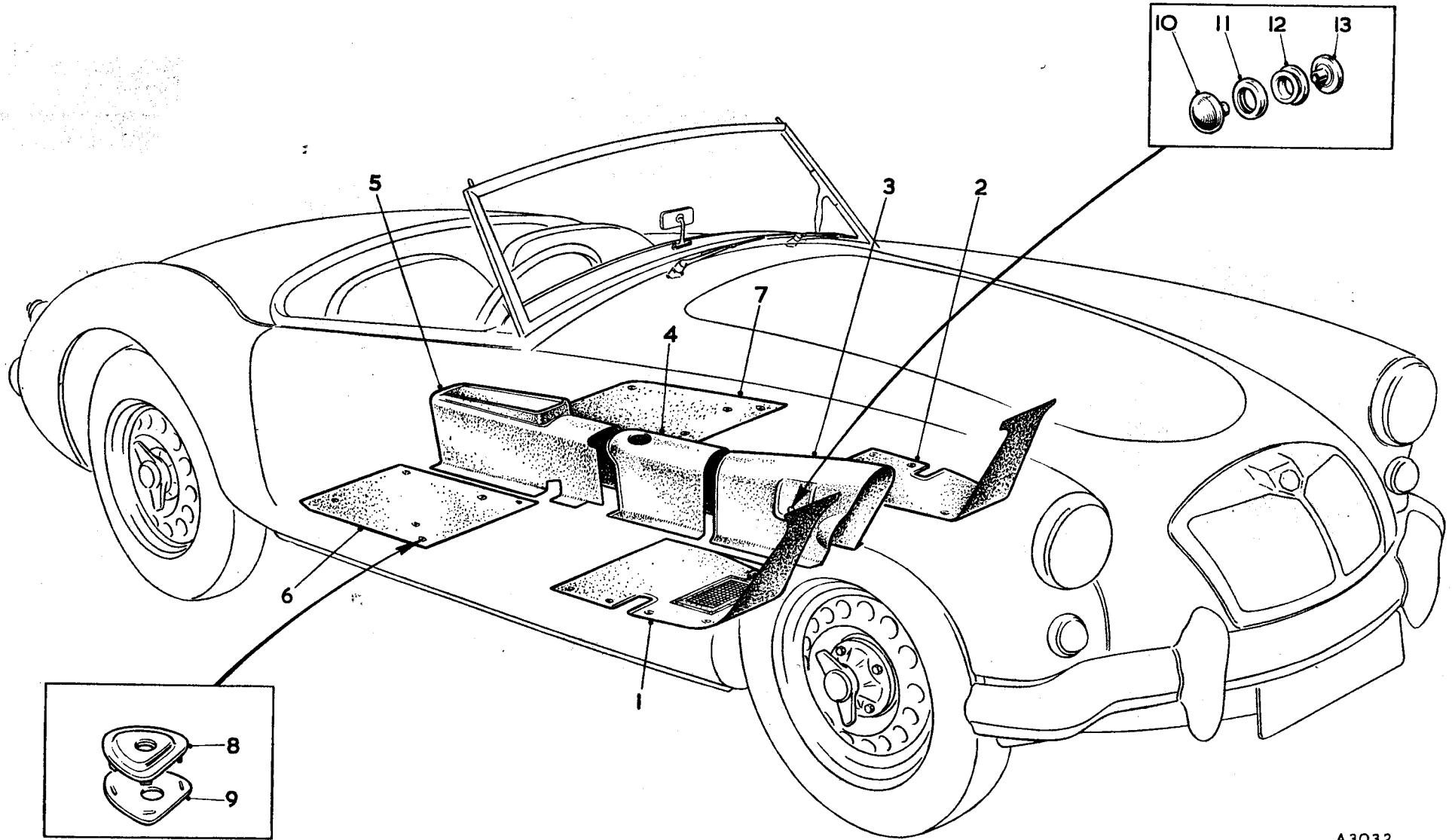
A2967



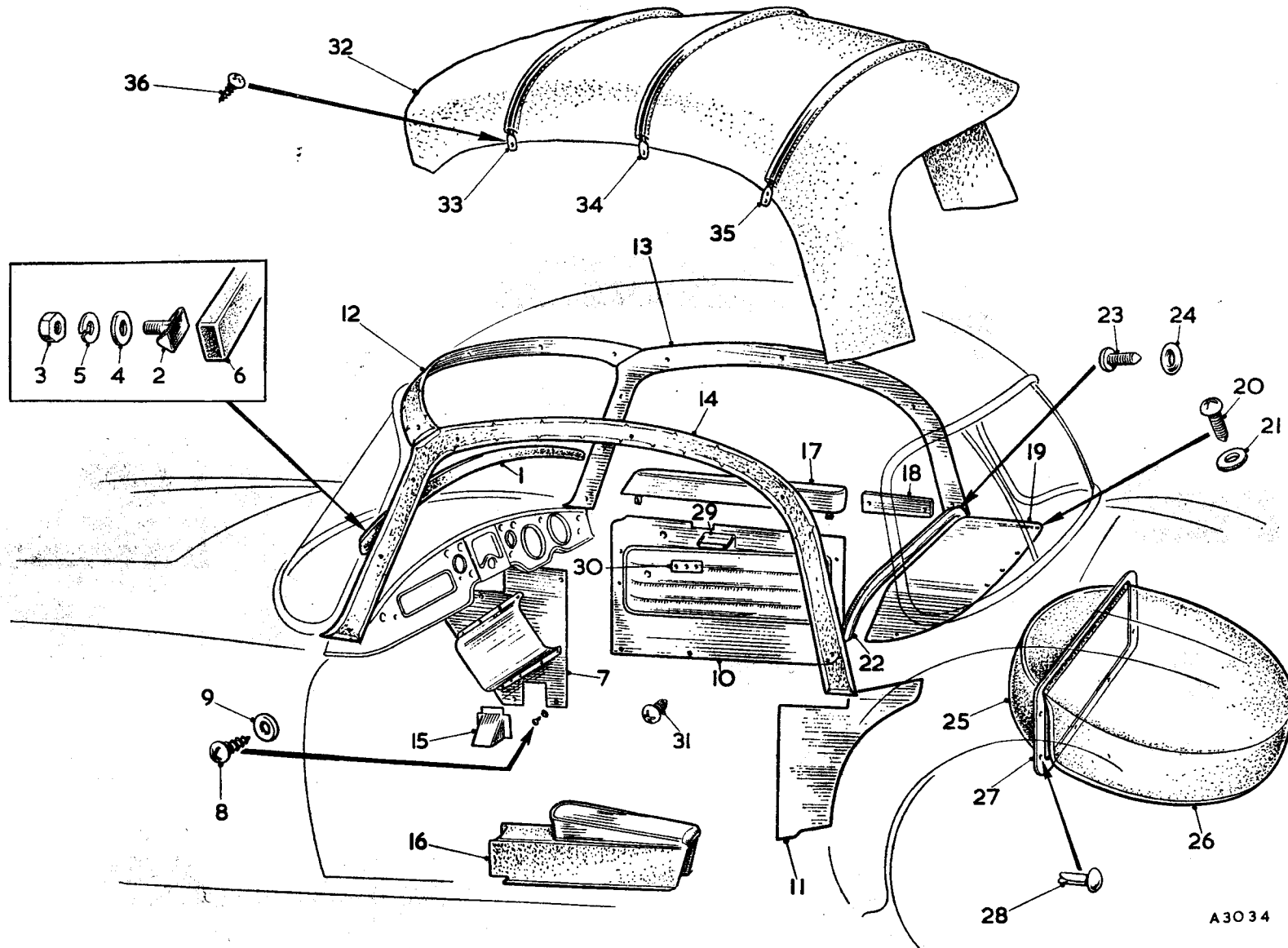
A2142



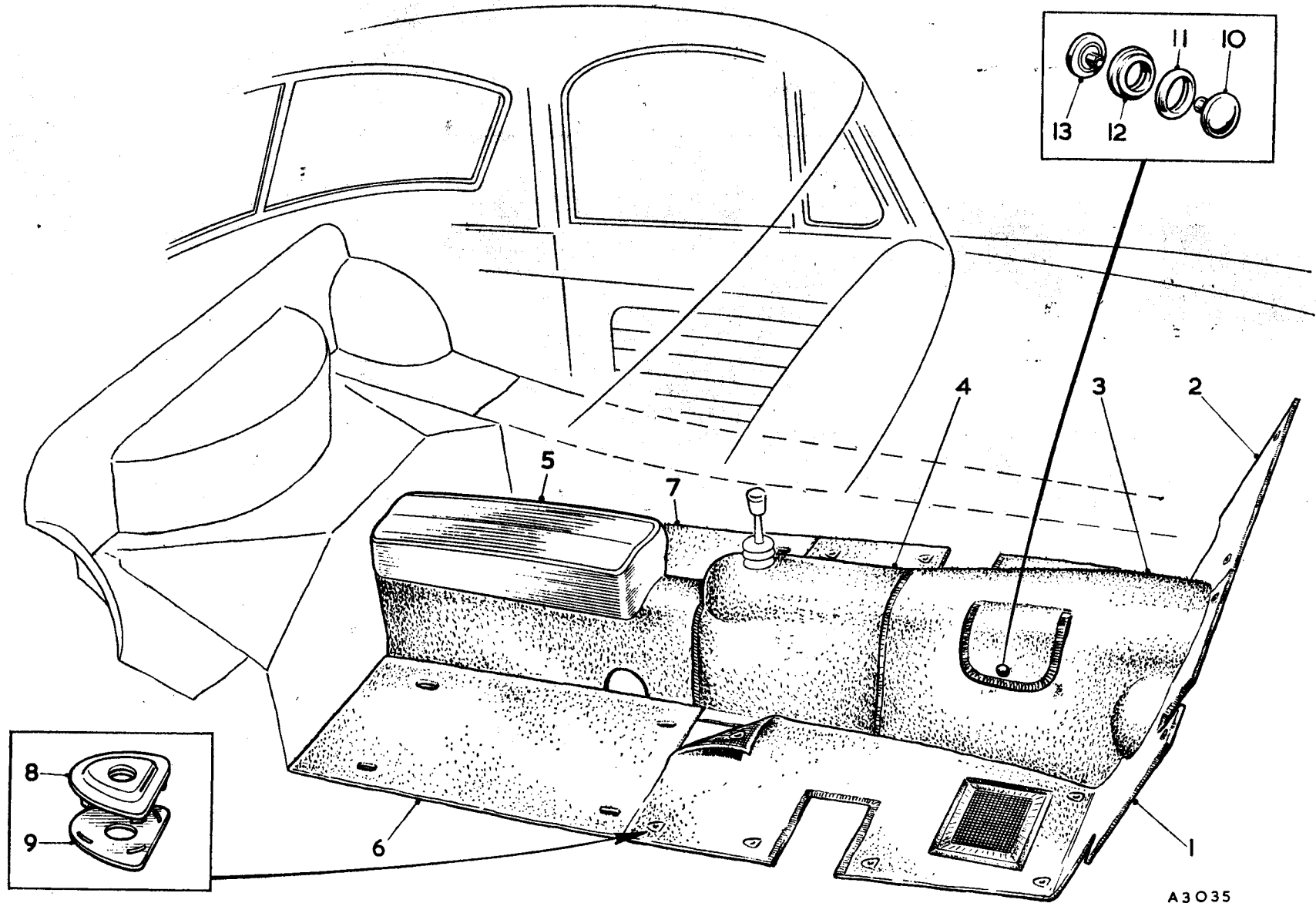
A3033

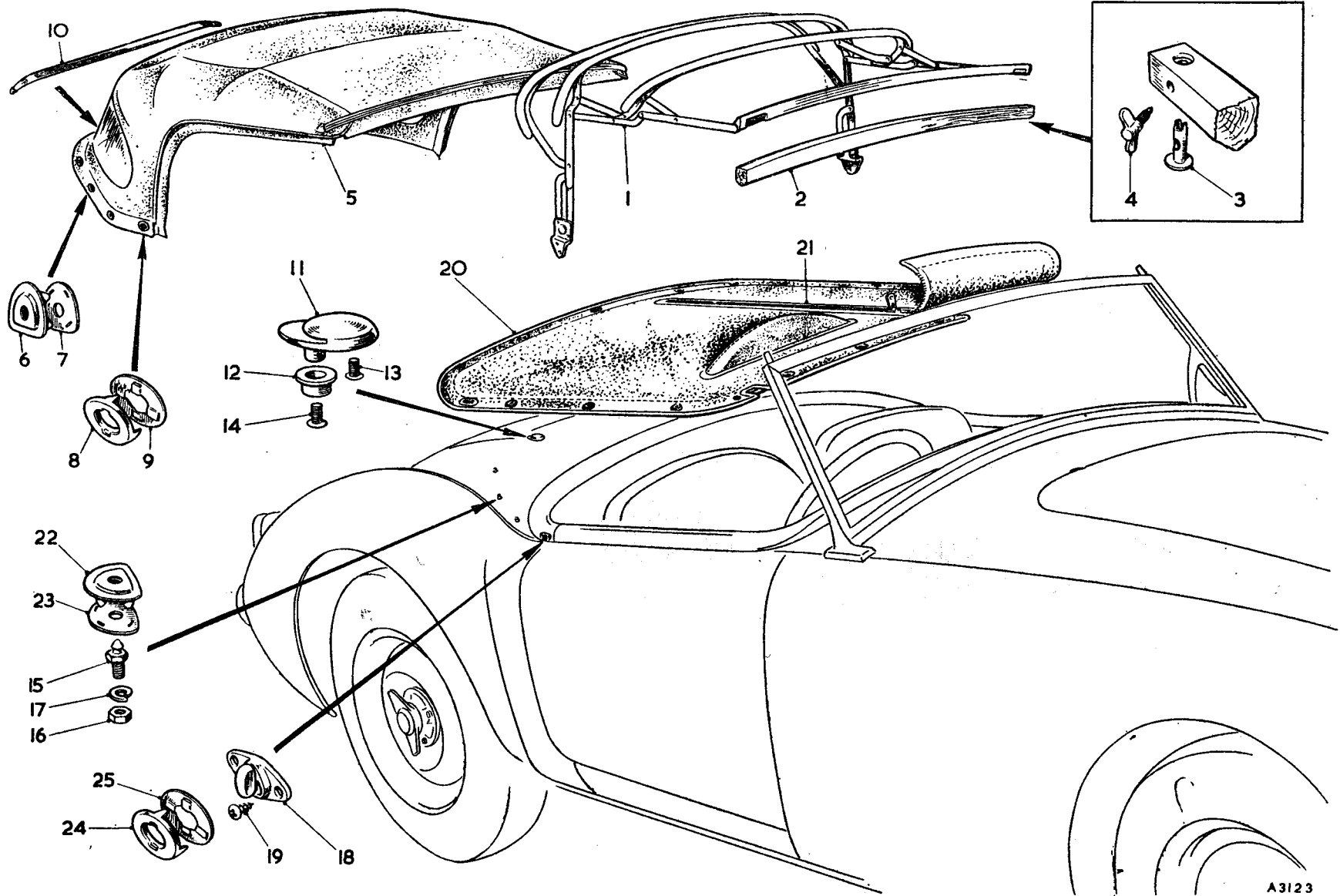


A3032

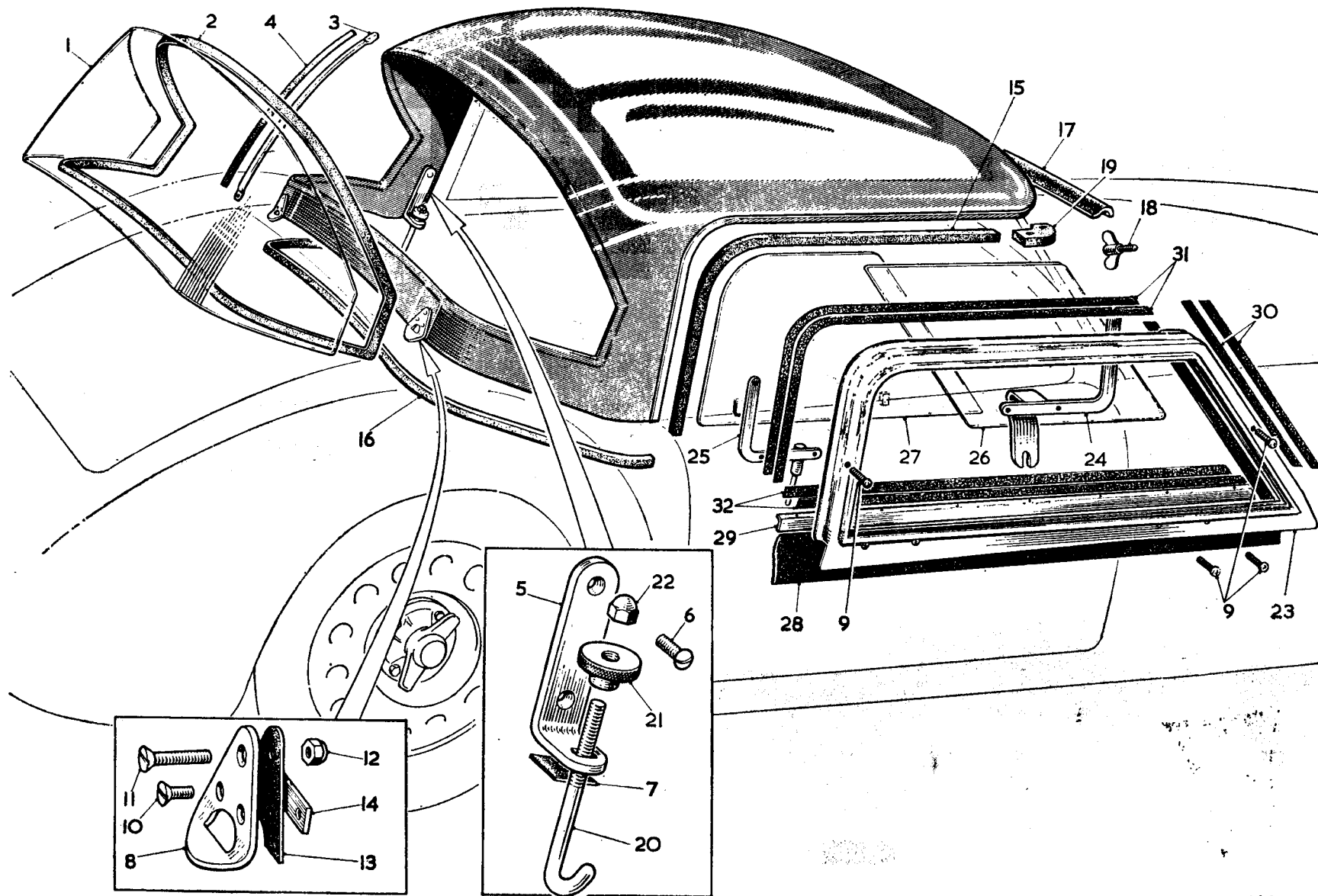


A3034

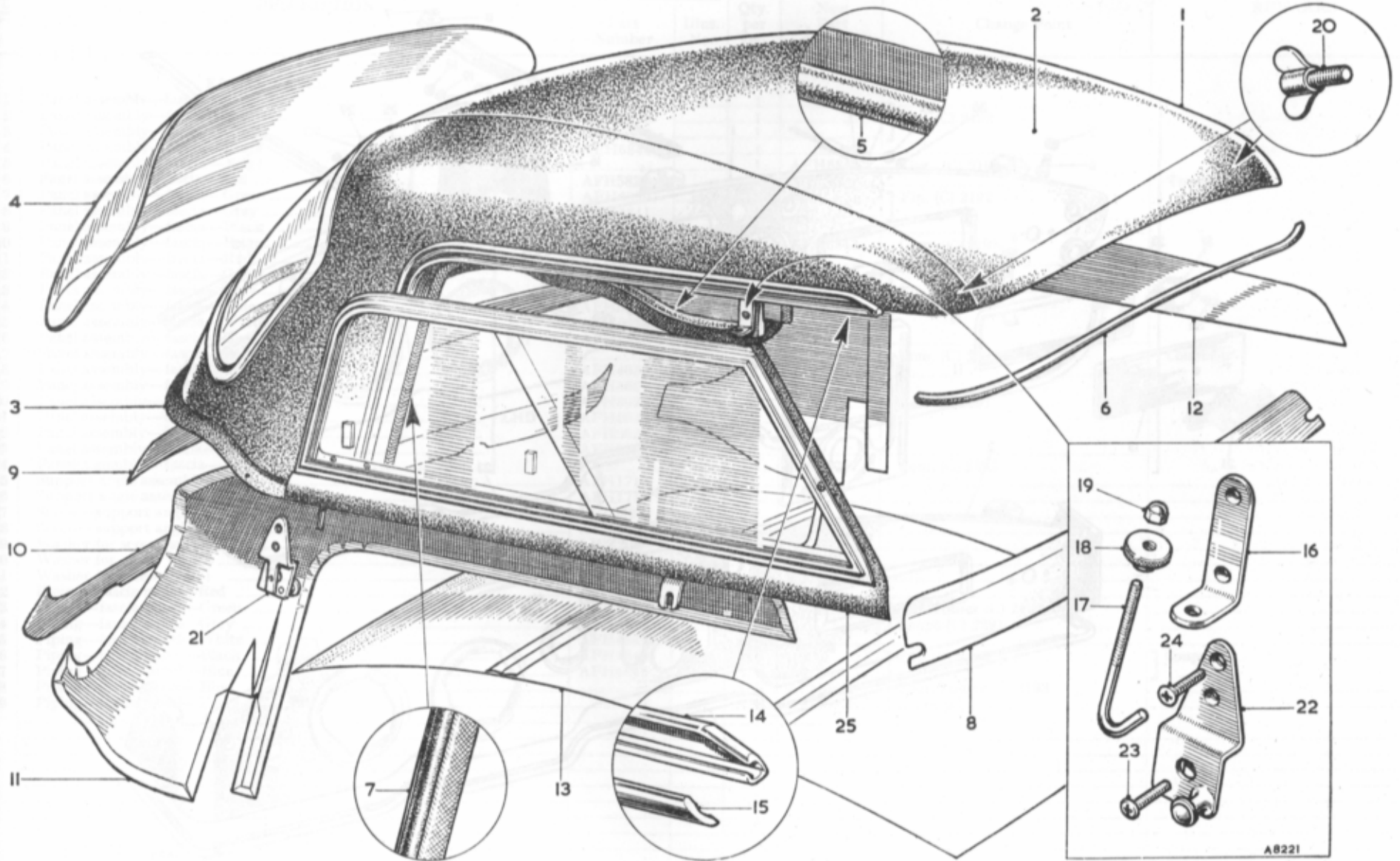


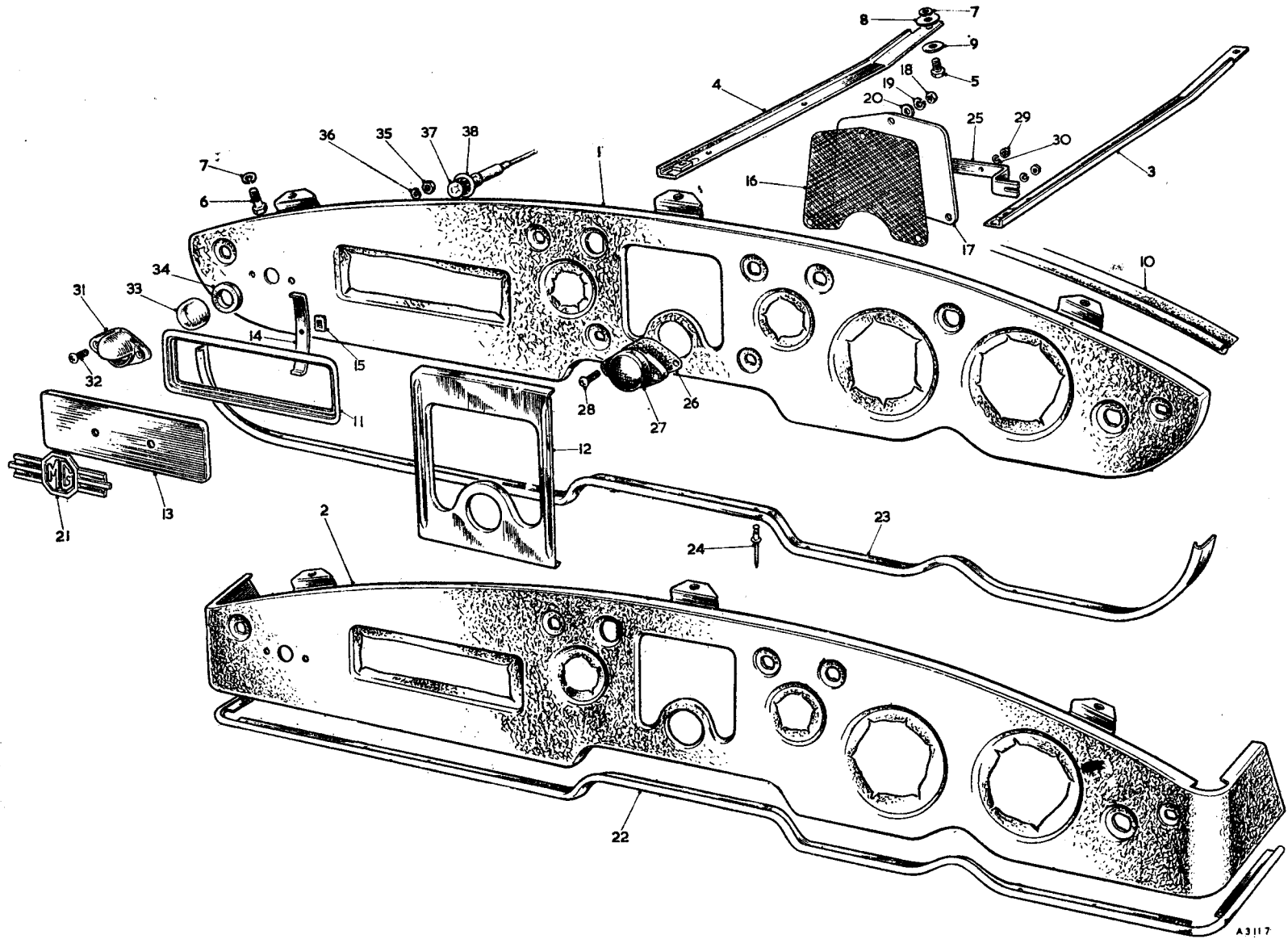


A3123

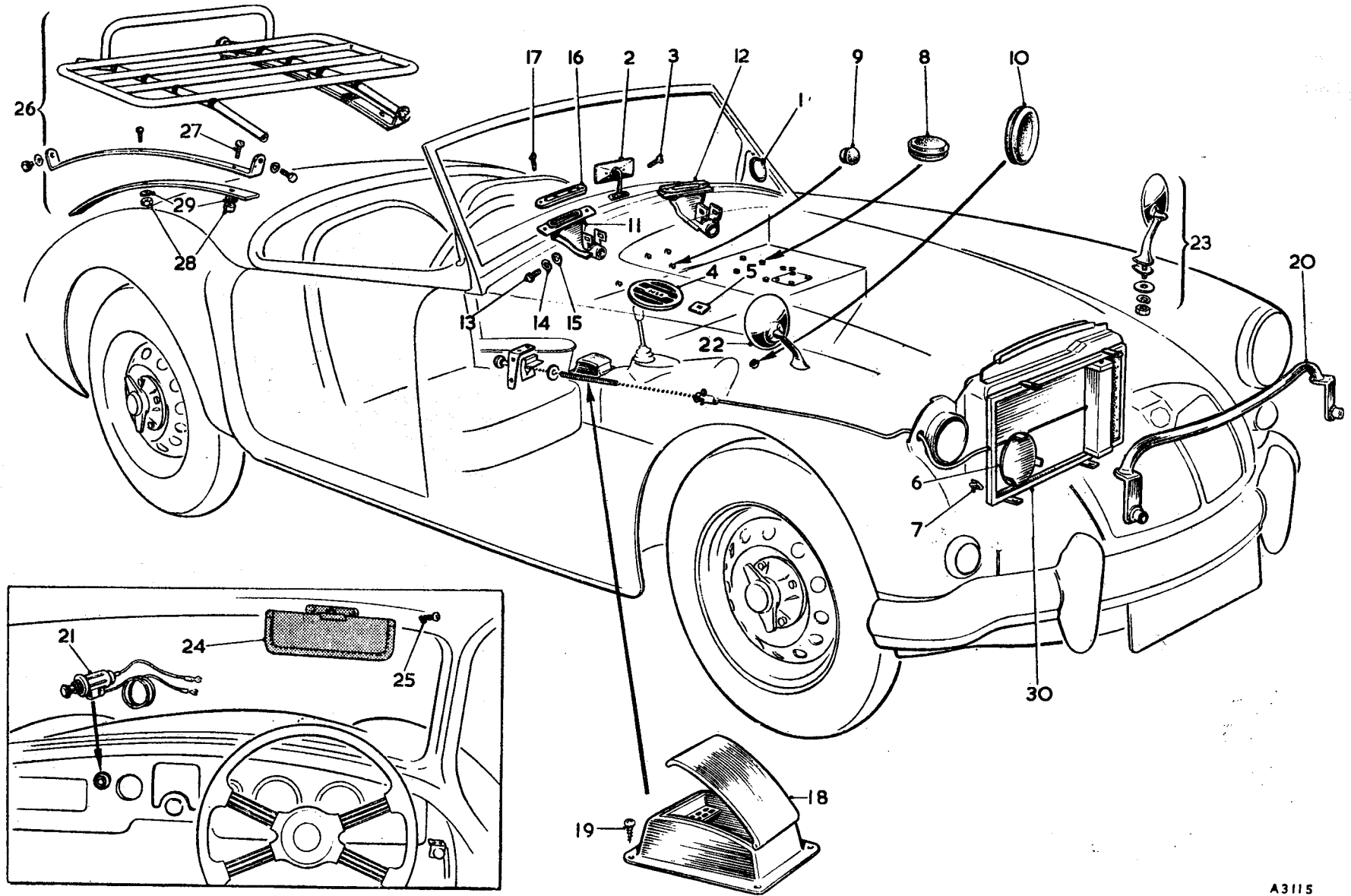


A2988

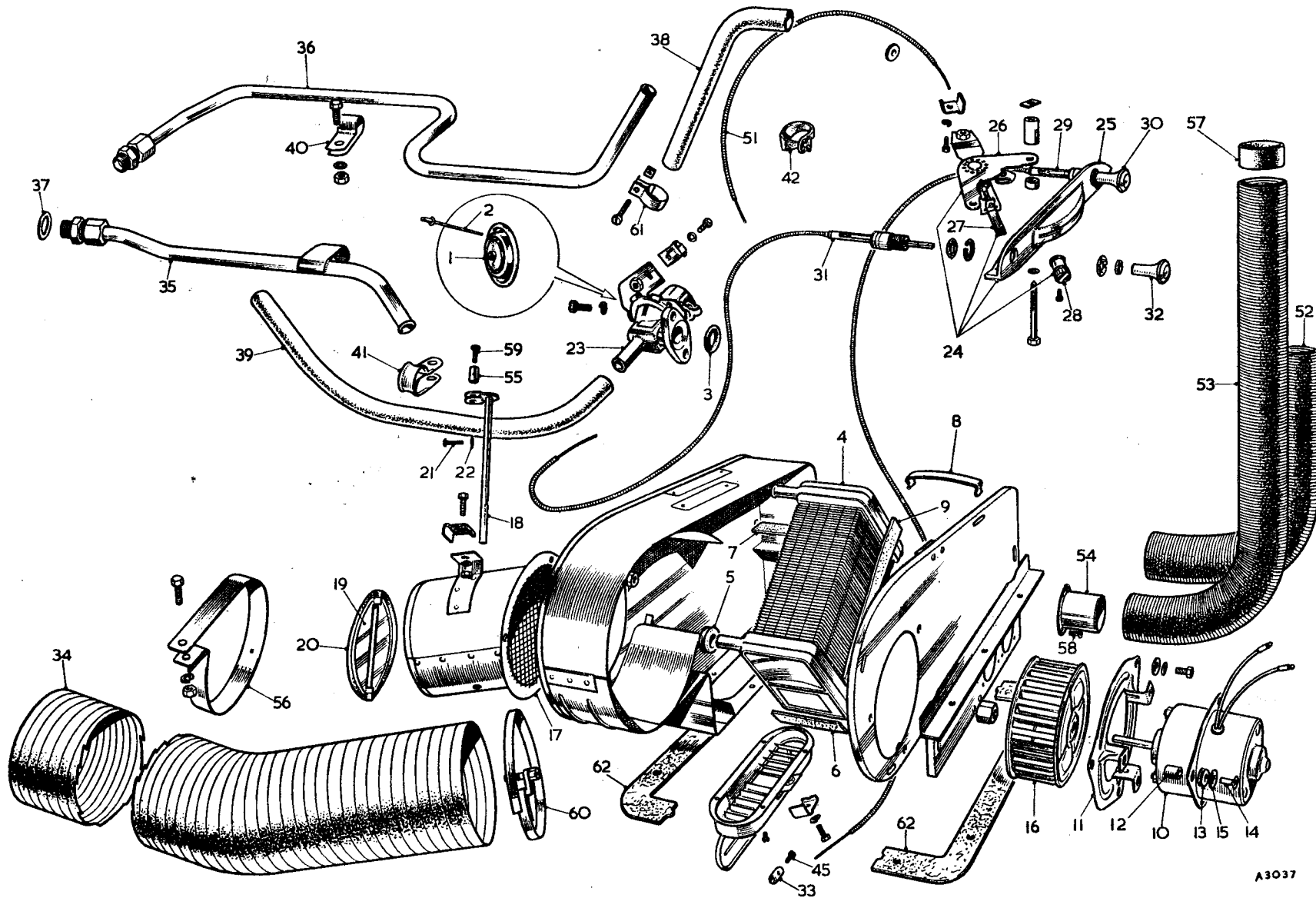




A3117



A3115



A3037