

www.BonusForBucks.com

BONUS FOR BUCKS™

PATENT PENDING

BONUSFORBUCKS.COM

The BONUS FOR BUCKS™ Bill Counter is designed to:

Increase Income.

Increase your income by giving an incentive for the customer to spend more.

Collect larger Bills.

Increase the number of \$5 Bills. (A \$5 bill equals 20 quarters). Less change to deal with.

Improved user Friendliness.

Allowing the owner to fine tune the dollar bill validator, coin acceptor with the timer. Happy customer.

Security.

No loss of income. An accurate count of currency (bills) accepted is totaled by a tamper proof non-resettable dollar counter. A count of 0 to 999,999 dollars is displayed. When One Million Dollars is reached the counter rolls over to 0.

Deposit Bill and Coin at same time.

The DOLLAR MULTIPLIER allows you to connect a bill validator and coin acceptor at the same time without interfering with each others signal causing the customer to lose money.

Adding a bonus when a \$5 Bill is used

Customer can get up to \$1.75 Bonus if a \$5 bill is inserted.
A popular feature of the DOLLAR MULTIPLIER.

Activating Bonuses

- 1) Bonus can be activated by selecting switch #7, OR
- 2) Bonus can also be activated by connecting an external switch or isolated relay contact to terminal #3 and 24VAC Hot.

Selecting Bonus Amounts

Bonuses are set by selecting switch #3, 4 or 5.

Switch Selection	Bonus	Total
#4 #5 #6	None	\$5.00
Off Off Off	25¢	\$5.25
On Off Off	50¢	\$5.50
Off On Off	75¢	\$5.75
On On Off	\$1.00	\$6.00
Off Off On	\$1.25	\$6.25
On Off On	\$1.50	\$6.50
Off On On	\$1.75	\$6.75

© 2004 H.D. Sales

040709

Other Optional Features

The Other Switches are used for fine tuning your service for optimum performance.

Adding a bonus when a \$1 Bill is used

Switch #1, #2 & #3. Used to add up to \$1.75 Bonus if a \$1 bill is inserted.

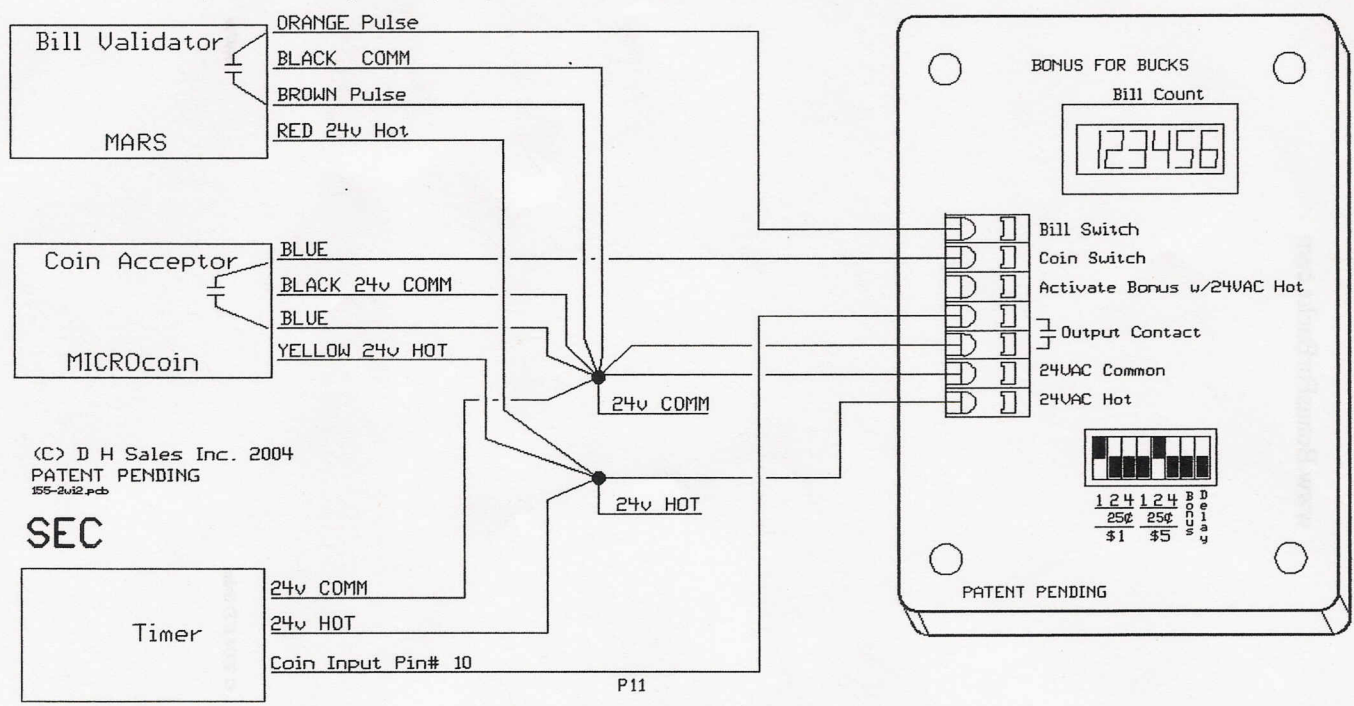
Switch Selection	Bonus Amount	Total
#1 #2 #3	None	\$1.00
Off Off Off	25¢	\$1.25
On Off Off	50¢	\$1.50
Off On Off	75¢	\$1.75
On On Off	\$1.00	\$2.00
Off Off On	\$1.25	\$2.25
On Off On	\$1.50	\$2.50
Off On On	\$1.75	\$2.75
On On On		

Easing Customer Use.

The DOLLAR MULTIPLER allows the customer to insert dollars and coins at the same time without interfering with each others signal.

- In addition the setting allows the customer to deposit all currency and coin before the timer starts.
- Switch #8. Used to add a short delay before starting timer.

Speialty Equipment Connection Diagram



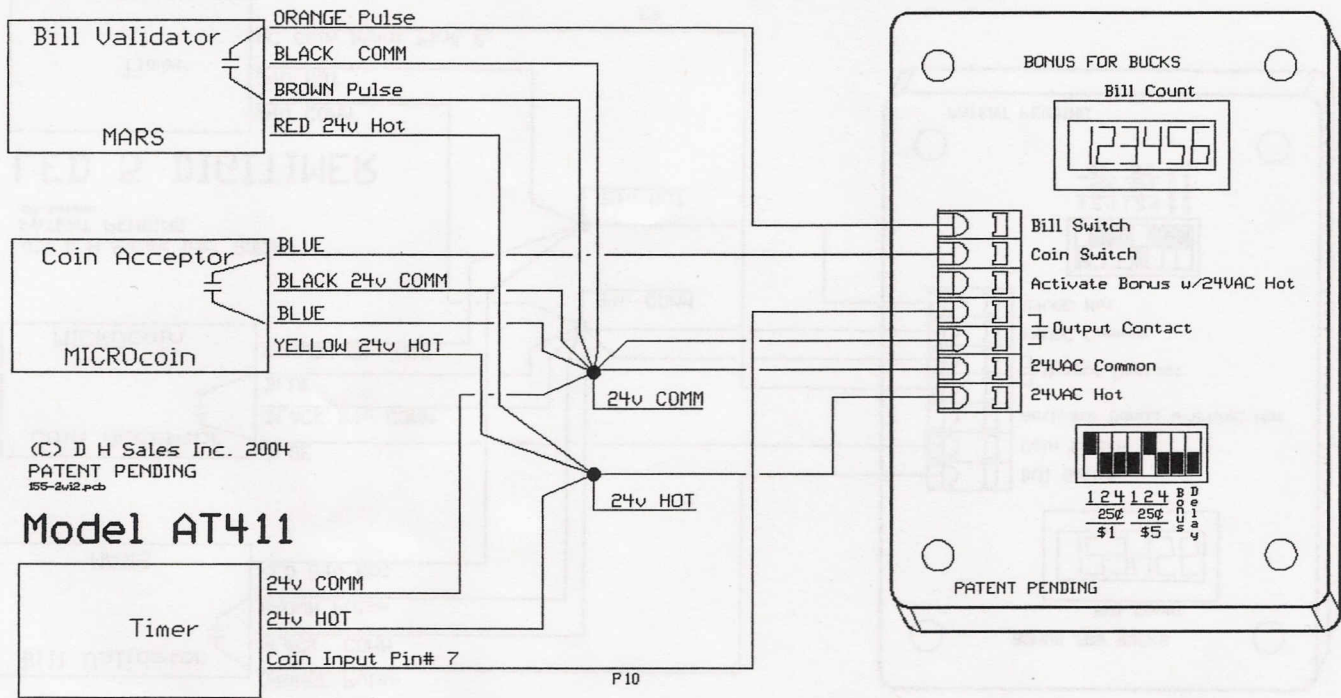
(C) D H Sales Inc. 2004
 PATENT PENDING
 155-2v12.pcb

SEC

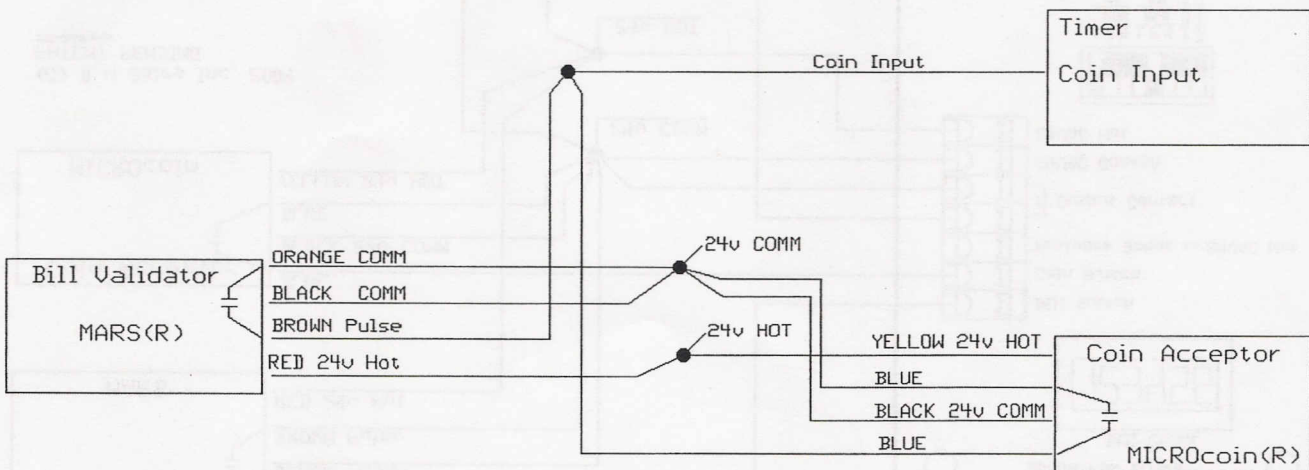
Timer

P11

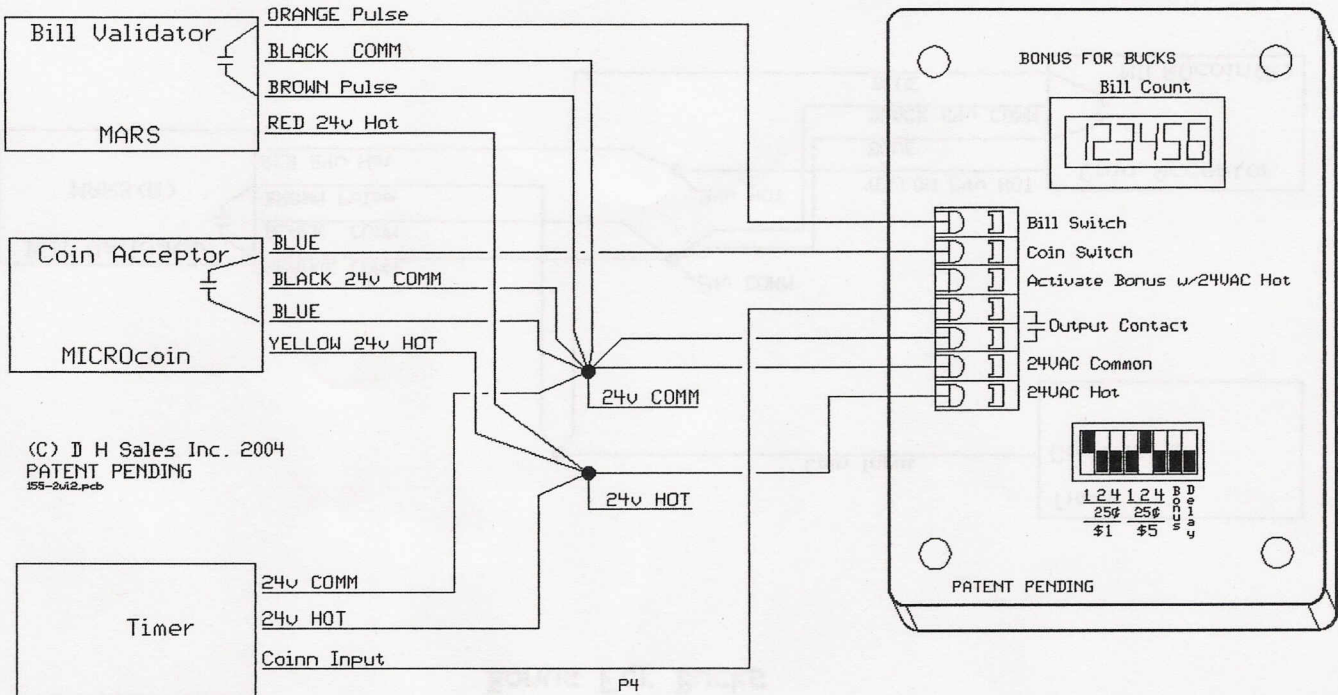
IDX - Quick Connection Diagram



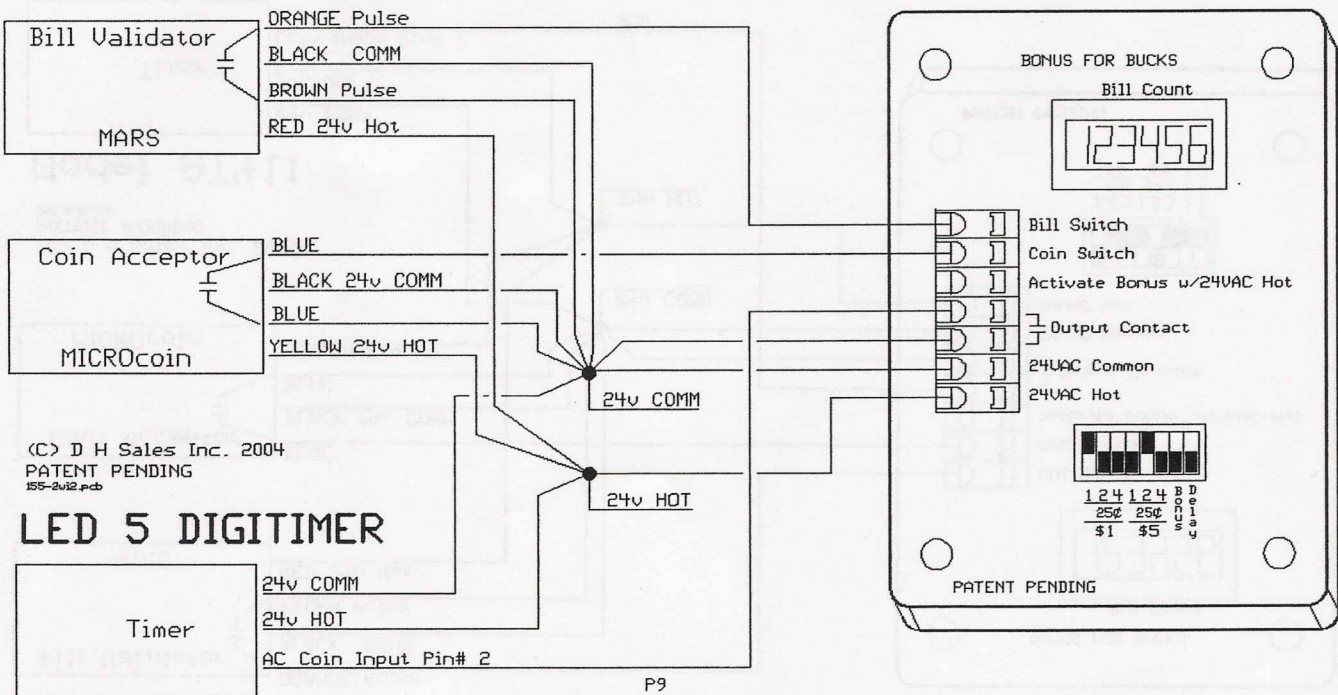
Without Bonus For Bucks



General Quick Connection Diagram

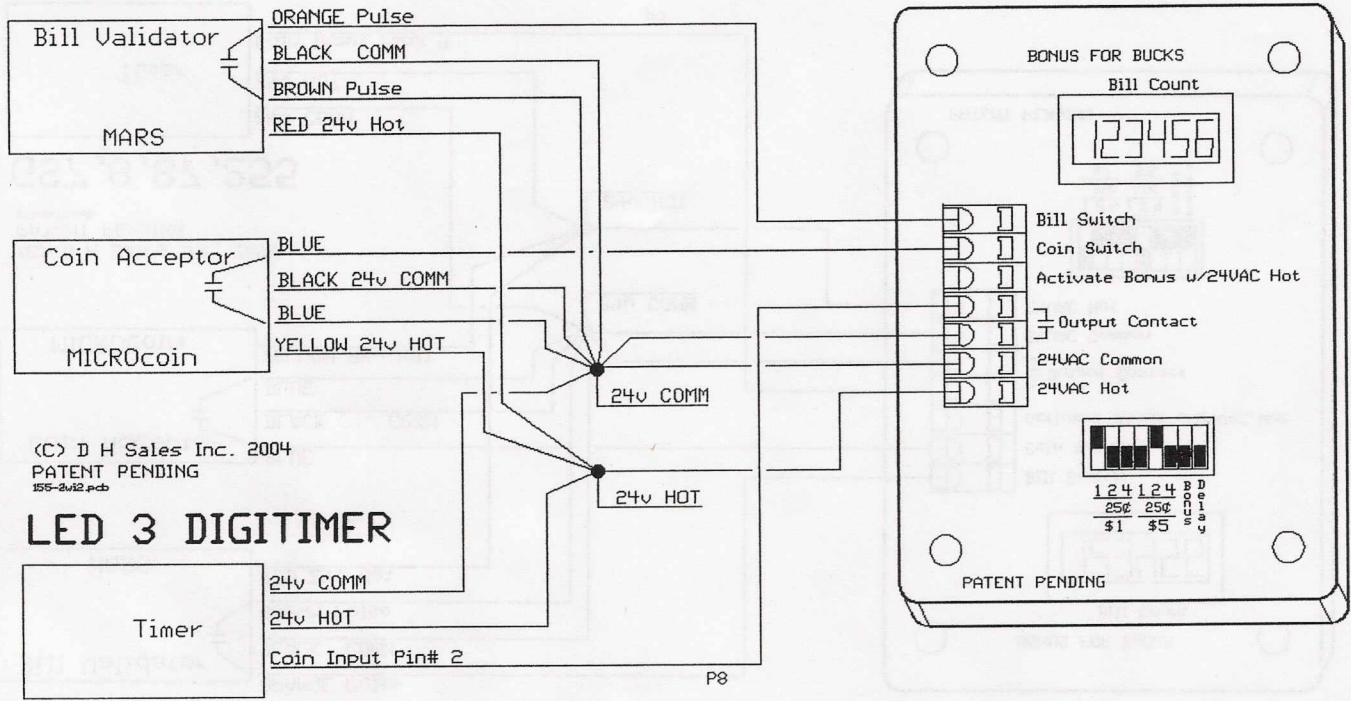


Dixmor - Quick Connection Diagram

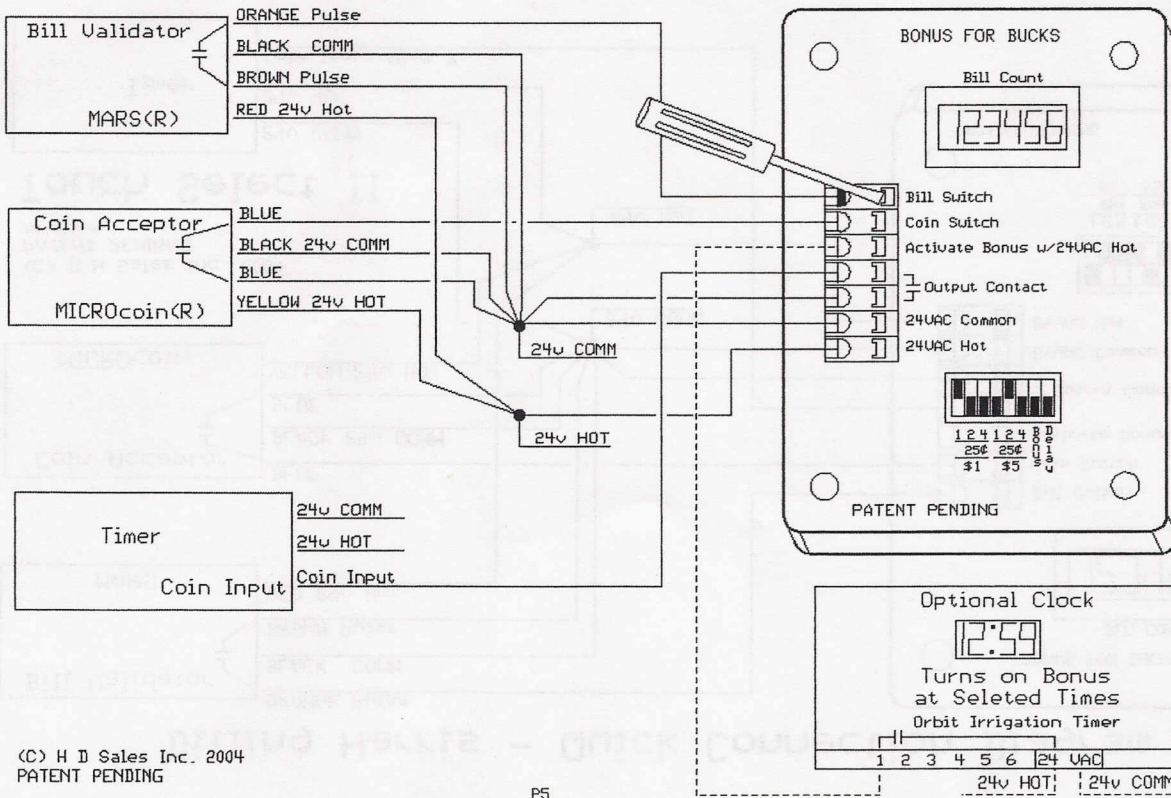


DIX - QUICK CONNECTION DIAGRAM

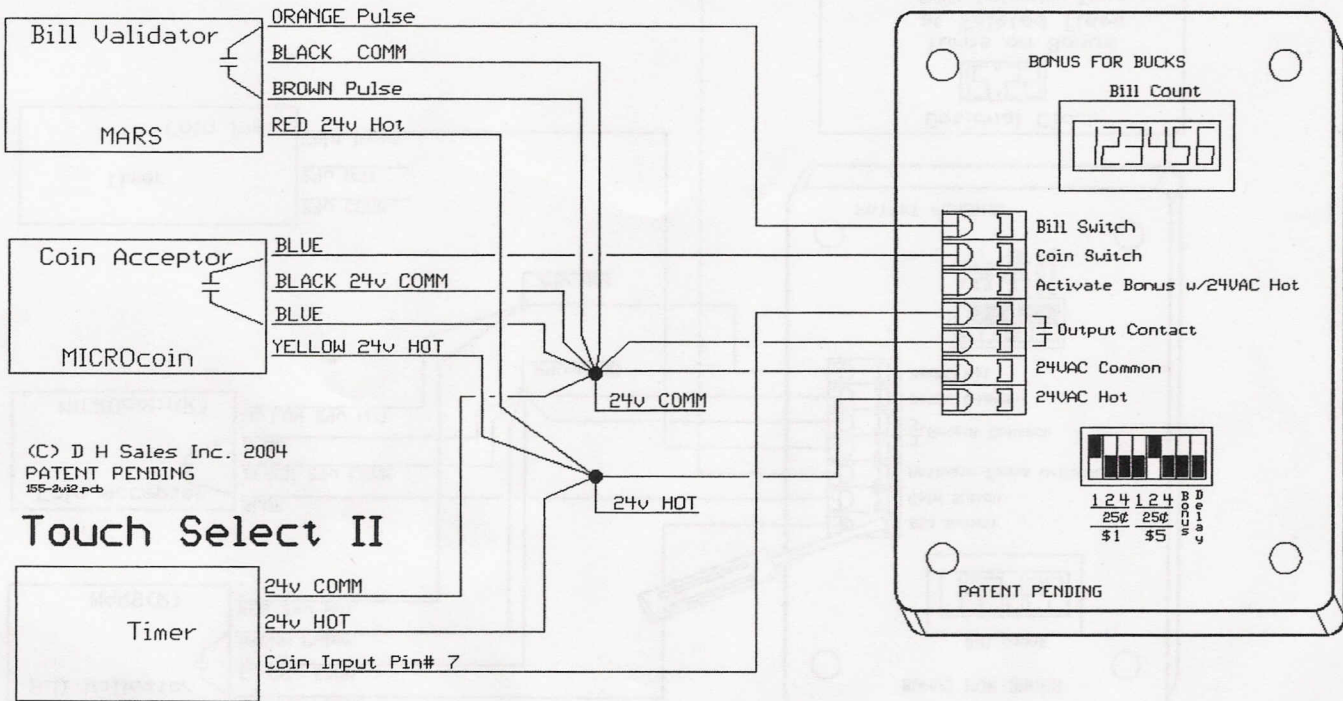
Dixmor - Quick Connection Diagram



With Bonus For Bucks & Optional Clock



Dilling Harris - Quick Connection Diagram

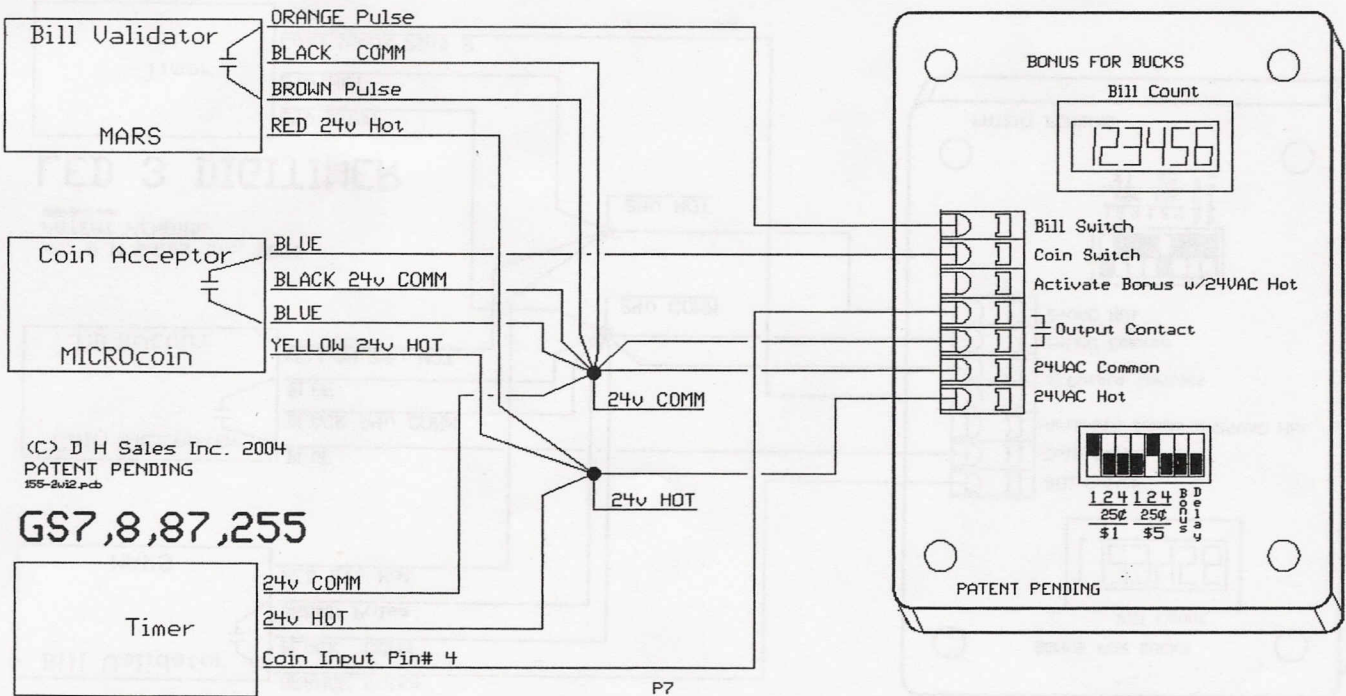


(C) D H Sales Inc. 2004
 PATENT PENDING
 155-2v12.pcb

Touch Select II

P6

GinSan - Quick Connection Diagram



(C) D H Sales Inc. 2004
 PATENT PENDING
 155-2v12.pcb

GS7,8,87,255

P7