



User Guide

Quick Pay

Instructions for operating the:
Quick Pay Controller/Credit Card Terminal
Software Rev 2.05
[If you are using an earlier Rev see Appendix E]

This Terminal is used in:

- Self Service Carwash Bays**
- Token dispensers**
- Shampoo—Fragrance—Vacuums**
- Automatic Carwashes/Auto Cashiers**
- Vending Machines**
- Kiosks**
- Commercial Laundries**

Quick Pay Users Guide



Carwash Operator must verify that the Merchant Account ID number for each Credit Card Terminal is setup before using.

Installation must be done by a qualified Electrician or qualified Technician. Measure 24 VAC from Hot to Common at $24\text{ V} \pm 5\%$. With Bay power off measure VAC from Hot to Common at 0 V. Measure VAC from GND to Common at 0 V.

Note

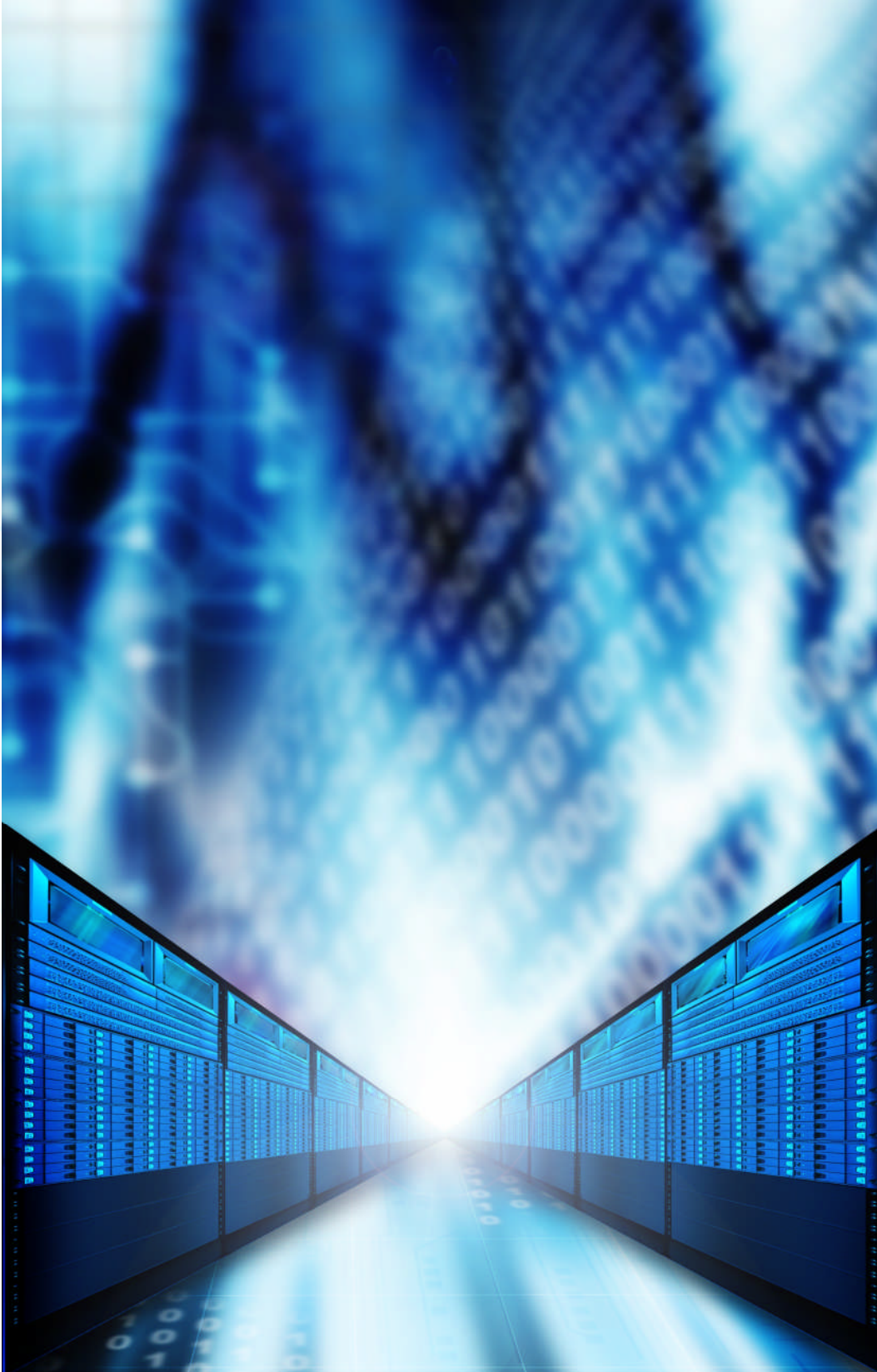
Timer idle:	Voltage $24\text{ V} \pm 5\%$
Time operating the load:	Voltage $24\text{ V} \pm 5\%*$
Bay power off:	Voltage $0\text{ V} \pm 1\text{V}$
Ground to Common:	Voltage $0\text{ V} \pm 1\text{V}$

See section on grounding.

*If Voltage drops during load (any function on) the Transformer VA and/or Wiring size needs to be increased.

It is the responsibility of the user of this product to assure safe operation. PaymentBay or Etowah Valley Equipment is not liable for any injury or damages caused by the use of this product. See Limited Warranty.

Quick Pay Users Guide



Site Monitoring is available through www.PaymentBay.com

Unless otherwise indicated, PaymentBay LLC owns all intellectual property in this Document, including without limitation, the trademarks, service marks, and tradenames displayed in this Document as well as the copyright of this Document, images, text and screens. The material and information in this Document may not be published, copied, distributed, licensed, modified, sold, used to create a derivative work or otherwise used for public or commercial purposes, without the prior express written permission of PaymentBay LLC.

Contents

Credit Card Processing Features and Benefits 6

Timer Features and Benefits 6

Product Comparison Chart 8

Setup the Telephone Service10

Quick Start five steps10

Driving Business to your car wash11

Quick Programming and Setup11

REMOTE CONTROL FUNCTION OVERVIEW12

QUICK MENU OVERVIEW13

Detailed Programming Guide:16

LINK MENU “LINK”16

SET-UP MENU “STUP”18

 Self Service Function List20

 Automatic Wash Function List.....20

 Pet Wash Function List20

 Vending Function List.....20

 Note: Truck Wash Owners21

 Time and Amount Settings Table22

BONUS MENU “BONS”23

COUNTER MENU “CNTR”24

SYSTEM MENU “SYST”25

 Summary of all ALARMS, Error/Service Code Messages26

MERCHANT MENU “MCHT”28

FLEET MasterCard®29

PRINTING A CREDIT CARD RECEIPT29

Using the IR REMOTE30

 MAIN OPERATING EXECUTIVE.....30

 LINK31

 SET-UP32

 BONUS35

 COUNTERS38

 SYSTEM39

 WASHDOWN PASSWORD40

 SET-UP PASSWORD40

 MERCHANT42

Connector description44

Wiring Configurations45

Quick Pay Users Guide

Basic Two Stack Rotary	45
Single Stack Rotary I	46
Push Button with Distribution Board Also replaces [Touch Select II]	47
Push Button with additional remote Distribution Board	48
Coin Acceptor and Bill Validator Details	49
Connecting an external Bonus For Bucks system	52
Updating Software Revision	53
Receipt.....	55
System Configuration	56
Index.....	57
Appendix A.....	58
Frequently Asked Questions	58
Appendix B.....	59
Trouble Shooting Phone Line, Power System & Grounding	59
Appendix C	65
Example of the Quick Start Five Steps	65
Appendix D	68
Remote Display Option.....	68
Appendix E.....	68
Software Revision History	68
LIMITED WARRANTY	69

Credit Card Processing Features and Benefits

Credit Card Processing Features	Benefits
no computer required	more reliable
on board modem for processing	simple no additional components
operator configurable	future flexibility
unique card processing	saves you money by combining transactions
counts up or down	flexibility
2 card values allow adding time	encourages more usage
install in one or all bays as desired	self contained
accounting via the internet or onboard	monitor and track your profits
only one phone line required	reliable low cost
fleet and gift cards available	promotes customer loyalty

Timer Features and Benefits

Timer Features	Benefits
6 digit display	easy to read and use
2 remote codes for security	limits employee usage
mounting footprint/hole pattern is the same as Dixmor, IDX, and similar timers	easy upgrade of existing equipment
verbally communicates with the customer in English or Spanish (selectable)	promote more usage
remote controlled and password protected	quick and easy changes
multiple bonus configurations	encourage more usage

Continued...

Timer Features and Benefits

Timer Features	Benefits
bonus for bucks	support the customer use of bills vs. coins – increase income and limit the handling of bulky coins
daily specials	attract customer during slower periods
displays actual function (tire cleaner, soap, etc.)	ease of use
adjustable volume levels	customer comfort
coin, bill, card, and wash audits	track income
copy timer settings to all bays	quick setup or change
alarms and bay monitoring	stay up and running



Unless otherwise indicated, PaymentBay LLC owns all intellectual property in this Document, including without limitation, the trademarks, service marks, and tradenames displayed in this Document as well as the copyright of this Document, images, text and screens. The material and information in this Document may not be published, copied, distributed, licensed, modified, sold, used to create a derivative work or otherwise used for public or commercial purposes, without the prior express written permission of PaymentBay LLC.

Product Comparison Chart

Features	Brand A	Brand B	Brand C	QuickPay
Universal mounting		✓	✓	✓
Program Running Time	✓	✓	✓	✓
Program Amount to start	✓	✓	✓	✓
Last coin alert		✓	✓	✓
Grace Time		✓	✓	✓
Remote controlled and password protected		✓	✓	✓
Voice			✓	✓
Coin, bill, card, and wash audits			✓	✓
Monitoring			✓	✓
Wireless connection option			✓	✓
Daily specials		✓		✓
2 remote codes for security			✓	✓
Button or Rotary selection			✓	✓
Alarms				✓
6 digit display				✓
Stand-alone: No Computer required;				✓
No modem required;				✓
No Router required;				✓
No Special Cabling required;				✓
No DSL or Cable internet				✓
				Continued...

Unless otherwise indicated, PaymentBay LLC owns all intellectual property in this Document, including without limitation, the trademarks, service marks, and tradenames displayed in this Document as well as the copyright of this Document, images, text and screens. The material and information in this Document may not be published, copied, distributed, licensed, modified, sold, used to create a derivative work or otherwise used for public or commercial purposes, without the prior express written permission of PaymentBay LLC.

Product Comparison Chart

Features	Brand A	Brand B	Brand C	QuickPay
Supervisory diagnostics including acceptor/validator status – system voltage monitoring				✓
Multiple bonus configurations				✓
Bonus for Bucks				✓
Displays Function				✓
Adjust volume with remote				✓
Copy timer settings to all bays				✓
Integrates with Automatics				✓
Instant start with Card Swipe				✓
Instant decline for bad card				✓
Combined Card Charges				✓

Setup the Telephone Service

- Qwest Choice™ Unlimited for Small Business
- AT&T Business Unlimited Calling Advantage
- Ask your local telephone provider about their options
Also VoIP (Internet Phone) providers offer Unlimited Calling – many VoIP services may operate with our 300 bps non-compressed transmission format i.e. Vonage.
(Note: MagicJack is not approved.)
- Comcast Business Class Voice or Comcast Digital Voice®
VoIP

Quick Start five steps

The five required settings to set up the Quick Pay system.

MINIMUM REQUIREMENTS

- 1) Program Merchant information with Merchant Card.
Enter Pass word #2 and press enter key
Swipe Merchant Card
Acknowledges: “MERCHANT PROGRAMMED”
- 2) Selection of BAY, VAC, VEND.... and number is required
[LINK menu][CATG]
- 3) Set Coin to Start, Start Time, Credit Card Amounts
[STUP menu]
- 4) Selection of CENT, EAST, PACF, MNTN time zone is required
[SYST menu]
- 5) Turn ON the Credit Card(s) you want to process
[MCHT menu]

See Example of the Quick Start Five Steps in Appendix C

Driving Business to your car wash

Using the BONUS features can dramatically increase your Business

- 1) LOTO lottery give free wash time with odds you set
[BONS menu]
- 2) Discount Loyalty Card (requires discount card programmed with merchant account and Card expiration date)
[BONS menu]
- 3) Daily Specials can be set for any Time of Day and any Day of Week.
[BONS menu]

Quick Programming and Setup

Set-up is fast and easily using the Remote Control and Setup Cards.

- 1) Credit Cards. Swiping your Merchant Setup Card automatically Sets-up your QuickPay timer to operate with your Credit Card Processor.
[MRCH menu]
- 2) Setup all you running times & amounts, bonuses, daily specials and other features using the Remote Control.
- 3) Quickly Copy all the Setups and Configuration to all your QuickPay units with a touch of a button
[LINK menu]

REMOTE CONTROL FUNCTION OVERVIEW

Button	Function	Remote
Programming Password Protected Functions:		
Mute	Exits without entering Setting	
VOL+	Navigates Menus	
VOL-	Navigates Menus	
CH+	Changes Settings	
CH-	Changes Settings	
Numbers	Enters Pass Words, Greetings and Receipt Header Title	
Enter	Enters Setting	
Non-Programming Functions		
VOL+	Display Software Revision	
VOL-	Display System Voltage	
CH+ & Enter	Print Duplicate Receipt	
Enter	Display Time/Date	

QUICK MENU OVERVIEW

Main Menu	Sub Menu	Next Sub Menu
Link	Category used for copy	
	Copy	
	Copy? (setting to other bays)	
Setup	Coins to start	
	Time at start	
	Card-1 amount when first swiped	
	Card-2 amount for additional swipes, if set to None timer counts up	
	Maximum amount charged during count up mode	
	Pulse (output 1 or 4 per \$1.00)	
	Tax, sales tax %	
	Alert, end of wash	
	Wash down time	
	Function setup	
	Grace time	
	Greeting message	
Bonus	Time added to each 25¢ after threshold	
	Delay threshold amount	
	Loto	
	Discount card value	
	Buck, Bonus for Buck	
	Specials, daily	Coins to Start Continued...

Quick Pay Users Guide

Main Menu	Sub Menu	Next Sub Menu
		Time to Start
		Select Day or Days
		Select Time for Day
		Select Duration for Day
Counter	Coins	
	Bills	
	Card	
	Wash down	
	Total	
System	Host	Choose: Self Service Automatic Pet wash Vending Machine Token Dispenser
		Modify? Accept
		Print configuration?
	Direction of money count when inserted	
	Type of function control	
	Alarms	
	Gain of modem	
	Password 1, Wash down	
	Password 2, Main access	
	Name on 1 st line of receipt	Continued....

Unless otherwise indicated, PaymentBay LLC owns all intellectual property in this Document, including without limitation, the trademarks, service marks, and tradenames displayed in this Document as well as the copyright of this Document, images, text and screens. The material and information in this Document may not be published, copied, distributed, licensed, modified, sold, used to create a derivative work or otherwise used for public or commercial purposes, without the prior express written permission of PaymentBay LLC.

Quick Pay Users Guide

Main Menu	Sub Menu	Next Sub Menu
	Name on 2 nd line of receipt	
	RF channel for wireless connection	
	Volume, speaker	
	Language setup, English/Spanish	
	Zone, time	
	Date (not required to program)	
	Year (not required to program)	
	Time of day (not required to program)	
Merchant	Phone (not required to program)	
	Prefix, phone dial-out	
	Dial number (view only)	
	User ID number (view only)	
	Account ID number (view only)	
	Location of wash (if more than 1)	
	Cards accepted	American Express
		Discovery
		MasterCard
		Visa
	Transaction type	
	Wait for approval options	
	Charge, Live or Test	

Detailed Programming Guide:

LINK MENU “LINK”

In this menu you can name each of the QuickPay Timers and then copy the Configuration from the master QuickPay Timer to all QuickPay Timers in that <u>same</u> Category [CATG].	
CATG	Select from a list of category descriptions identifying the QuickPay Timer: (BAY, VAC, VEND, Specials) Select an ID number after the Category i.e. 01
COPY	Push Enter QuickPay asks if you want to copy the setup to other QuickPay Timers by displaying CPY?.
CPY?	Push Enter or Mute to escape the COPY menu or push “0” (Zero) on the remote to start the copy/transfer of all settings/configuration of this [sending] QuickPay Timer to all [receiving] QuickPay Times with this category. Note: All QuickPay Timers must have the phone line connected, have the same Revision, and be of the same category in order to copy/transfer the settings.

Example:

Your Carwash has 4 Wash Bays and 6 Vacuums.

The first step is to assign the CATG & number, a Category/ID Number to each Bay and Vac.

The 4 Bays are set as: BAY01, BAY02, BAY03, BAY04.

The 6 Vacs are set as: VAC01, VAC02, VAC03, VAC04, VAC05, VAC06.

The second step is to completely setup or configure One of your Bays and One of your Vacuums. This includes:

SET-UP (Time to start, Coins to Start, Credit Card amount etc.)

BONUS (Bonus Time, Lotto Odds, Discount Card etc.)

SYSTEM (Time Zone, Speaker Volume etc.)

MERCHANT (Merchant Number – Swipe Merchant Card, Credit Cards accepted etc.)

The third step is to COPY (clone) the settings/configuration to all Bays from the Bay you just configured and all the Vacuums from the Vacuum you just configured.

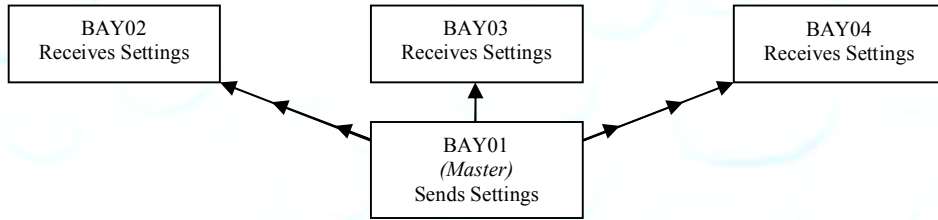
After the Copy process is completed each of the Bays and Vacuums will beep and send an acknowledgment to the Bay or Vacuums that the settings/configuration was transferred from.

The Sending Bay shall display the percentage completed 01% thru 100%, and then go back to the LINK menu.

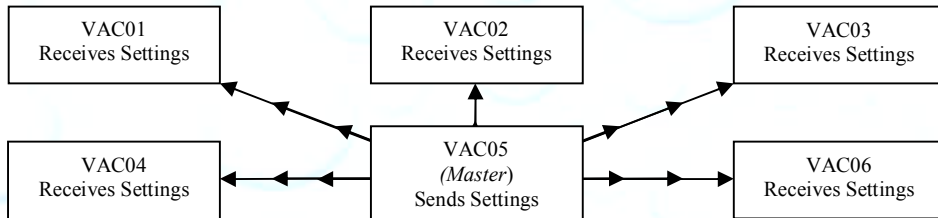
Receiving Bays display percentage completed 01% thru 100%, alternating COPY, initialize 01% thru 100% and scroll COPY COMPLETE until mute is pressed on remote.

Quick Pay Users Guide

Transfer all settings from one master!



Above is an illustration of the settings in BAY01 being transferred to BAY02-04



Above is an illustration of the settings in VAC05 being transferred to VAC01-04,06

The Configuration of the Master Bay or Vacuum shall not be copied under the following conditions:

- 1) The Category of the Master does not match the units to receive settings.
- 2) If 4 wire (2 pair) phone line is not properly connected.
- 3) If there is excessive electrical interference or noise in the area.



Sending: Bay, Vac or Vend unit.

Receiving: Bays, Vacs, Vending units.

SET-UP MENU “STUP”

Sets up the basic timer functions	
COIN	Sets amount to start wash. Ref Table #1. The COIN value must be less or the same as CRD1. Decreasing the COIN value will override and change “Discount” to NONE -- see BONUS menu.
TIME	Sets amount of Time when Starts. Ref Table #1.
CRD1	Sets the amount for the 1 st Card Swipe – must be less than Pre-Auth set-up by the credit card processor. When HOST is set for Tokens [TOKEN] the [CRD1] values are \$1, \$2, \$5, \$10, \$20, \$50, or \$100. The \$50 and \$100 transactions are processed as a Sale and are not an Aggregated Sale requiring a Pre-Auth.
CRD2	<p>A) Amount of additional money to charge a credit card while the wash is active – must be same or less than [CRD1].</p> <p>B) If amount is set to NONE then credit card “count-up mode” is selected</p> <ol style="list-style-type: none"> 1) When a customer swipes a credit card the Timer will scroll “PROCESSING” and begin counting up from 00:00. The Timer will contact the credit card processor and request that the card be charged the amount in [CRD1] 2) The minimum wash time is [TIME] + any amount that [CRD1] is higher than [COIN]. 3) If the customer swipes a card again while the wash is active, the Timer will scroll “IN-USE”. 4) If the customer selects the “OFF” function prior to the time reaching minimum, the Timer will scroll “ENDS AT XX:XX” every 15 seconds. When the time reaches minimum the Timer will end the wash cycle. 5) If the time exceed minimum, and the customer has never selected the “OFF” function, the Timer will scroll “STOP To End CYCLE” 6) If the customer inserts a coin while the Count-Up mode is active, the Timer will switch over to the Count-Down Mode with the wash time at the time per quarter value, after the Count-Up mode has completed. 7) When the Count-Up mode has completed, the display will show the amount that will be charged to the card. If that amount is greater than [CRD1] the Timer will contact the credit card processor and request that the card be charged the new amount. 8) A wash cycle is terminated should the amount that will be charged the card reaches [MAX]. The Timer will contact the credit card processor and request that [MAX] be charged to the card. Continued....

Quick Pay Users Guide

Sets up the basic timer functions	
MAX	Maximum amount of money to charge a credit card while in credit card count-up mode. See Credit Card “Count-up Mode” .[STUP:CRD2]
PULS	Sets The number of Pulse outputs for a dollars worth of value. Either One (1PUL) or Four (4PUL) is selected for every One Dollar in Credit Card Value.
TAX	Sets amount of Time when Starts. Ref Table #1.
ALERT	Sets amount of Time when Starts. Ref Table #1.
WASH	Amount of time provided when the “wash down” password is entered, or the “wash down” card is swiped
FUNC	<p>A) Programs the characteristics of the function outputs PNXX selects the function output connector pin to be programmed/viewed Displays a list of the available function configurations dependent on the HOST setup in the SYS menu; See “Function Lists” below. (The function selected by a customer will be voiced, and scrolled on the display)</p> <p>Note: Available Function Configurations in the SYS - HOST include:</p> <p>SELF - Self Service Carwash AUTO - Automatic Carwash PET - Pet Wash VEND - Vend TOKN - Token Dispenser</p> <p>B) Determine if the “High Pressure” output on the Distribution Board will turn on if this function is selected -- engaging the high pressure pump.</p> <p>C) Percentage to scale the time remaining when the customer selects the function are selectable from 20% to 100% in 10% increments. These scale factors are used with higher product cost functions. 100% is the factory default.</p> <p>Note: If a user has 4:00 of time remaining and switches to a function scaled at 50% -- the timer shall change the time remaining to 2:00 of time, giving the customer less product for the same money. Similarly, if a user is using a function scaled at 50% with 2:00 of time and switches to a normal function the timer shall change to 4:00 of time remaining.</p>

Quick Pay Users Guide

Self Service Function List (Message that will be scrolled and voiced when a customer selects a carwash function)

ALLOY WHEEL CLEANER	FRAGRANCE	RAPID DRY	TRIPLE FOAMING
BUG OFF	GLOSS WAX	RINSE	CONDITIONER
CLEAR COAT	HIGH PRESSURE	RUBBER PROTECT	TURBO VACUUM
DUR-A-SHIELD	RINSE	SHAMPOO	VACUUM
ENG/TIRE CLEANER	LUSTER WAX	SOAP	WASH
ENGINE CLEANER	MARINE FLUSH	SPOT FREE RINSE	WAX
FOAM BRUSH	PRE-SOAK	TIRE CLEANER	WHEEL AND CHROME
FOAM CONDITIONER	RAIN-X	TRIPLE FOAM BRUSH	WHEEL CLEANER

Automatic Wash Function List (Message that will be scrolled and voiced when a customer selects a carwash function)

TBD	TBD	TBD	TBD
TBD	TBD	TBD	TBD
TBD	TBD	TBD	TBD
TBD	TBD	TBD	
TBD	TBD	TBD	
TBD	TBD	TBD	
TBD	TBD	TBD	
TBD	TBD	TBD	

Pet Wash Function List (Message that will be scrolled and voiced when a customer selects a pet-wash function)

TBD	TBD	TBD	TBD
TBD	TBD	TBD	TBD
TBD	TBD	TBD	TBD
TBD	TBD	TBD	
TBD	TBD	TBD	
TBD	TBD	TBD	
TBD	TBD	TBD	
TBD	TBD	TBD	

Vending Function List (Message that will be scrolled and voiced when a customer selects a vend function)

TBD	TBD	TBD	TBD
TBD	TBD	TBD	TBD
TBD	TBD	TBD	TBD
TBD	TBD	TBD	TBD
TBD	TBD	TBD	TBD
TBD	TBD	TBD	TBD
TBD	TBD	TBD	TBD

Quick Pay Users Guide

Sets up the basic timer functions	
GRAC	Grace time. This is the amount of time after a wash cycle completes that a customer can insert money and the wash will restart
GREE	Program a custom greeting message, or select the default message. (Default message selected when custom is not programmed).

Insert a character at the cursor position. Vol-/+ moves cursor.

NOTE: Data entry with the remote keypad operates using the same method as phone text messaging.

1 button: 1 st press: "space" 2 nd press: "1"				
2 button: 1 st press: "A" 2 nd press: "B" 3 rd press: "C" 4 th press: "2"				
3 button: 1 st press: "D" 2 nd press: "E" 3 rd press: "F" 4 th press: "3"				
4 button: 1 st press: "G" 2 nd press: "H" 3 rd press: "I" 4 th press: "4"				
5 button: 1 st press: "J" 2 nd press: "K" 3 rd press: "L" 4 th press: "5"				
6 button: 1 st press: "M" 2 nd press: "N" 3 rd press: "O" 4 th press: "6"				
7 button: 1 st press: "P" 2 nd press: "Q" 3 rd press: "R" 4 th press: "S" 5 th press: "7"				
8 button: 1 st press: "T" 2 nd press: "U" 3 rd press: "V" 4 th press: "8"				
9 button: 1 st press: "W" 2 nd press: "X" 3 rd press: "Y" 4 th press: "Z" 5 th press: "9"				



Note: Truck Wash Owners

The Wash Timer displays and calculates wash time in one (1) second increments. To maintain accurate Wash Times and Wash Prices (especially at today's truck washes where the Price of a wash is over \$1.00 per Minute) it is recommended to use the COIN/TIME values in Table #1 on the next page.

To use Table #1:

- 1) first select the [COIN] the amount of money to start the Wash.
- 2) next look down the column to select a [TIME], a Valid amount of time for the Wash.

Note: Not all [TIME] Values are valid for all [COIN] amounts.

For example: a [COIN] setting of \$1.75 for 4:00 is not shown because it is 34.29 seconds per 25¢ – however \$1.75 for 4:05 is a Valid setting because it is exactly 35.00 seconds per 25¢.

If you are accepting credit cards only, the COIN can be any value less than CRD1 and the TIME amounts can be any value in Table #1.

See Table #1 on the next page showing Valid COIN and TIME setups.



Quick Pay Users Guide

Table 1

Table 1		COIN settings in the STUP menu																											
Price per Minute	Seconds per 25¢	\$0.25	\$0.50	\$0.75	\$1.00	\$1.25	\$1.50	\$1.75	\$2.00	\$2.25	\$2.50	\$2.75	\$3.00	\$3.25	\$3.50	\$3.75	\$4.00	\$4.25	\$4.50	\$4.75	\$5.00	\$5.25	\$5.50	\$5.75	\$6.00	\$6.25	\$6.50		
		TIME settings in the STUP menu providing exact TIME/COIN conversions																											
\$3.00	5	00:05	00:10	00:15	00:20	00:25	00:30	00:35	00:40	00:45	00:50	00:55	01:00	01:05	01:10	01:15	01:20	01:25	01:30	01:35	01:40	01:45	01:50	01:55	02:00	02:05	02:10		
\$2.50	6				00:30						01:00										02:00					02:30			
\$2.14	7				00:35						01:10										02:20					02:55			
\$1.88	8				00:40						01:20										02:40					03:20			
\$1.67	9				00:45						01:30										03:00					03:45			
\$1.50	10	00:10	00:20	00:30	00:40	00:50	01:00	01:10	01:20	01:30	01:40	01:50	02:00	02:10	02:20	02:30	02:40	02:50	03:00	03:10	03:20	03:30	03:40	03:50	04:00	04:10	04:20		
\$1.36	11				00:55						01:50										03:40					04:35			
\$1.25	12				01:00						02:00										04:00					05:00			
\$1.15	13				01:05						02:10										04:20					05:25			
\$1.07	14				01:10						02:20										04:40					05:50			
\$1.00	15	00:15	00:30	00:45	01:00	01:15	01:30	01:45	02:00	02:15	02:30	02:45	03:00	03:15	03:30	03:45	04:00	04:15	04:30	04:45	05:00	05:15	05:30	05:45	06:00	06:15	06:30		
\$0.94	16				01:20						02:40										05:20					06:40			
\$0.88	17				01:25						02:50										05:40					07:05			
\$0.83	18				01:30						03:00										06:00					07:30			
\$0.79	19				01:35						03:10										06:20					07:55			
\$0.75	20	00:20	00:40	01:00	01:20	01:40	02:00	02:20	02:40	03:00	03:20	03:40	04:00	04:20	04:40	05:00	05:20	05:40	06:00	06:20	06:40	07:00	07:20	07:40	08:00	08:20	08:40		
\$0.71	21				01:45						03:30										07:00					08:45			
\$0.68	22				01:50						03:40										07:20					09:10			
\$0.65	23				01:55						03:50										07:40					09:35			
\$0.63	24				02:00						04:00										08:00					10:00			
\$0.60	25	00:25	00:50	01:15	01:40	02:05	02:30	02:55	03:20	03:45	04:10	04:35	05:00	05:25	05:50	06:15	06:40	07:05	07:30	07:55	08:20	08:45	09:10	09:35	10:00	10:25	10:50		
\$0.58	26				02:10						04:20										08:40					10:50			
\$0.56	27				02:15						04:30										09:00					11:15			
\$0.54	28				02:20						04:40										09:20					11:40			
\$0.52	29				02:25						04:50										09:40					12:05			
\$0.50	30	00:30	01:00	01:30	02:00	02:30	03:00	03:30	04:00	04:30	05:00	05:30	06:00	06:30	07:00	07:30	08:00	08:30	09:00	09:30	10:00	10:30	11:00	11:30	12:00	12:30	13:00		
\$0.48	31				02:35						05:10										10:20					12:55			
\$0.47	32				02:40						05:20										10:40					13:20			
\$0.45	33				02:45						05:30										11:00					13:45			
\$0.44	34				02:50						05:40										11:20					14:10			
\$0.43	35	00:35	01:10	01:45	02:20	02:55	03:30	04:05	04:40	05:15	05:50	06:25	07:00	07:35	08:10	08:45	09:20	09:55	10:30	11:05	11:40	12:15	12:50	13:25	14:00	14:35	15:10		
\$0.42	36				03:00						06:00										12:00					15:00			
\$0.41	37				03:05						06:10										12:20					15:25			
\$0.39	38				03:10						06:20										12:40					15:50			
\$0.38	39				03:15						06:30										13:00					16:15			
\$0.38	40	00:40	01:20	02:00	02:40	03:20	04:00	04:40	05:20	06:00	06:40	07:20	08:00	08:40	09:20	10:00	10:40	11:20	12:00	12:40	13:20	14:00	14:40	15:20	16:00	16:40	17:20		
\$0.37	41				03:25						06:50										13:40					17:05			
\$0.36	42				03:30						07:00										14:00					17:30			
\$0.35	43				03:35						07:10										14:20					17:55			
\$0.34	44				03:40						07:20										14:40					18:20			
\$0.33	45	00:45	01:30	02:15	03:00	03:45	04:30	05:15	06:00	06:45	07:30	08:15	09:00	09:45	10:30	11:15	12:00	12:45	13:30	14:15	15:00	15:45	16:30	17:15	18:00	18:45	19:30		
\$0.33	46				03:50						07:40										15:20					19:10			
\$0.32	47				03:55						07:50										15:40					19:35			
\$0.31	48				04:00						08:00										16:00					20:00			
\$0.31	49				04:05						08:10										16:20					20:25			
\$0.30	50	00:50	01:40	02:30	03:20	04:10	05:00	05:50	06:40	07:30	08:20	09:10	10:00	10:50	11:40	12:30	13:20	14:10	15:00	15:50	16:40	17:30	18:20	19:10	20:00	20:50	21:40		
\$0.29	51				04:15						08:30										17:00					21:15			
\$0.29	52				04:20						08:40										17:20					21:40			
\$0.28	53				04:25						08:50										17:40					22:05			
\$0.28	54				04:30						09:00										18:00					22:30			
\$0.27	55	00:55	01:50	02:45	03:40	04:35	05:30	06:25	07:20	08:15	09:10	10:05	11:00	11:55	12:50	13:45	14:40	15:35	16:30	17:25	18:20	19:15	20:10	21:05	22:00	22:55	23:50		
\$0.27	56				04:40						09:20										18:40					23:20			
\$0.26	57				04:45						09:30										19:00					23:45			
\$0.26	58				04:50						09:40										19:20					24:10			
\$0.25	59				04:55						09:50										19:40					24:35			
\$0.25	60	01:00	02:00	03:00	04:00	05:00	06:00	07:00	08:00	09:00	10:00	11:00	12:00	13:00	14:00	15:00	16:00	17:00	18:00	19:00	20:00	21:00	22:00	23:00	24:00	25:00	26:00		

Unless otherwise indicated, PaymentBay LLC owns all intellectual property in this Document, including without limitation, the trademarks, service marks, and tradenames displayed in this Document as well as the copyright of this Document, images, text and screens. The material and information in this Document may not be published, copied, distributed, licensed, modified, sold, used to create a derivative work or otherwise used for public or commercial purposes, without the prior express written permission of PaymentBay LLC.

BONUS MENU “BONS”

Sets up customer carwash bonuses method	
TIME	Amount of additional time that will be added to an active wash cycle for each twenty five cents (or the amount of quarters, representing the equivalent bill or credit card value) entered. Bonus time will only be added when the total amount of money entered reaches/exceeds the programmed value on [DLAY].
DLAY	Amount of coins entered to activate the “delayed bonus” feature. Note: TIME and DLAY work together to reward the customer when they insert more money than needed to start the carwash. The customer receives bonus [TIME] for each 25¢ increment over the DLAY amount which is set to more money than is necessary to start car wash, the [COIN] amount in the [SET-UP] menu.
LOTO	Lottery feature. A winner is determined after a customer’s initial insertion of a quarter, bill, or credit card swipe. A winner will receive the amount they inserted plus [COIN] amount in the [SET-UP] menu, a free wash. A win will result in the display flashing “YOU WIN \$X.XX” and the horn beeping. Odds are set for COIN, BILL, and/or CARD. ODDS Select the odds of winning (2:1, 5:1, 10:1, 25:1, 50:1, 75:1, 100:1 and 200:1). The odds of winning are actually random.
DISC 	Discount card value. If a customer swipes a valid discount card they will receive the amount of money programmed. NOTE: The discount card is programmed with an expiration date and the carwash owners Account ID. The card is accepted only if it is not expired and the ID matches the Timers ID
BUCK  Patent Pending	Bonus For Bucks. Set up bonuses for using a \$1 or \$5 Bill. Encourages customer to use currency vs. coin. \$1 (One Dollar) – up to \$0.75 can be added to the wash if a dollar bill is used. 0, 25¢, 50¢ or 75¢. If a \$2 (Two Dollar) bill is used the \$1 (One Dollar) bonus is doubled. \$5 (Five Dollar) – up to \$1.75 can be added to the wash if a five dollar bill is used. 0, 25¢, 50¢ or 75¢, \$1.00, \$1.25, \$1.50, \$1.75 \$10 (Five Dollar) – up to \$1.75 can be added to the wash if a ten dollar bill is used. 0 thru \$3.75 \$20 (Twenty Dollar) – up to \$7.75 can be added to the wash if a twenty dollar bill is used. 0 thru \$7.75

Quick Pay Users Guide

Sets up customer carwash bonuses method	
SPCL	Specials. A daily special can be set with a lower Coin Amount [SPCL:COIN] and Start Time Amount [SPCL:TIME] for any day or Days [SPCL:SUN....SAT] of the week, at any time of day and for any duration [SPCL:DUR] of time up to 24 hours.

COUNTER MENU “CNTR”

View coin, bill and credit card counts and the number of times the wash-down was used	
COIN	Display the amount of quarters entered (Counter will rollover to 0000 when 10,000 is reached)
BILL	Display the amount of quarters, representing the equivalent bill value (Counter will rollover to 0000 when 10,000 is reached)
CARD	Display the amount of quarters, representing the equivalent credit card charges (Counter will rollover to 0000 when 10,000 is reached)
WASH	Display the number of times the “Wash Down” feature has been performed (Counter will rollover to 0000 when 10,000 is reached)
TOTL	Display the total of COIN, BILL and CARD (Counter will rollover to 0000 when 10,000 is reached)

SYSTEM MENU “SYST”

Sets up system function, unit type and unit number	
HOST	<p>Configures HOST as:</p> <p>SELF Self Service Carwash, AUTO Automatic Carwash, PET Pet Wash, VEND Vend, TOKN Token Dispenser MOD? If you want to change - press Enter. Changing the above configurations will also reconfigure the Menu structure. PNT? Also allows you to Print the Current Configuration. NO Pressing enter will exit print YES Pressing enter will print Configuration</p>
DIR	<p>Determines how the Timer displays the money inserted. “UP” will count up from \$0.00; “DOWN” will count down beginning from the amount programmed in [SET-UP]:[COIN]</p>
TYPE	<p>Determines the method of output control:</p> <p>ROTARY ONLY A Rotary switch is wired to the Timer and the function solenoids/relays. ROTARY W/TRIAC A Rotary switch is wired to the Timer and a Distribution Board is incorporated (See Note). PUSHBUTTON W/TRIAC A Pushbutton switch array is wired to the Timer and a Distribution Board is incorporated (See Note). KEYPAD W/TRIAC A Keypad switch is ribbon cabled to the Timer and a Distribution Board is incorporated (See Note). Note: A Distribution Board is a device that is wired to the solenoids/relays, enabling the Timer to control the functions directly. The Timer communicates over a single cable to the Distribution Board which can be remotely located anywhere in the Carwash building, thus reducing the length of wiring with the solenoids/relays.</p>

Quick Pay Users Guide

Sets up system function, unit type and unit number	
ALRM	<p>Sets up unused Function Inputs P63 Pins 12(AL12), 13(AL13), 14(AL14) and, P61 Pin 8(AL15) as Alarms. Alarms are displayed and sent to PaymentBay.com. See Connector Description.</p> <p>Each Alarm Input Pin 12-14 (P63) and Pin 8 (P61) is set as: NONE = no alarm is available for the Pin LOW *= Activates with loss of 24 VAC Hot HIGH* = Activates when pin is pulled to 24 VAC Hot Delay setting 00:00 to 20:00, activates after delay settings.</p> <p>Summary of all ALARMS, Error/Service Code Messages</p> <p>Code-12 =Wired alarm Pin #12 of Conn P63 <i>used w/ ROTORY or Automatic</i> Code-13 =Wired alarm Pin #13 of Conn P63 <i>used w/ ROTORY or Automatic</i> Code-14 = Wired alarm Pin #14 of Conn P63 <i>used w/ ROTORY, Push Button or Automatic</i> Code-15 = Wired alarm Pin #08 of Conn P61 <i>used with Push Button or *Common is considered High Automatic</i> *Open is considered Low Code-16 = Coin input is stuck / Token Dispenser malfunction Code-17 = Dollar input is stuck Code-18 = TBD Future Code-19 = TBD Future Code-20 = Distribution Board not Communicating Code-30 = Dial out issue, check phone line. Disconnect/reconnect power to reset.</p>
GAIN	Adjusts the Modem Attenuation to -8dB, -9dB, -10dB or -11dB. Default is -8dB (the higher the number the less the gain). See Appendix B.
PAS1	Program the “Wash Down” password (#1). Default is 5678.
PAS2	Program the password (#2) used to gain access to the programming mode. Default is 1234.
NAM1	Receipt Header. 1 st Line of the Merchant/Business name on the Credit Card printed receipt.
NAM2	Receipt Header. 2 nd Line of the Merchant/Business name on Receipt.

Quick Pay Users Guide













Insert a character at the cursor position. Vol-/+ moves cursor.
NOTE: Data entry with the remote keypad operates using the same method as phone text messaging.



1 button: 1st press: "space" 2nd press: "1"
 2 button: 1st press: "A" 2nd press: "B" 3rd press: "C" 4th press: "2"
 3 button: 1st press: "D" 2nd press: "E" 3rd press: "F" 4th press: "3"
 4 button: 1st press: "G" 2nd press: "H" 3rd press: "I" 4th press: "4"
 5 button: 1st press: "J" 2nd press: "K" 3rd press: "L" 4th press: "5"
 6 button: 1st press: "M" 2nd press: "N" 3rd press: "O" 4th press: "6"
 7 button: 1st press: "P" 2nd press: "Q" 3rd press: "R" 4th press: "S" 5TH press: "7"
 8 button: 1st press: "T" 2nd press: "U" 3rd press: "V" 4th press: "8"
 9 button: 1st press: "W" 2nd press: "X" 3rd press: "Y" 4th press: "Z" 5TH press: "9"

Sets up system function, unit type and unit number	
RF	Normally not used --Channel address of the RF transceiver
VOL	Select the audio volume (00=off, 15= maximum). The level selected will be voiced as CH-/+ are pressed
LANG	Determine how the Timer's speaks. (English only, Spanish only, English then Spanish, or Spanish then English)
ZONE	Select the time zone where the timer is located (Pacific, Mountain, Central, Eastern)
DATE	Not required to program
YEAR	Not required to program
TIME	Not required to program

MERCHANT MENU “MCHT”

Sets the unit up for credit card processing																	
PHONE	Not required to program PH-1 thru PH-8																
PREX	Select the dial-out prefix [NONE], [1-], [9-], [9-1-]																
DIAL	View only reference number.																
USER	View only User ID. Initially setup by swiping Merchant Card.																
ACCT	View only Account ID. Initially setup by swiping Merchant Card.																
LOC	Select the Carwash Location if you have more than one site.																
CARD	<table border="0"> <tr> <td></td> <td>AMEX</td> <td>American Express®</td> <td>Set ON/OFF</td> </tr> <tr> <td></td> <td>DISC</td> <td>Discover Card®</td> <td>Set ON/OFF</td> </tr> <tr> <td></td> <td>MAST</td> <td>MasterCard/Fleet MC®</td> <td>Set ON/OFF Defaults ON</td> </tr> <tr> <td></td> <td>VISA</td> <td>Visa®</td> <td>Set ON/OFF Defaults ON</td> </tr> </table>		AMEX	American Express®	Set ON/OFF		DISC	Discover Card®	Set ON/OFF		MAST	MasterCard/Fleet MC®	Set ON/OFF Defaults ON		VISA	Visa®	Set ON/OFF Defaults ON
	AMEX	American Express®	Set ON/OFF														
	DISC	Discover Card®	Set ON/OFF														
	MAST	MasterCard/Fleet MC®	Set ON/OFF Defaults ON														
	VISA	Visa®	Set ON/OFF Defaults ON														
TRAN	<p>Not required to program. AGG or Sale, Defaults to AGG</p> <p>AGG Groups all Credit Card Transactions (Bays, Vacs, Vending etc.) from an individual customer. Reduces processing Costs</p> <p>SALE Each swipe of a Credit Card is one Transaction with the Processor.</p>																
WAIT	<p>Not required to program. INST, DLAY, APPV, Defaults to INST</p> <p>INST Instantly Starts the car wash. Wash stops if card is Declined. Used for Bay Washes, Vacs or Automatics.</p> <p>DLAY Slight Delay before wash Starts. Allows more time for an approval. Used for Automatics since most customers are waiting in line regardless.</p> <p>APPV Waits until a confirmed Credit Approval. Verifies the Credit Card is absolutely valid before dispensing anything of greater value. Used for Token Dispensing or Vending.</p>																
CHRG	<p>Not required to program. LIVE or TEST, Defaults to LIVE</p> <p>LIVE Always powers up as a Live Terminal.</p> <p>TEST Used only to Test Terminal without charging a Credit Card.</p>																
XCRD	<p>Extra Cards Set up Fleet/Gift Accounts. Call Etowah Valley Equipment to Activate</p> <p>Note: The Fleet Card and Gift Card features are very powerful and easy to use. The Fleet/Gift feature can be setup on one Quick Pay unit or many QuickPay units at multiple locations and multiple accounts. You can track and bill your customers with or without the PaymentBay web site.</p>																

Quick Pay Users Guide

FLEET MasterCard®

Set your Fleet customers up with QuickPay's Fleet MasterCard.



Contact Etowah Valley Equipment.

PRINTING A CREDIT CARD RECEIPT

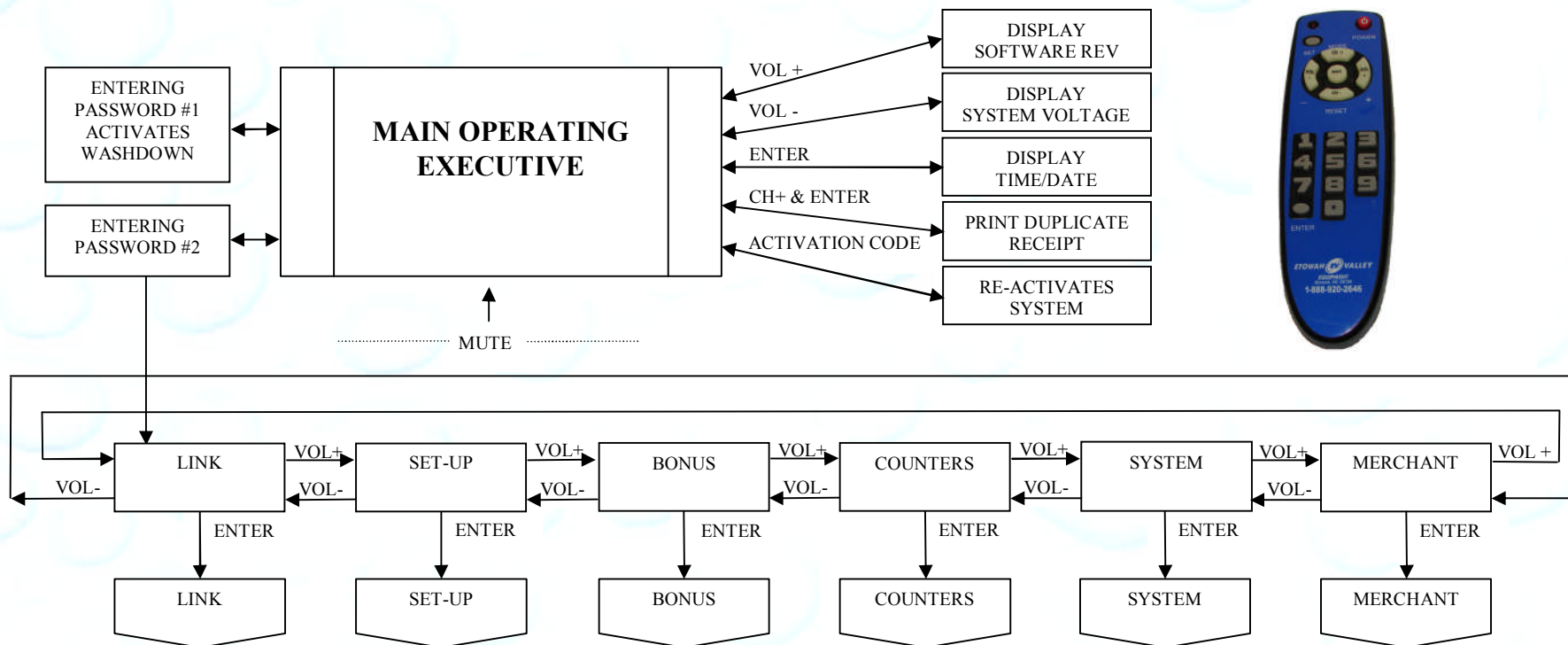
If a printer is connected to the Terminal a receipt is printed each time a Wash is completed using a Credit Card.

The last Credit Card transaction may be printed at any time if you Push CH+ and then Push Enter on the remote. This is helpful if you run out of paper and wish to print the last receipt.

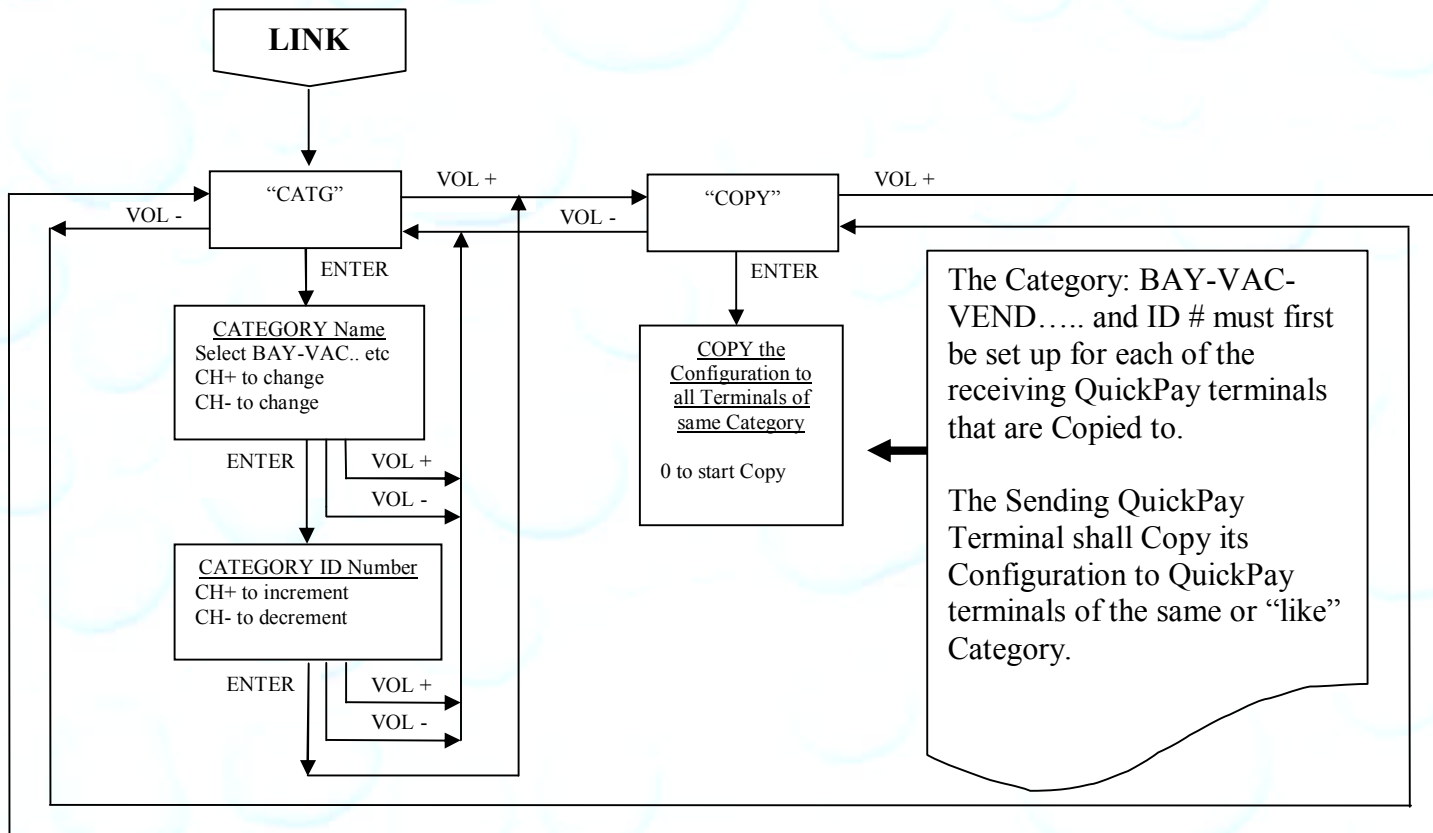
Using the IR REMOTE (TV remote) to Setup the Quick Pay Unit.

When the Quick Pay unit is powered up it is in the “Main Operating Executive” ready to accept credit cards, coins or dollars.

- To enter Wash Down enter 1st password, [Enter], (default password is 5678, [Enter]).
- To change program unit enter 2nd password (the main password), [Enter] (default password is 1234, [Enter]).
- To Display Revision Push [VOL+]
- To Display System Voltage, Push [VOL -]
- To Display Time/Date Push [Enter]
- To Print a duplicate Credit Card Receipt Push [CH+] and then Push [Enter]
- To Re-Activate Quick Pay System enter five (5) digit Activation Code (XXXXX) or (00000).

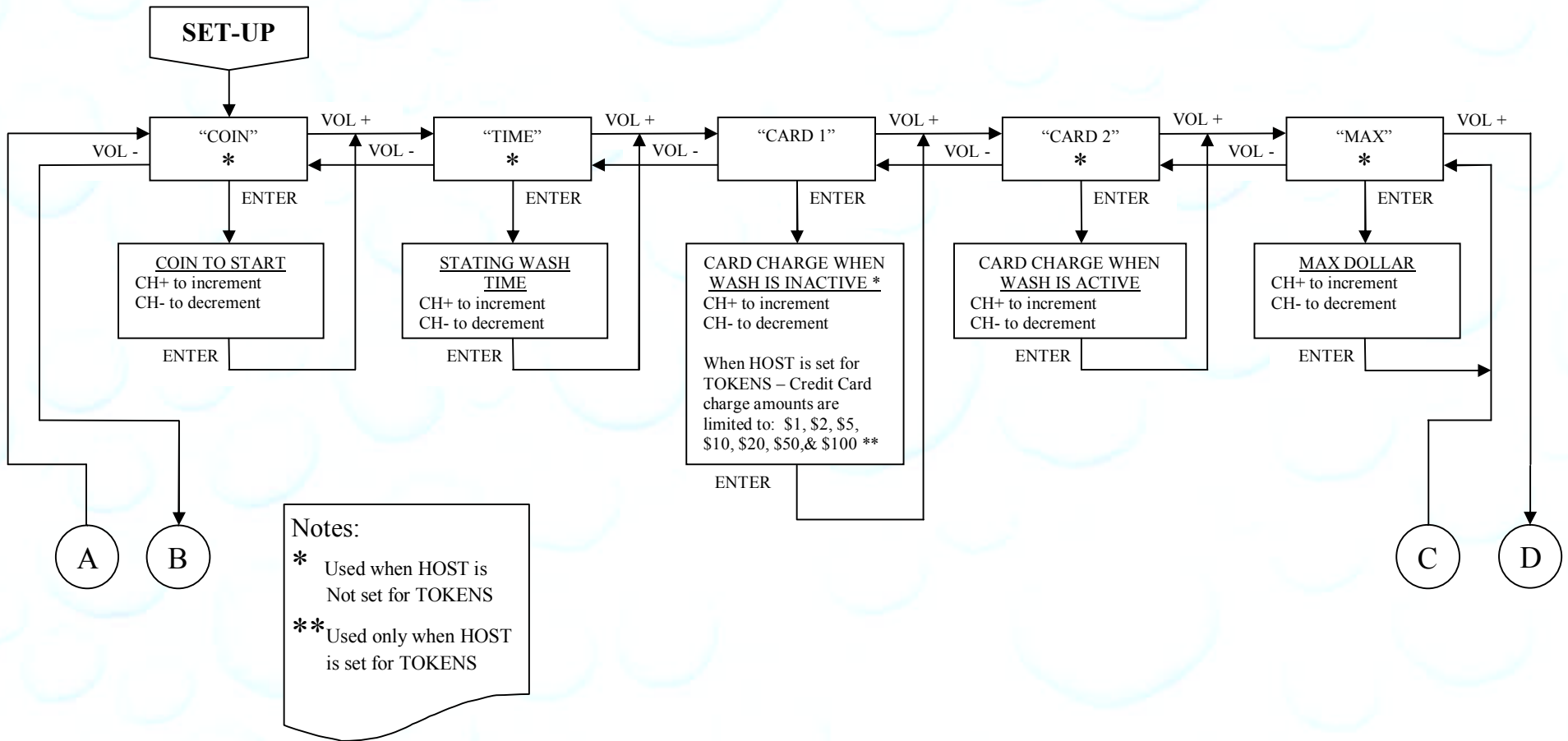


Quick Pay Users Guide

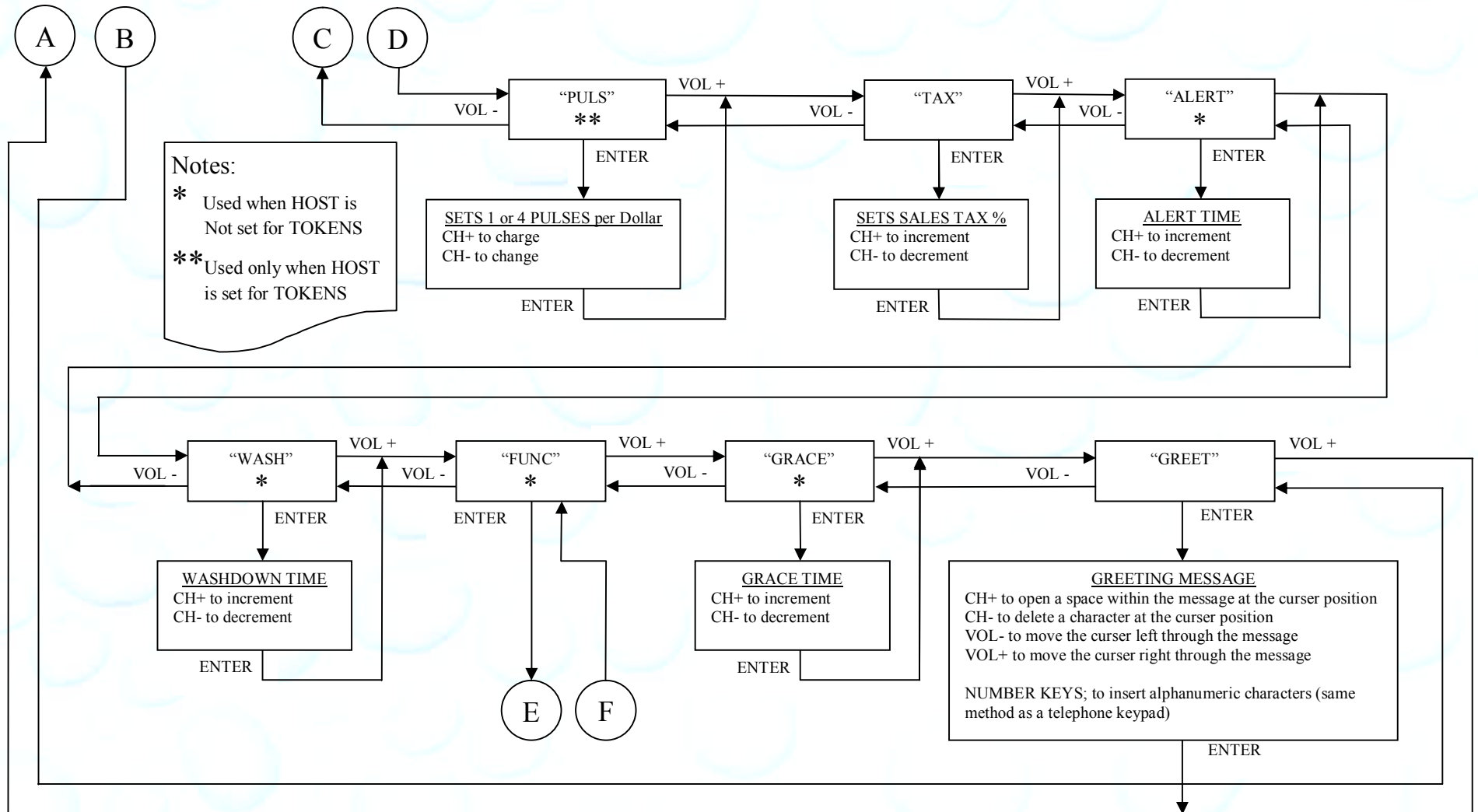


Unless otherwise indicated, PaymentBay LLC owns all intellectual property in this Document, including without limitation, the trademarks, service marks, and tradenames displayed in this Document as well as the copyright of this Document, images, text and screens. The material and information in this Document may not be published, copied, distributed, licensed, modified, sold, used to create a derivative work or otherwise used for public or commercial purposes, without the prior express written permission of PaymentBay LLC.

Quick Pay Users Guide

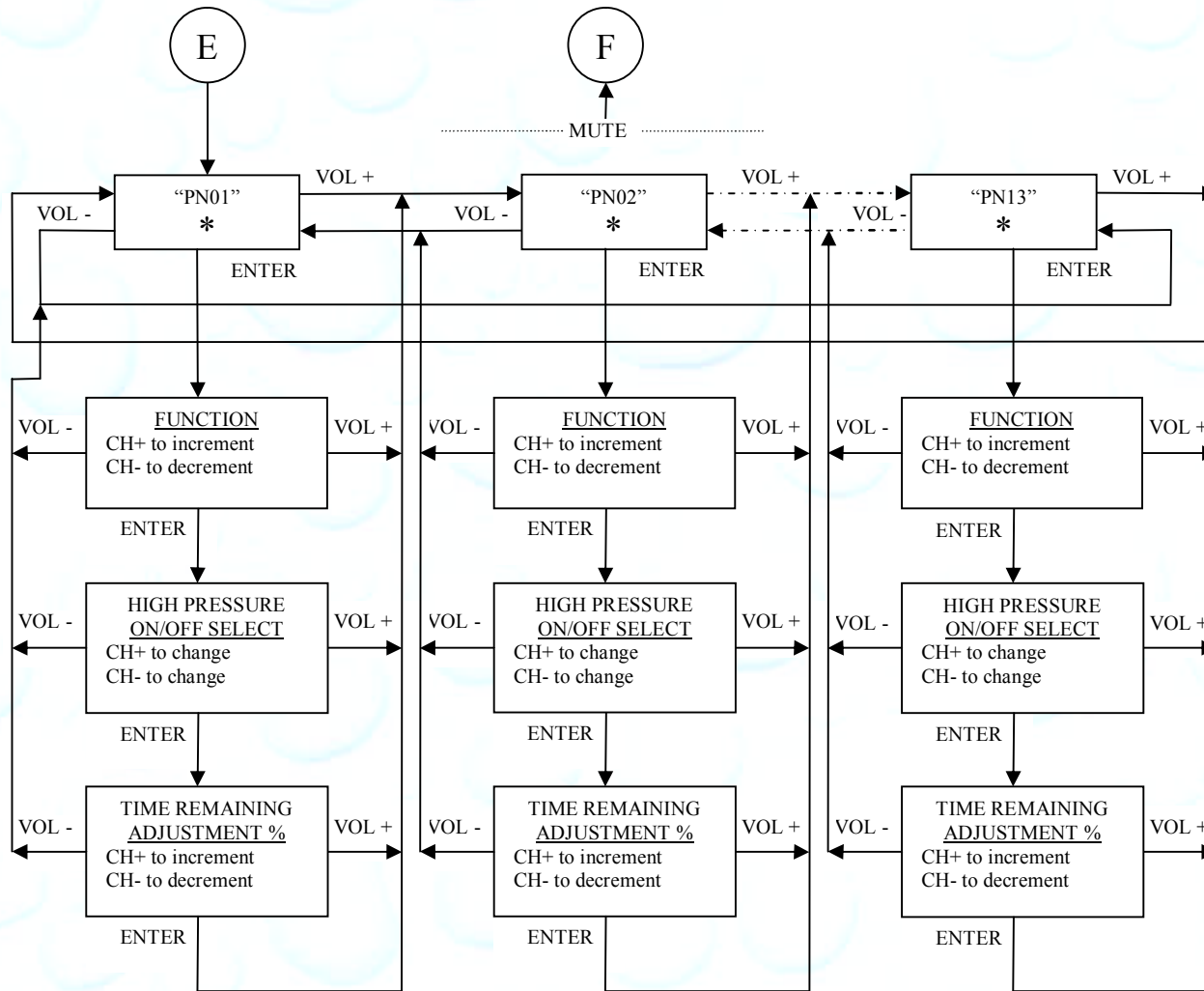


Quick Pay Users Guide



Unless otherwise indicated, PaymentBay LLC owns all intellectual property in this Document, including without limitation, the trademarks, service marks, and tradenames displayed in this Document as well as the copyright of this Document, images, text and screens. The material and information in this Document may not be published, copied, distributed, licensed, modified, sold, used to create a derivative work or otherwise used for public or commercial purposes, without the prior express written permission of PaymentBay LLC.

Quick Pay Users Guide



FUNCTION

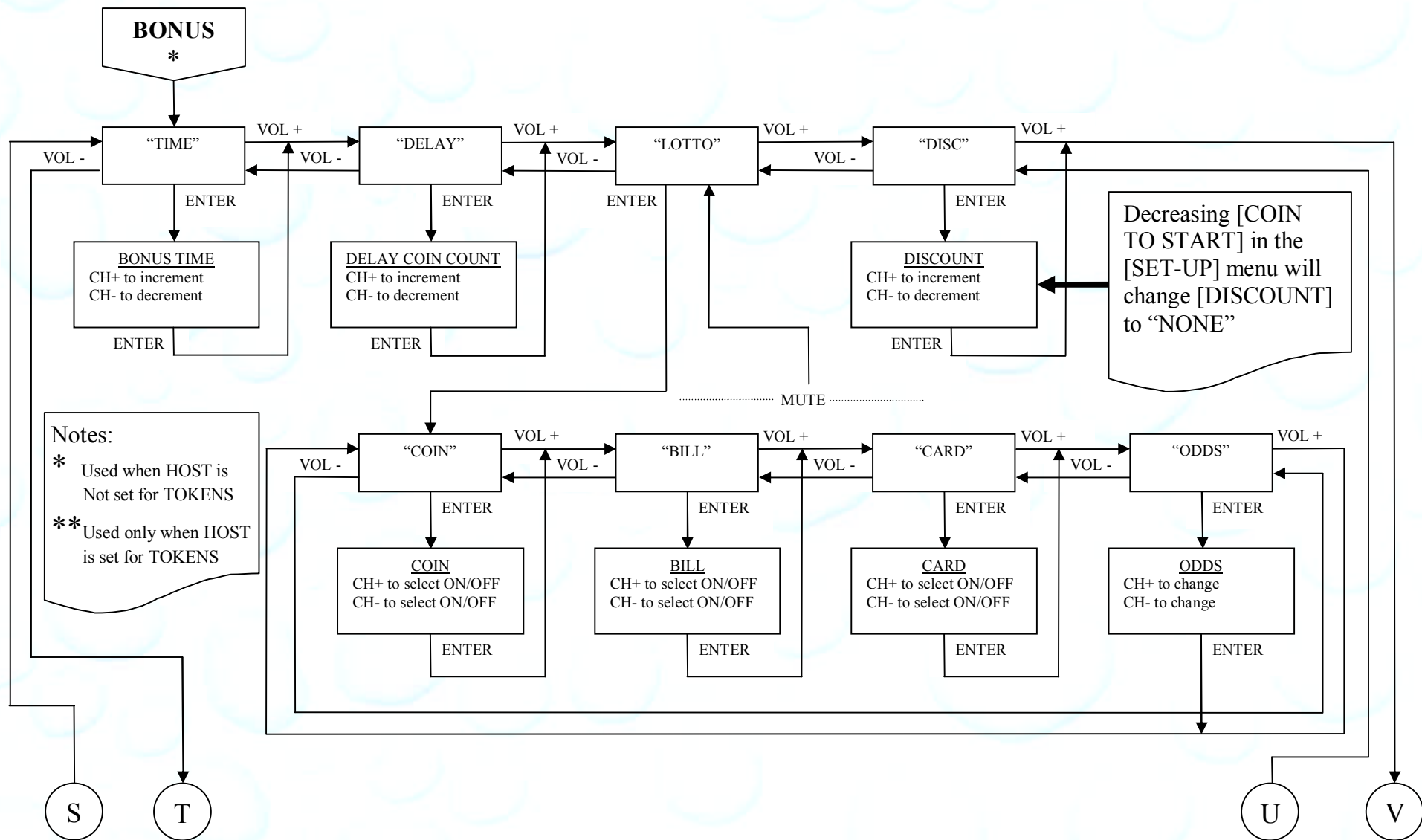
- 1) Pressing <MUTE> while displaying [PNxx] will redirect back to [FUNCT]
- 2) CH+ and CH- step through the function list

FUNCTION LIST

- ALLOY WHEEL CLEANER
- BUG OFF
- CLEAR COAT
- DUR-A-SHIELD
- ENG/TIRE CLEANER
- ENGINE CLEANER
- FOAM BRUSH
- FOAM CONDITIONER
- FRAGRANCE
- GLOSS WAX
- HIGH PRESSURE RINSE
- LUSTER WAX
- MARINE FLUSH
- PRE-SOAK
- RAIN-X
- RAPID DRY
- RINSE
- RUBBER PROTECT
- SHAMPOO
- SOAP
- SPOT FREE RINSE
- TIRE CLEANER
- TRIPLE FOAM BUSH
- TRIPLE FOAMING CONDITIONER
- TURBO VACUUM
- VACUUM
- WASH
- WAX
- WHEEL AND CHROME
- WHEEL CLEANER

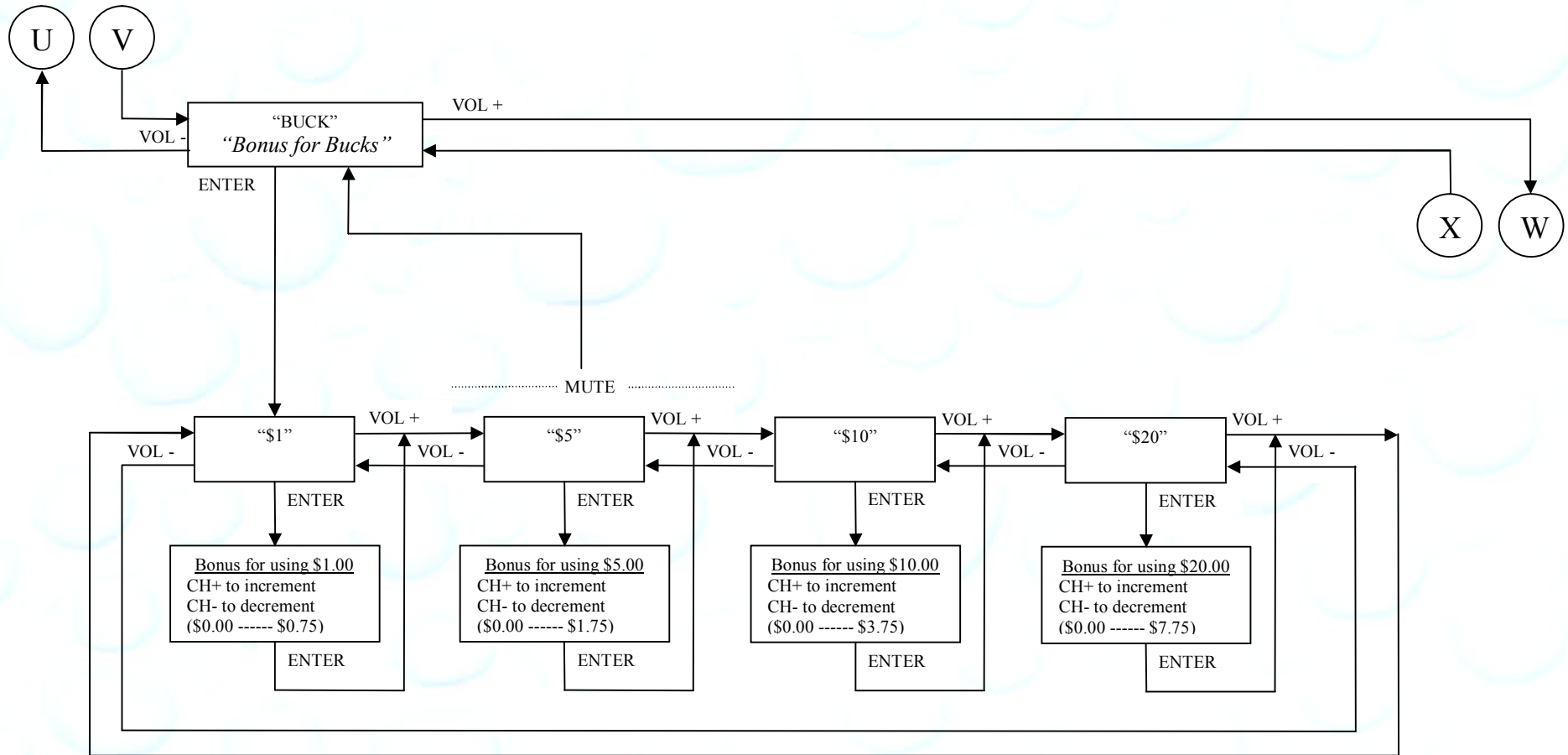
Unless otherwise indicated, PaymentBay LLC owns all intellectual property in this Document, including without limitation, the trademarks, service marks, and tradenames displayed in this Document as well as the copyright of this Document, images, text and screens. The material and information in this Document may not be published, copied, distributed, licensed, modified, sold, used to create a derivative work or otherwise used for public or commercial purposes, without the prior express written permission of PaymentBay LLC.

Quick Pay Users Guide



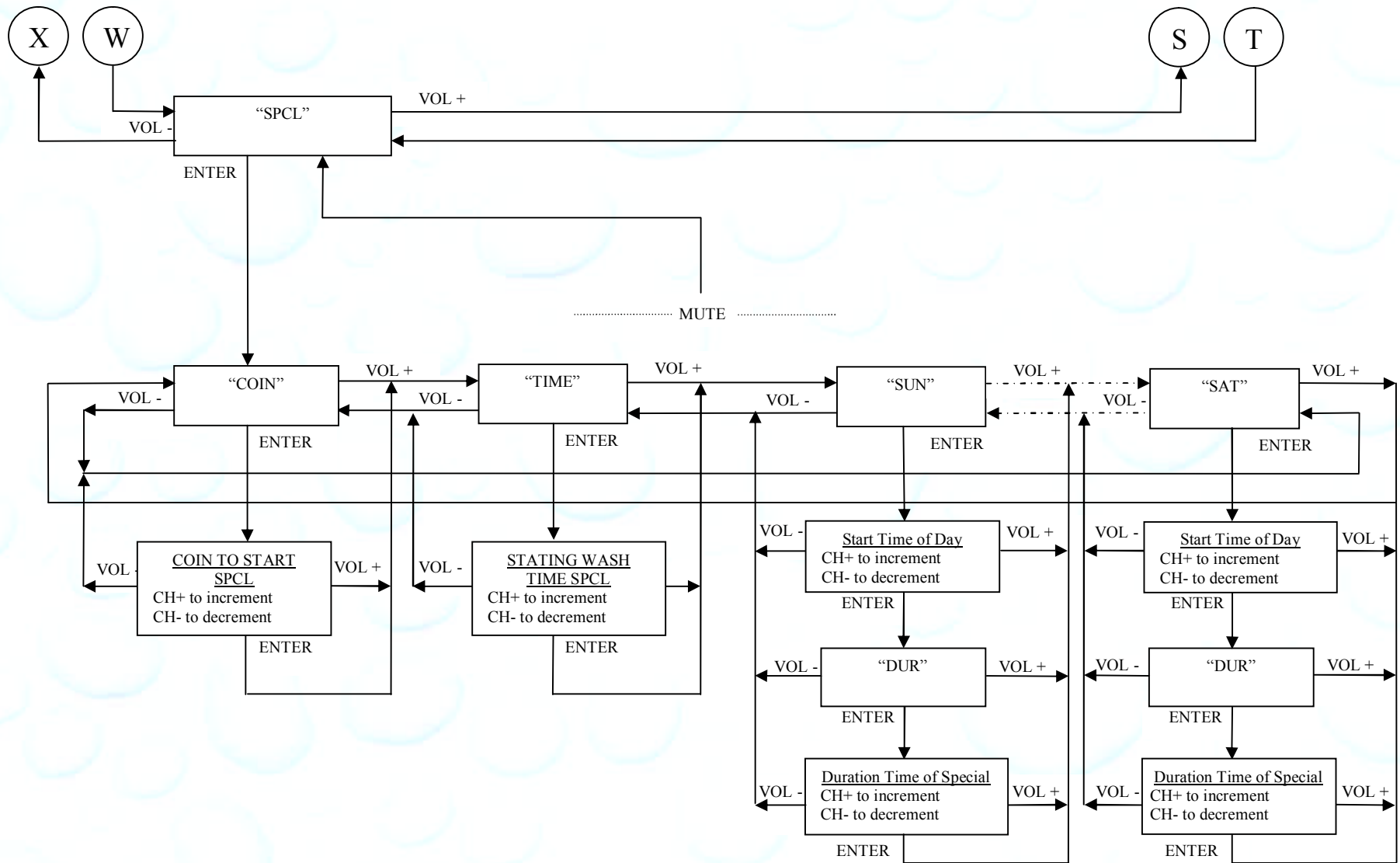
Unless otherwise indicated, PaymentBay LLC owns all intellectual property in this Document, including without limitation, the trademarks, service marks, and tradenames displayed in this Document as well as the copyright of this Document, images, text and screens. The material and information in this Document may not be published, copied, distributed, licensed, modified, sold, used to create a derivative work or otherwise used for public or commercial purposes, without the prior express written permission of PaymentBay LLC.

Quick Pay Users Guide



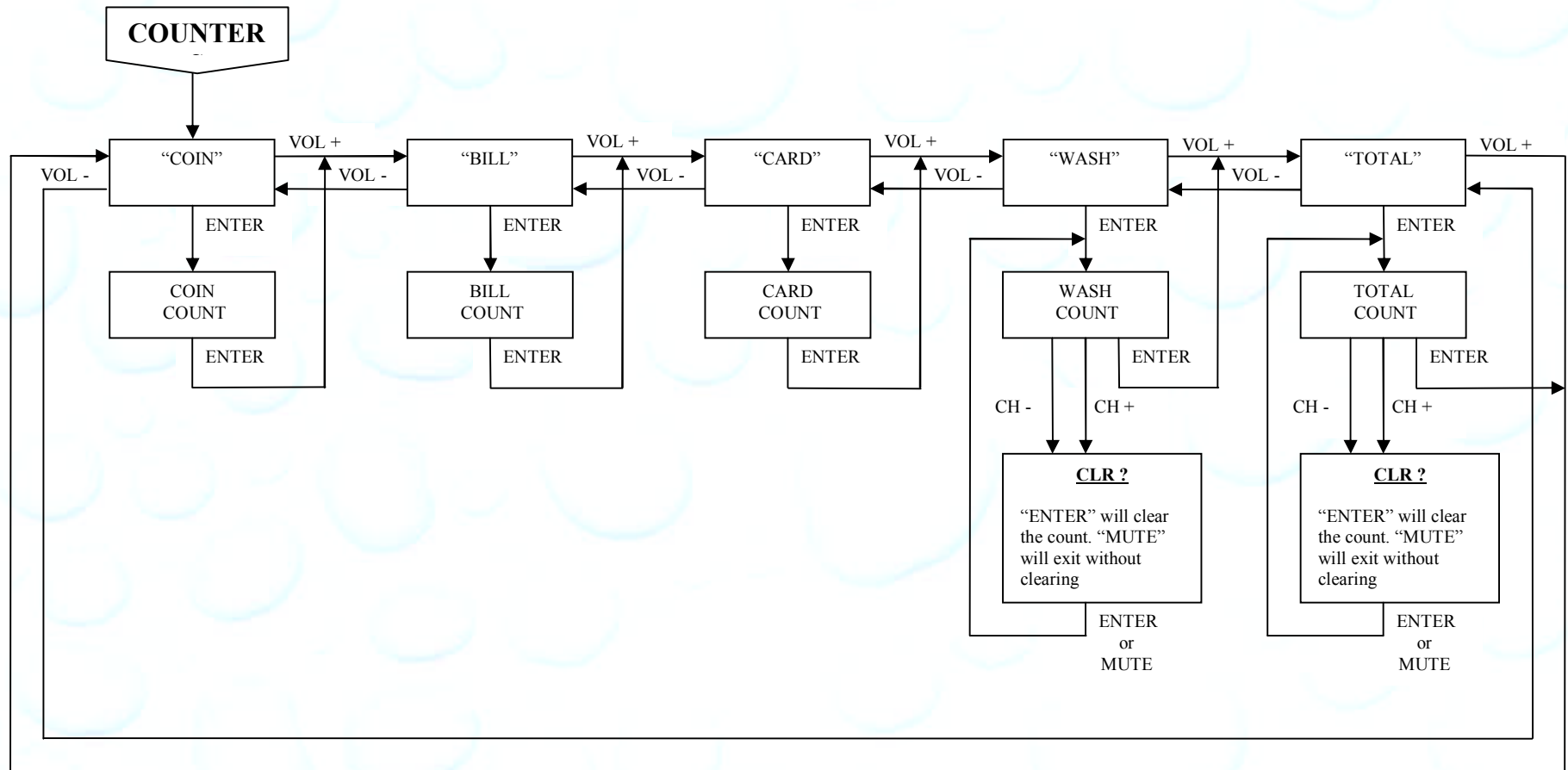
Unless otherwise indicated, PaymentBay LLC owns all intellectual property in this Document, including without limitation, the trademarks, service marks, and tradenames displayed in this Document as well as the copyright of this Document, images, text and screens. The material and information in this Document may not be published, copied, distributed, licensed, modified, sold, used to create a derivative work or otherwise used for public or commercial purposes, without the prior express written permission of PaymentBay LLC.

Quick Pay Users Guide



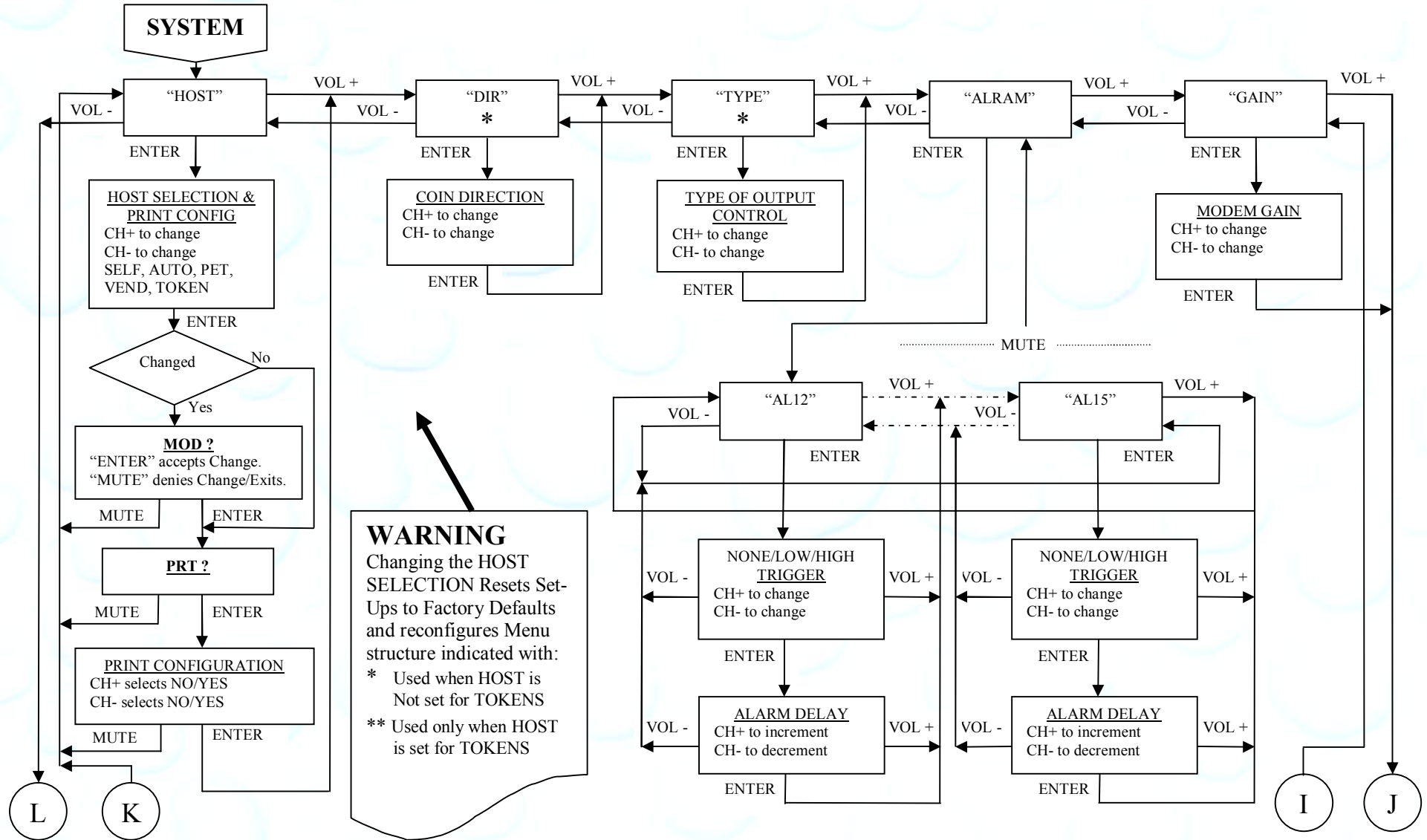
Unless otherwise indicated, PaymentBay LLC owns all intellectual property in this Document, including without limitation, the trademarks, service marks, and tradenames displayed in this Document as well as the copyright of this Document, images, text and screens. The material and information in this Document may not be published, copied, distributed, licensed, modified, sold, used to create a derivative work or otherwise used for public or commercial purposes, without the prior express written permission of PaymentBay LLC.

Quick Pay Users Guide



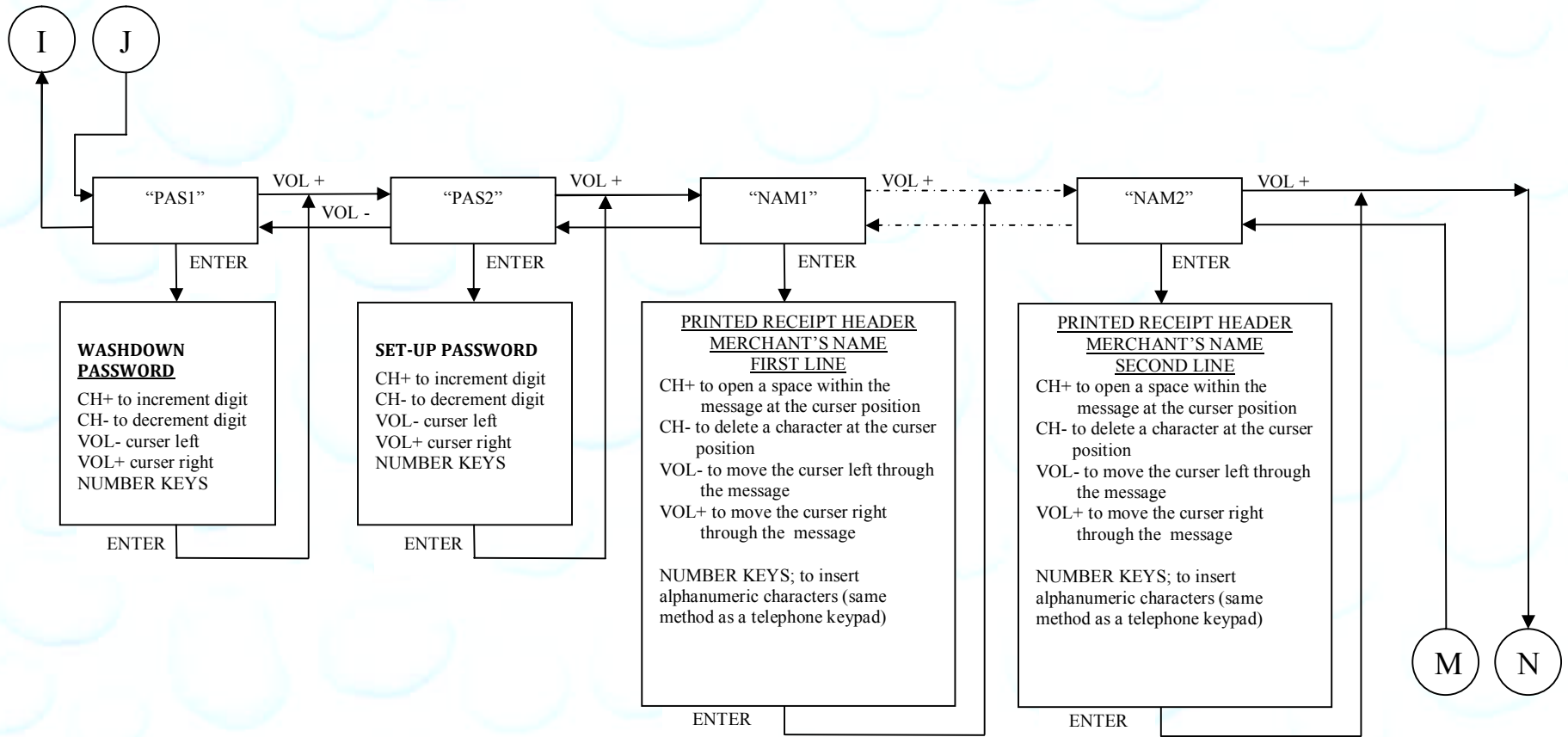
Unless otherwise indicated, PaymentBay LLC owns all intellectual property in this Document, including without limitation, the trademarks, service marks, and tradenames displayed in this Document as well as the copyright of this Document, images, text and screens. The material and information in this Document may not be published, copied, distributed, licensed, modified, sold, used to create a derivative work or otherwise used for public or commercial purposes, without the prior express written permission of PaymentBay LLC.

Quick Pay Users Guide



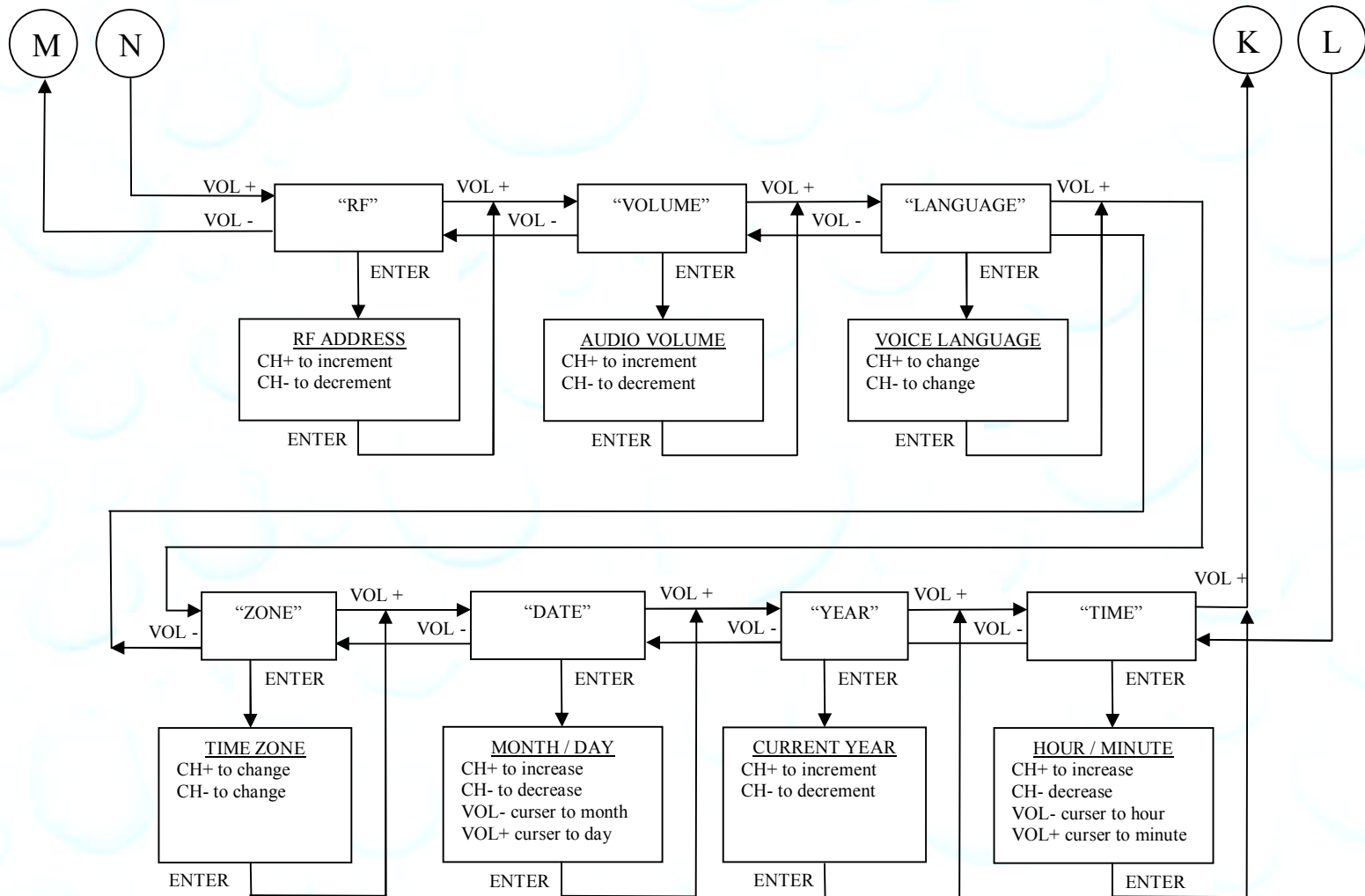
Unless otherwise indicated, PaymentBay LLC owns all intellectual property in this Document, including without limitation, the trademarks, service marks, and tradenames displayed in this Document as well as the copyright of this Document, images, text and screens. The material and information in this Document may not be published, copied, distributed, licensed, modified, sold, used to create a derivative work or otherwise used for public or commercial purposes, without the prior express written permission of PaymentBay LLC.

Quick Pay Users Guide



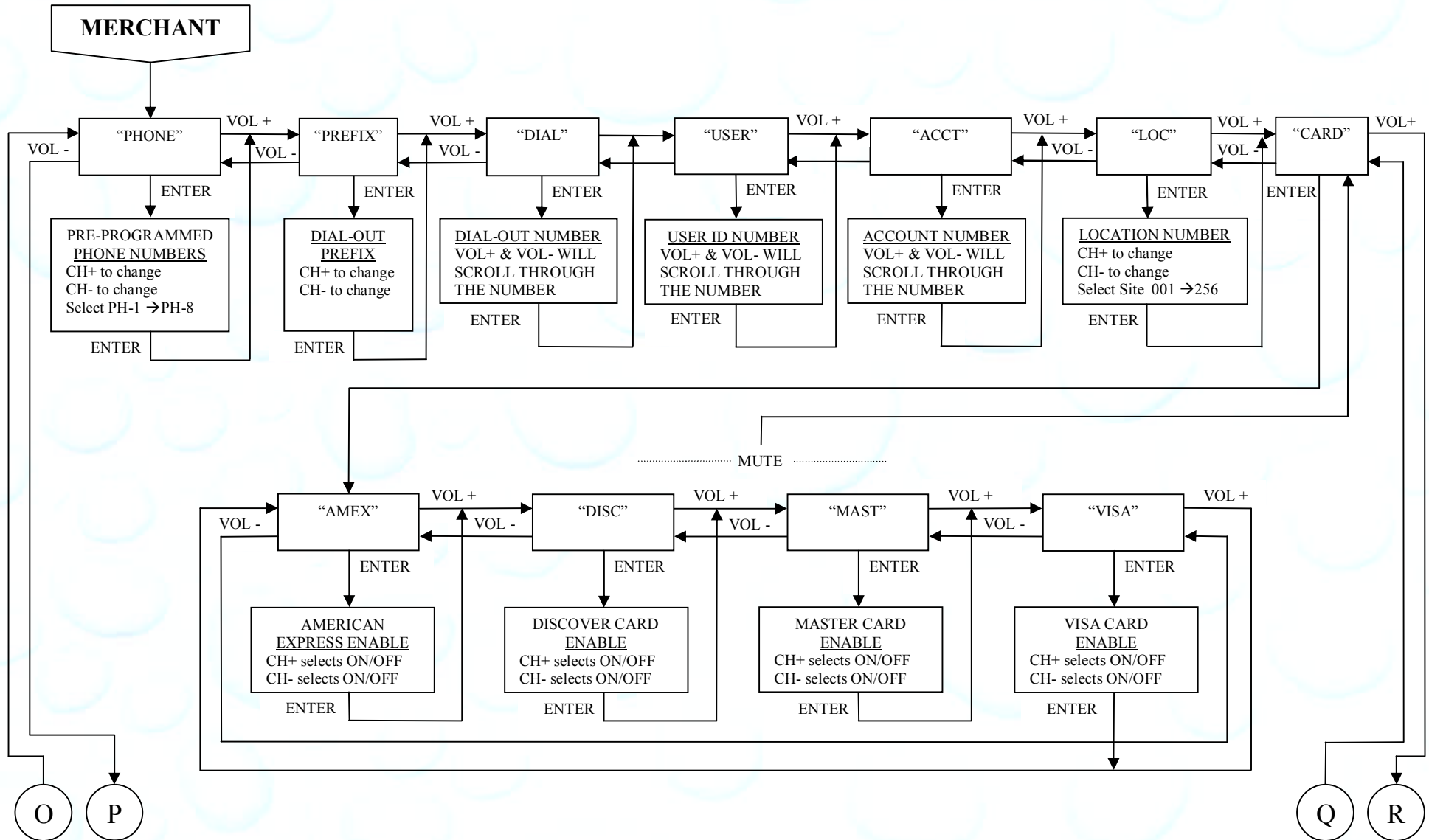
Unless otherwise indicated, PaymentBay LLC owns all intellectual property in this Document, including without limitation, the trademarks, service marks, and tradenames displayed in this Document as well as the copyright of this Document, images, text and screens. The material and information in this Document may not be published, copied, distributed, licensed, modified, sold, used to create a derivative work or otherwise used for public or commercial purposes, without the prior express written permission of PaymentBay LLC.

Quick Pay Users Guide



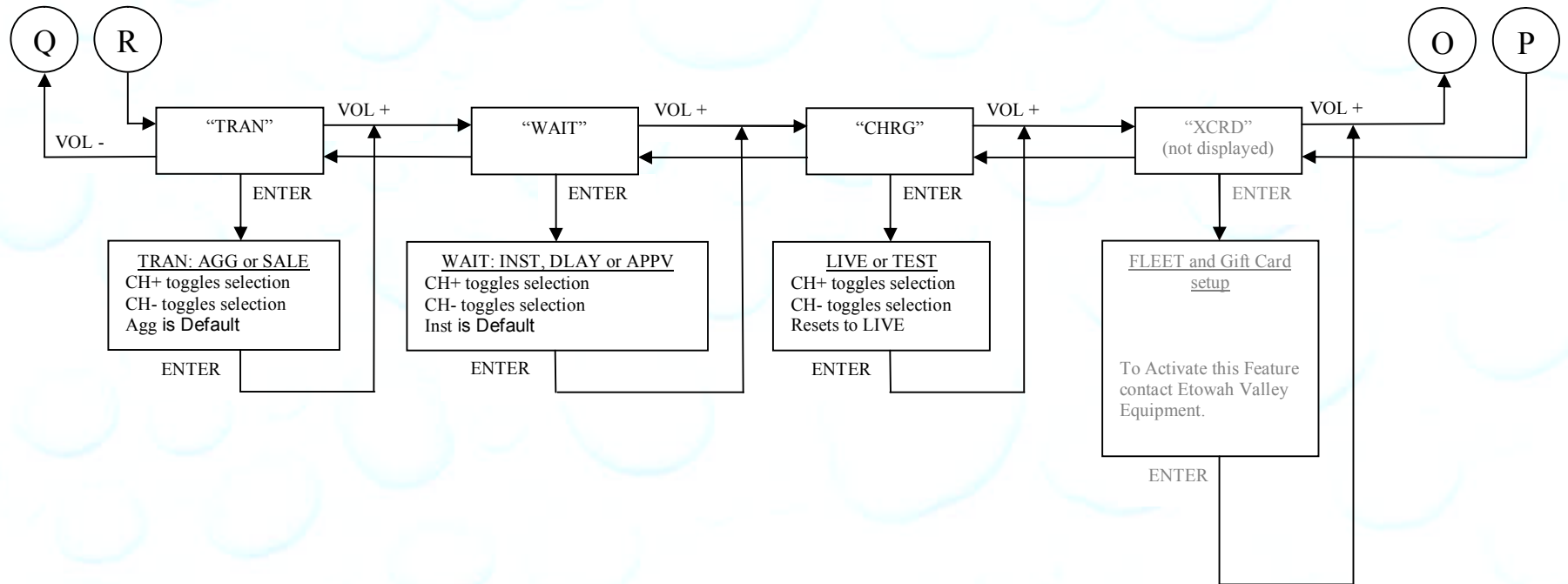
Unless otherwise indicated, PaymentBay LLC owns all intellectual property in this Document, including without limitation, the trademarks, service marks, and tradenames displayed in this Document as well as the copyright of this Document, images, text and screens. The material and information in this Document may not be published, copied, distributed, licensed, modified, sold, used to create a derivative work or otherwise used for public or commercial purposes, without the prior express written permission of PaymentBay LLC.

Quick Pay Users Guide

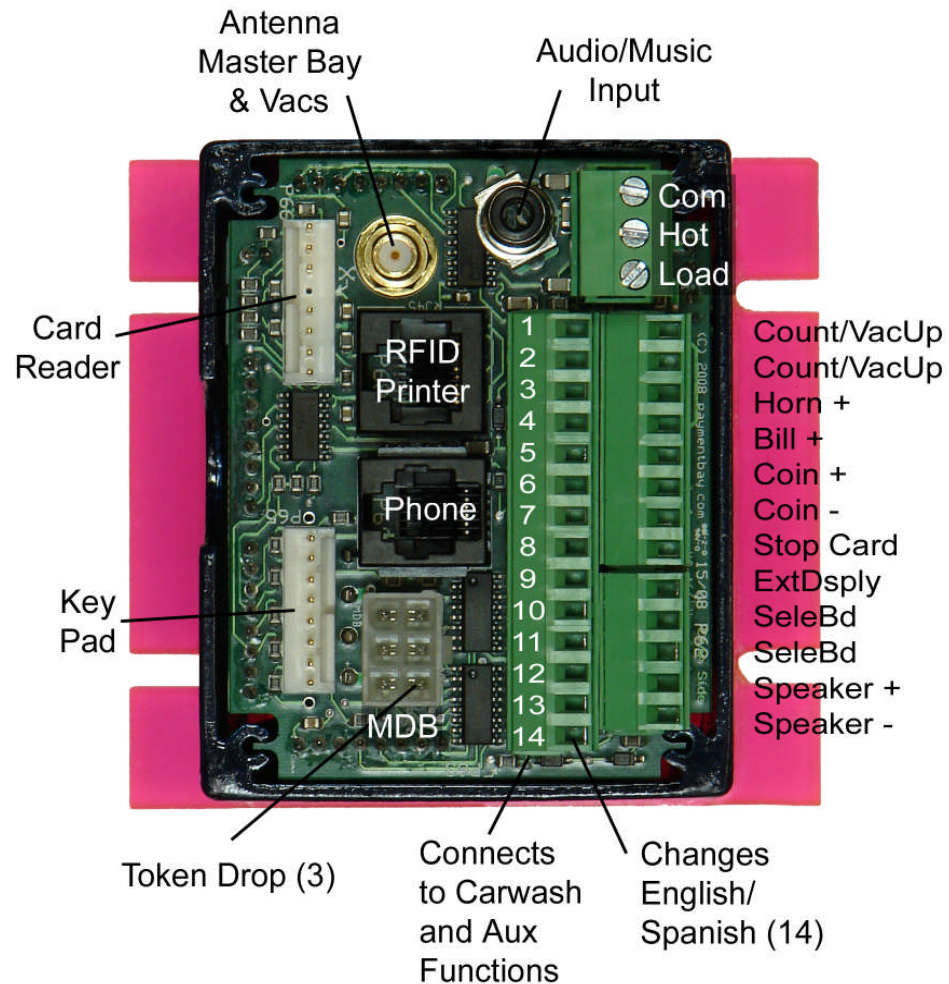


Unless otherwise indicated, PaymentBay LLC owns all intellectual property in this Document, including without limitation, the trademarks, service marks, and tradenames displayed in this Document as well as the copyright of this Document, images, text and screens. The material and information in this Document may not be published, copied, distributed, licensed, modified, sold, used to create a derivative work or otherwise used for public or commercial purposes, without the prior express written permission of PaymentBay LLC.

Quick Pay Users Guide



Quick Pay Users Guide
Connector description:



Summary of Carwash & Aux Function Connector P63.
 When a signal is applied to the following Pins the Function programmed is Announced and Displayed:

- Pin 1 - Function Programmed in PN01 of Setup Menu
- Pin 2 - Function Programmed in PN02 of Setup Menu
- Pin 3 - Function Programmed in PN03 of Setup Menu
- Pin 4 - Function Programmed in PN04 of Setup Menu
- Pin 5 - Function Programmed in PN05 of Setup Menu
- Pin 6 - Function Programmed in PN06 of Setup Menu
- Pin 7 - Function Programmed in PN07 of Setup Menu
- Pin 8 - Function Programmed in PN08 of Setup Menu
- Pin 9 - Function Programmed in PN09 of Setup Menu
- Pin 10- Function Programmed in PN10 of Setup Menu
- Pin 11- Function Programmed in PN11 of Setup Menu
- Pin 12- Function Programmed in PN12 of Setup Menu
 Only used as a Wash Function with Push Buttons
- Pin 13- Selects Stop when used with Push Buttons
- Pin 14- Selects English or Spanish

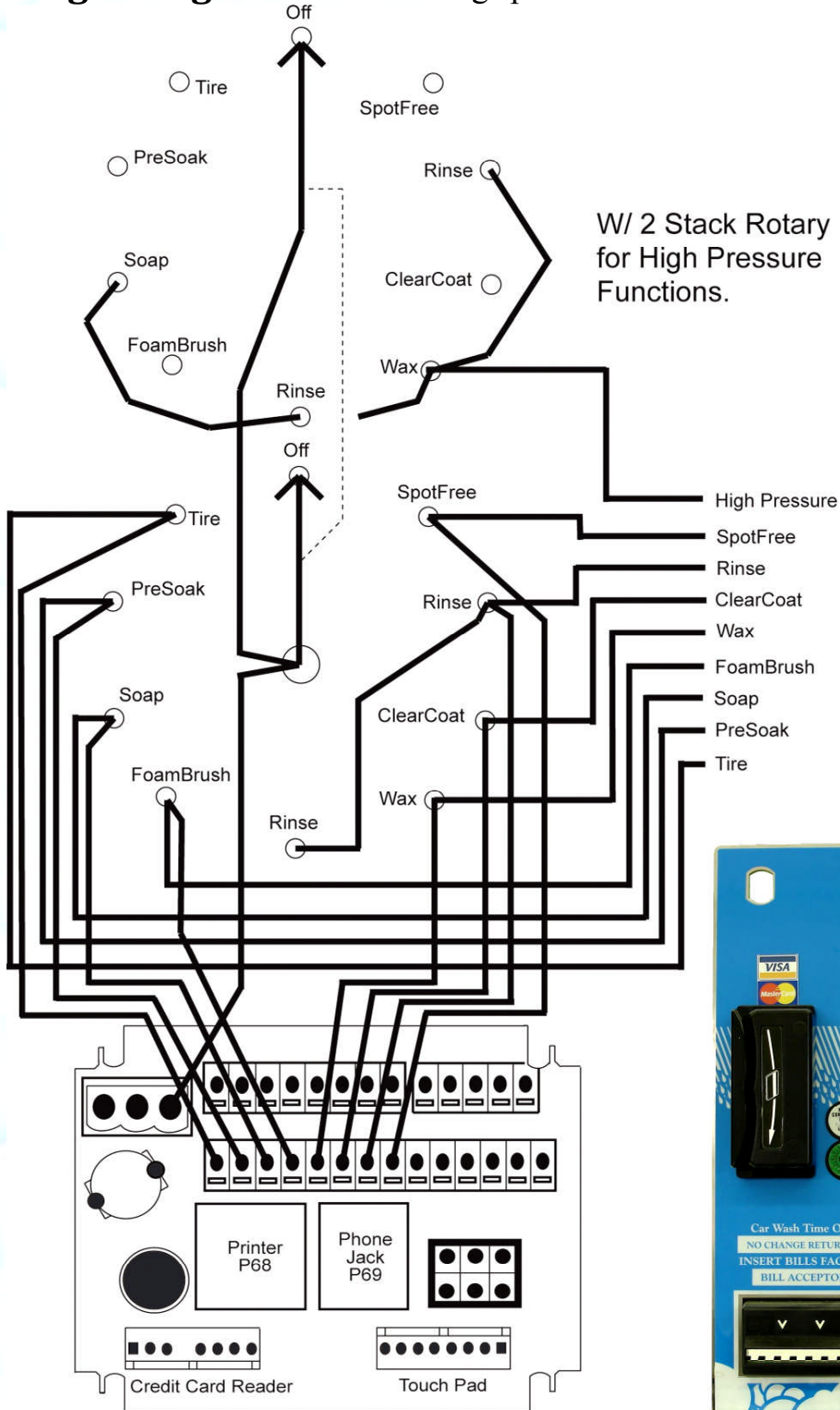
Pins 12-14 can also be used for other features and Alarm inputs, see Set-Up Menu section.



Special Connections
Connect the Speaker + and Speaker – to an 8 Ohm 20 Watt Speaker. Do not connect Speaker +/- to any other function, common or power source.
Careful not to connect Phone Line to Printer/RFID Port.

Quick Pay Users Guide

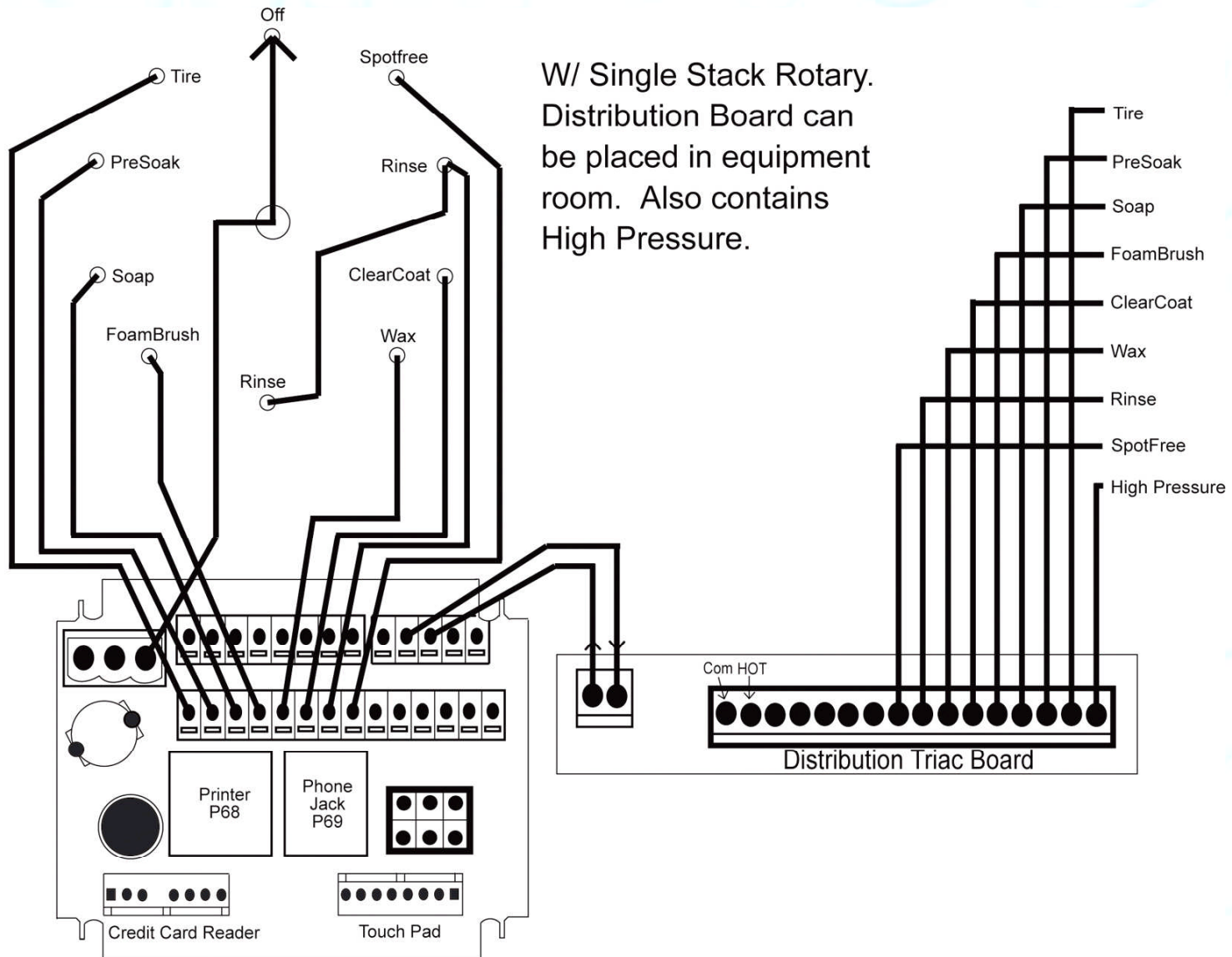
Wiring Configurations showing specific switch connections:



Basic Two Stack Rotary

Unless otherwise indicated, PaymentBay LLC owns all intellectual property in this Document, including without limitation, the trademarks, service marks, and tradenames displayed in this Document as well as the copyright of this Document, images, text and screens. The material and information in this Document may not be published, copied, distributed, licensed, modified, sold, used to create a derivative work or otherwise used for public or commercial purposes, without the prior express written permission of PaymentBay LLC.

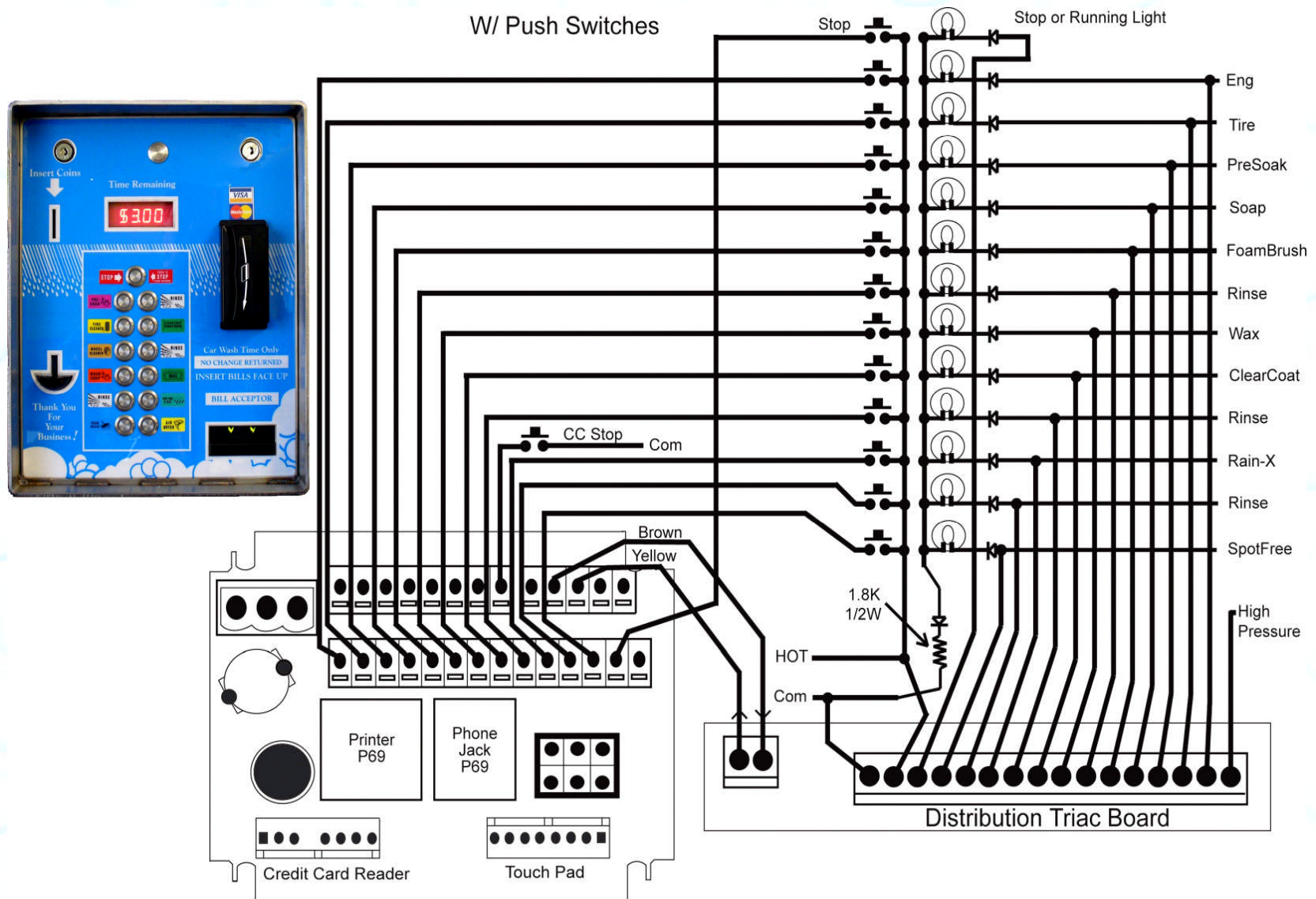
Quick Pay Users Guide



Single Stack Rotary I

Unless otherwise indicated, PaymentBay LLC owns all intellectual property in this Document, including without limitation, the trademarks, service marks, and tradenames displayed in this Document as well as the copyright of this Document, images, text and screens. The material and information in this Document may not be published, copied, distributed, licensed, modified, sold, used to create a derivative work or otherwise used for public or commercial purposes, without the prior express written permission of PaymentBay LLC.

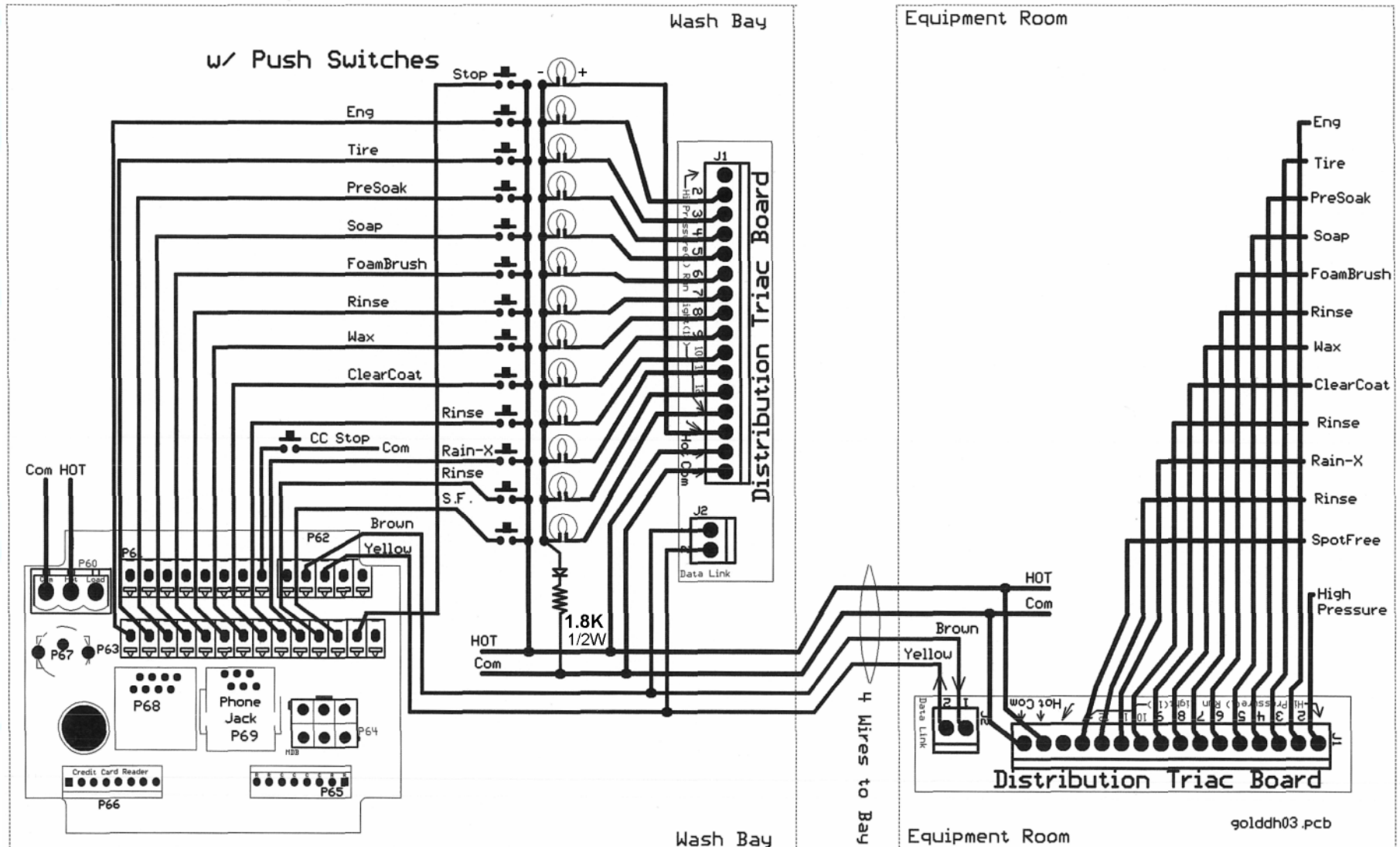
Quick Pay Users Guide



Push Button with Distribution Board Also replaces [Touch Select II]

Unless otherwise indicated, PaymentBay LLC owns all intellectual property in this Document, including without limitation, the trademarks, service marks, and tradenames displayed in this Document as well as the copyright of this Document, images, text and screens. The material and information in this Document may not be published, copied, distributed, licensed, modified, sold, used to create a derivative work or otherwise used for public or commercial purposes, without the prior express written permission of PaymentBay LLC.

Quick Pay Users Guide

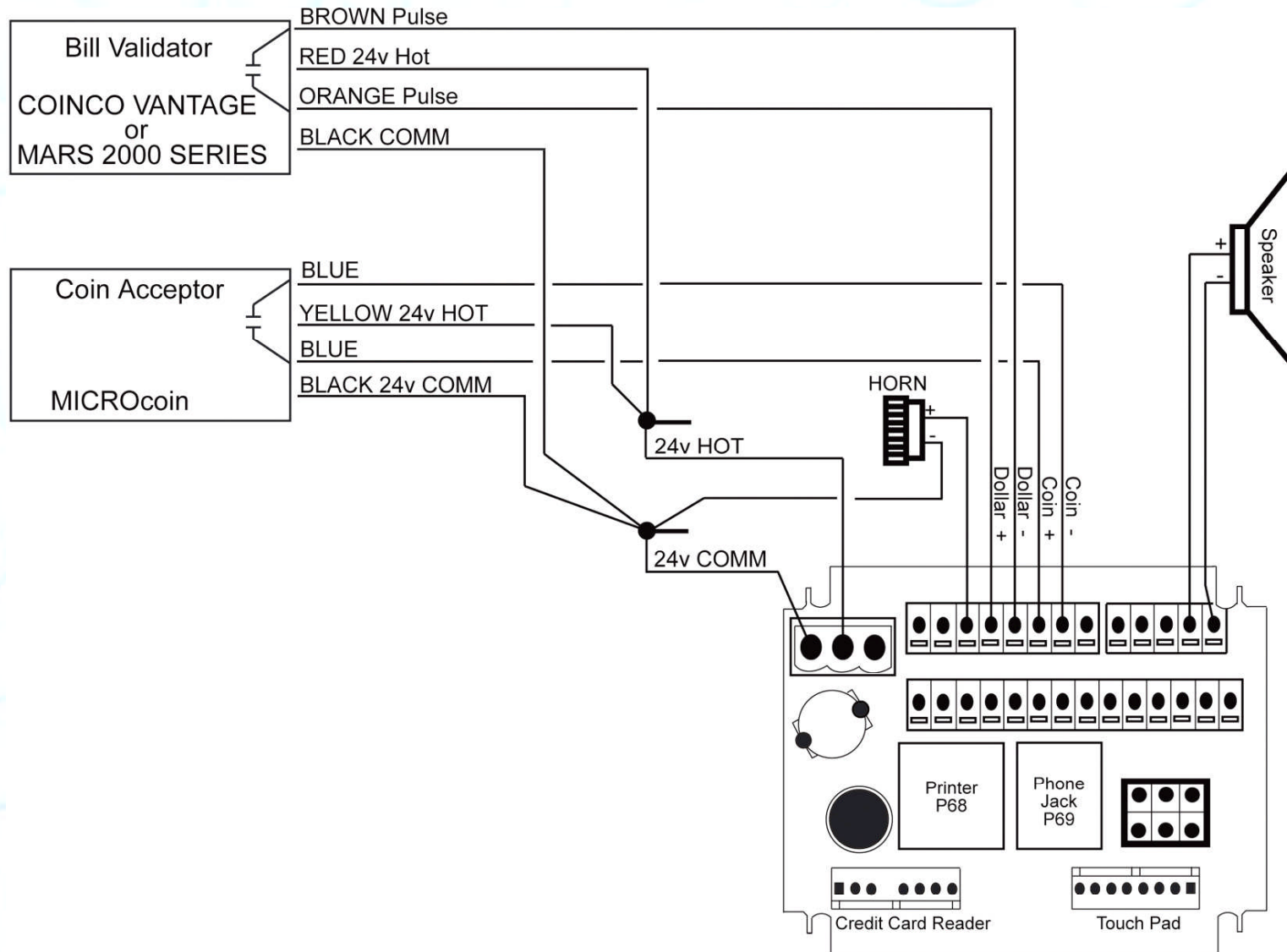


Push Button with additional remote Distribution Board

And can be used with an existing [Touch Select II Controller Distribution Board I I] in equipment room.

Unless otherwise indicated, PaymentBay LLC owns all intellectual property in this Document, including without limitation, the trademarks, service marks, and tradenames displayed in this Document as well as the copyright of this Document, images, text and screens. The material and information in this Document may not be published, copied, distributed, licensed, modified, sold, used to create a derivative work or otherwise used for public or commercial purposes, without the prior express written permission of PaymentBay LLC.

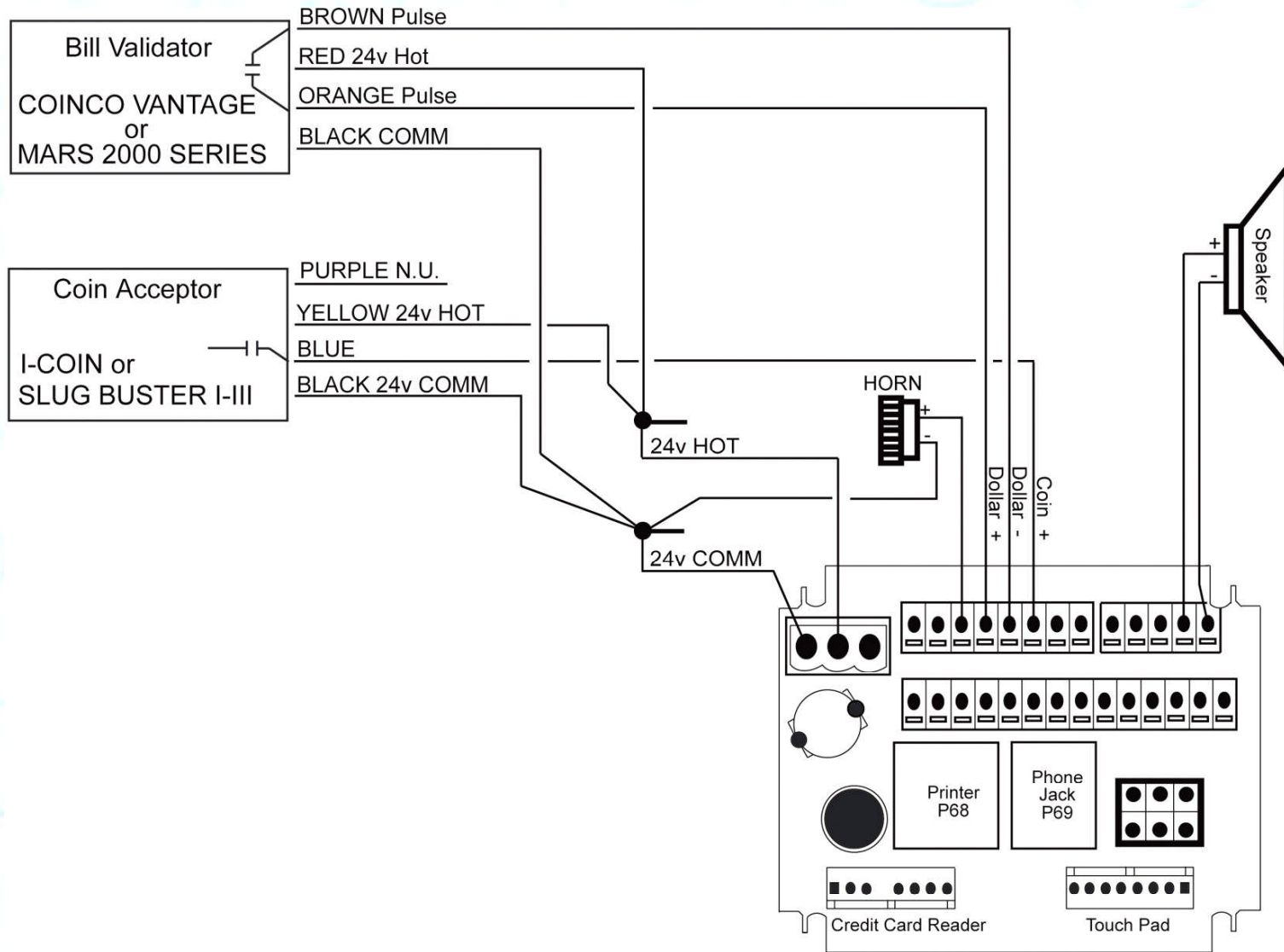
Quick Pay Users Guide



Coin Acceptor and Bill Validator Details.

Unless otherwise indicated, PaymentBay LLC owns all intellectual property in this Document, including without limitation, the trademarks, service marks, and tradenames displayed in this Document as well as the copyright of this Document, images, text and screens. The material and information in this Document may not be published, copied, distributed, licensed, modified, sold, used to create a derivative work or otherwise used for public or commercial purposes, without the prior express written permission of PaymentBay LLC.

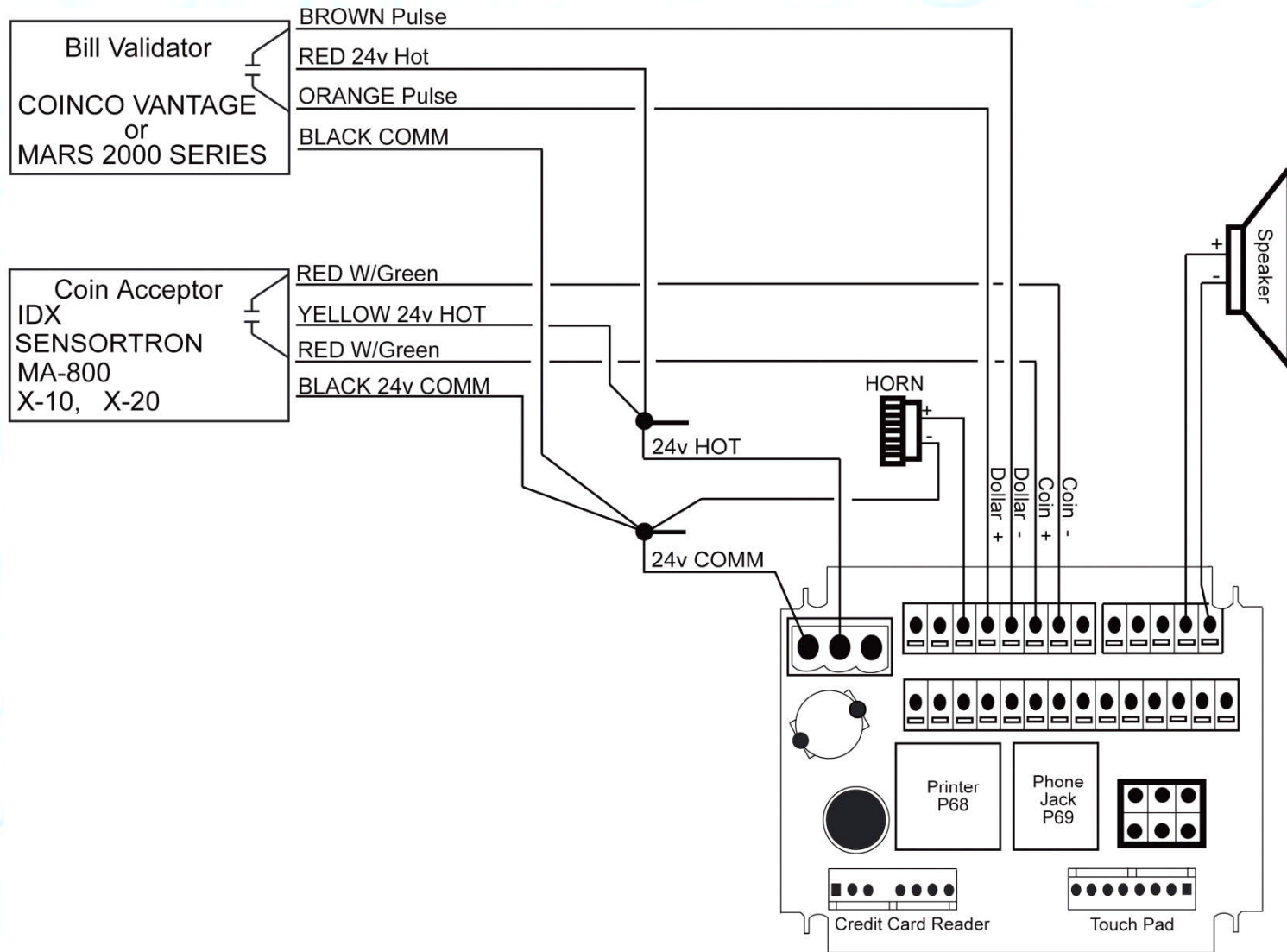
Quick Pay Users Guide



Coin Acceptor and Bill Validator Details.

Unless otherwise indicated, PaymentBay LLC owns all intellectual property in this Document, including without limitation, the trademarks, service marks, and tradenames displayed in this Document as well as the copyright of this Document, images, text and screens. The material and information in this Document may not be published, copied, distributed, licensed, modified, sold, used to create a derivative work or otherwise used for public or commercial purposes, without the prior express written permission of PaymentBay LLC.

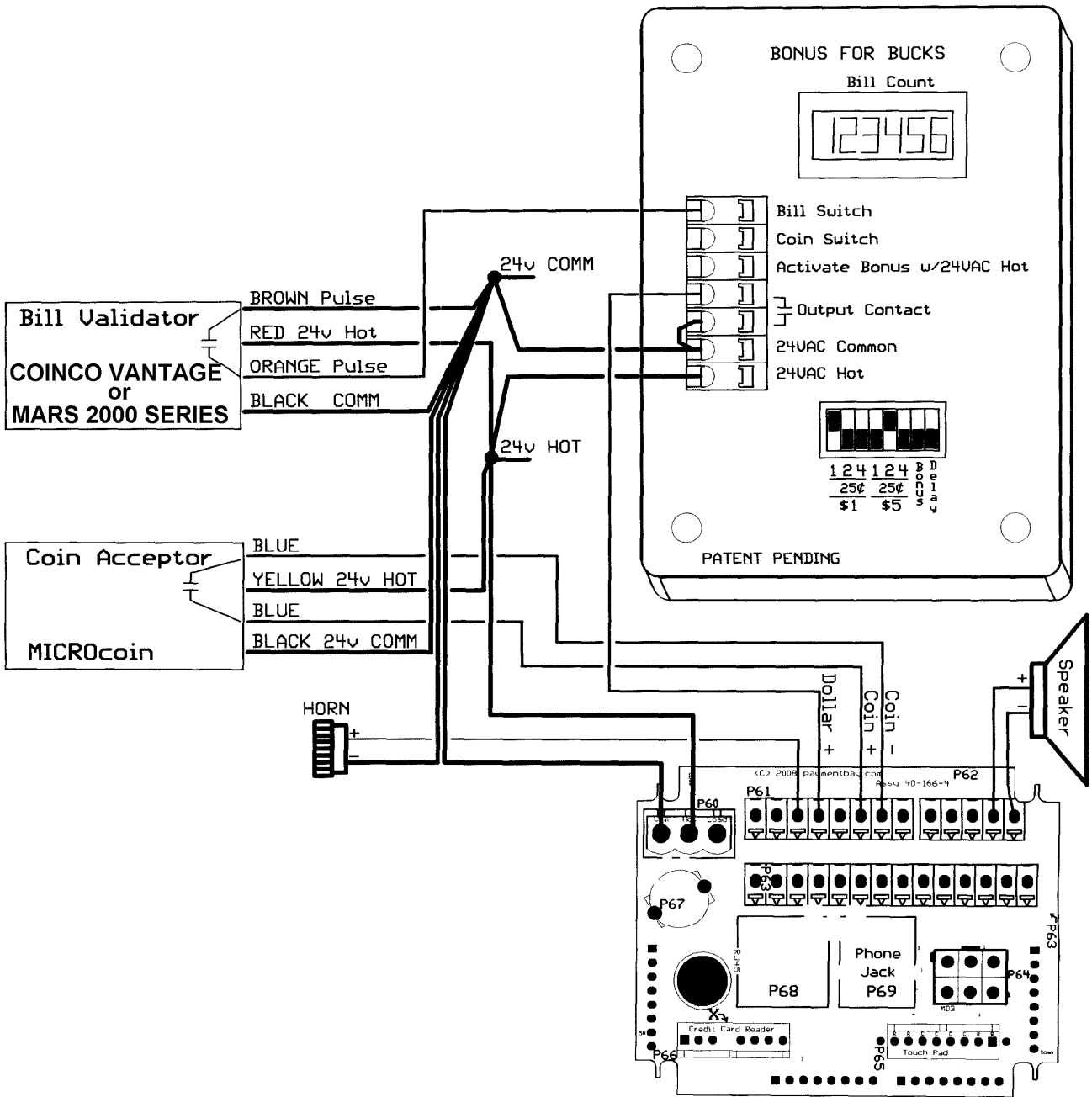
Quick Pay Users Guide



Coin Acceptor and Bill Validator Details.

Unless otherwise indicated, PaymentBay LLC owns all intellectual property in this Document, including without limitation, the trademarks, service marks, and tradenames displayed in this Document as well as the copyright of this Document, images, text and screens. The material and information in this Document may not be published, copied, distributed, licensed, modified, sold, used to create a derivative work or otherwise used for public or commercial purposes, without the prior express written permission of PaymentBay LLC.

Quick Pay Users Guide



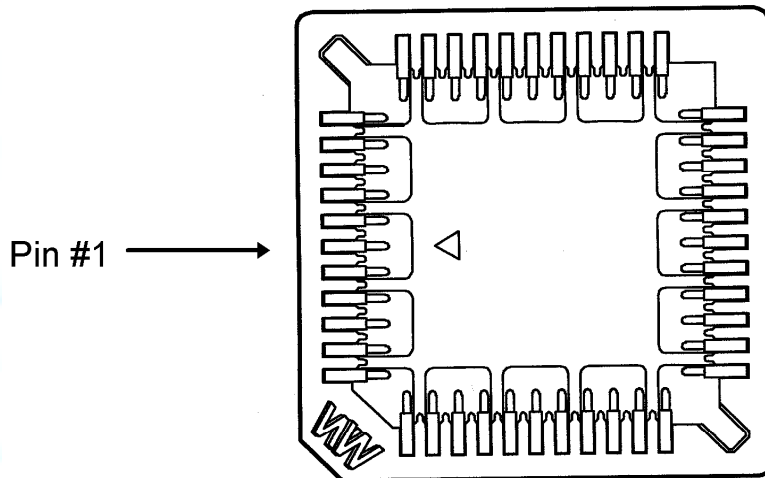
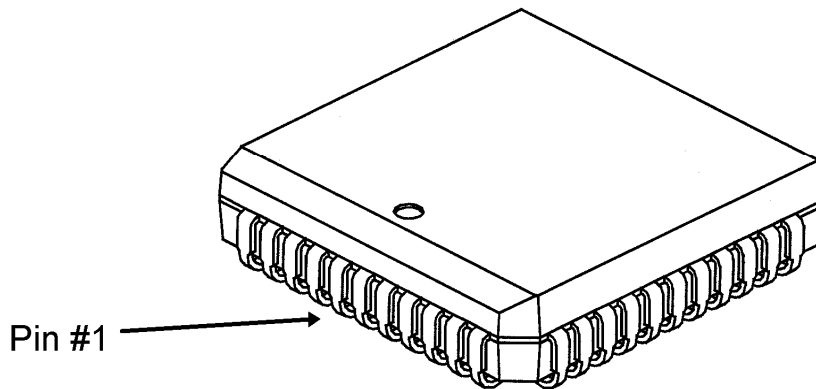
Connecting an external Bonus For Bucks system.

Quick Pay Rev 2.04 and later includes Bonus For Bucks – see the Bonus Menu.

Unless otherwise indicated, PaymentBay LLC owns all intellectual property in this Document, including without limitation, the trademarks, service marks, and tradenames displayed in this Document as well as the copyright of this Document, images, text and screens. The material and information in this Document may not be published, copied, distributed, licensed, modified, sold, used to create a derivative work or otherwise used for public or commercial purposes, without the prior express written permission of PaymentBay LLC.

Updating Software Revision:

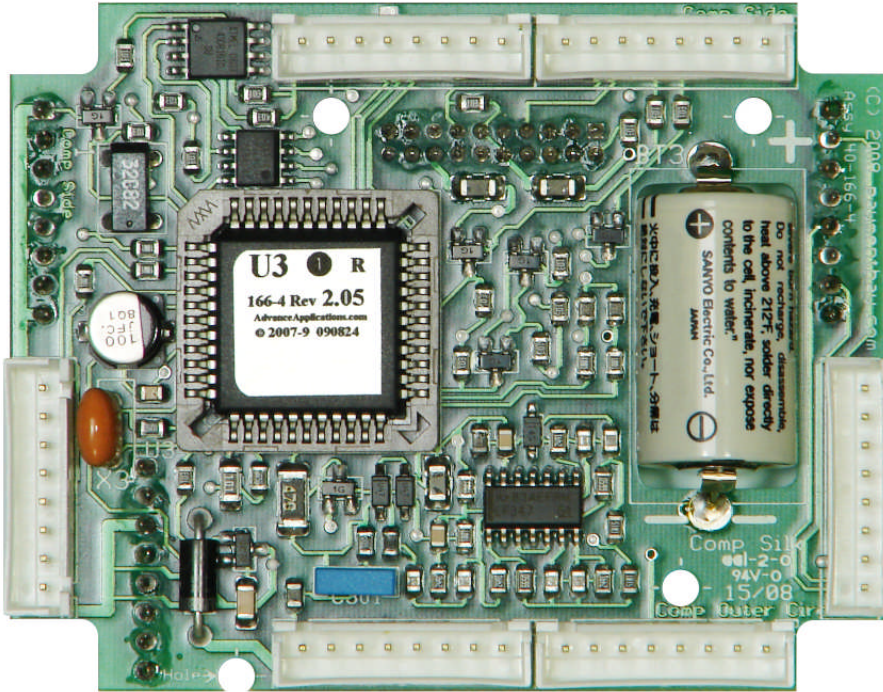
- 1-** Carefully unstack the Timer Boards.
- 2-** Carefully remove Chip from Socket with PLCC Extraction Tool.
- 3-** Carefully insert new Chip into Socket aligning Pin #1 with Pin #1. Do not force.



- 4-** Carefully stack and re seat Timer Boards.
if Boards are not assembled properly they may become damage at power up.

Quick Pay Users Guide

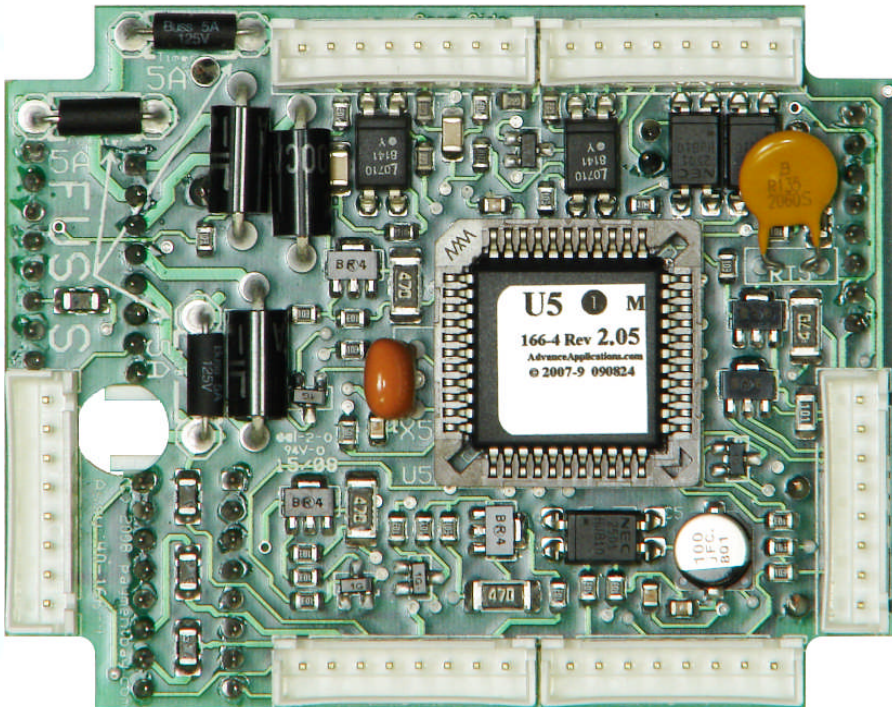
U3 and U5 must be update as a set with the same revision number:



U3 is used on Board #3



Use Extraction Tool



U5 is used on Board #5



Use Extraction Tool

Unless otherwise indicated, PaymentBay LLC owns all intellectual property in this Document, including without limitation, the trademarks, service marks, and tradenames displayed in this Document as well as the copyright of this Document, images, text and screens. The material and information in this Document may not be published, copied, distributed, licensed, modified, sold, used to create a derivative work or otherwise used for public or commercial purposes, without the prior express written permission of PaymentBay LLC.

Quick Pay Users Guide

Receipt Printer Operation:

Credit Card transaction receipt is printed at the end of a Vend or when the Wash is completed.

The last Credit Card transaction may be printed as a Duplicate Receipt at any time if you Push CH+ and then Push Enter on the remote.

The Configuration of the Quick Pay system may be printed from the System Menu under Host.

Quick Pay Users Guide

System Configuration

To Print the Complete Settings of the Quick Pay System:

Enter Password #2 – [Enter] – SYS – [Enter] – HOST – [Enter] – SELF/AUTO/etc – [Enter] – PRT? – [0]

The following Shall Print:

Host set for Self Service

..... continued

```

LINK
CATG BAY

SET-UP
COIN $1.50
TIME 04:00
CRD1 $2.00
CRD2 $1.00
MAX $25
TAX NONE
ALRT 00:30
WASH 10:00
FUNC PN01 TIRE CLEANER
      OFF 100%
PN02 BUG OFF
      ON 100%
PN03 PRE-SOAK
      OFF 100%
PN04 SOAP
      OFF 100%
PN05 FOAM BRUSH
      ON 100%
PN06 RINSE
      OFF 100%
PN07 TRIPLE FOAM BR
      OFF 100%
PN08 RAIN-X
      OFF 100%
PN09 SPOT FREE RINS
      OFF 100%
PN10 RAPID DRY
      OFF 100%
PN11 ENGINE CLEANER
      OFF 100%
PN12 CLEAR COAT
      OFF 100%
PN13 DUR-A-SHIELD
      OFF 100%

GRAC 00:30
GREE WELCOME.TO.MY.C
ARWASH.....
.....
    
```

```

BONUS
TIME 00:00
DLAY $1.50
LOTO COIN OFF
      BILL OFF
      CARD OFF
      ODDS 2:1
DISC NONE
BUCK $1 $0.00
      $5 $0.00
      $10 $0.00
      $20 $0.00
SPCL COIN $1.50
TIME 04:00
SUN 00:00 NONE
MON 00:00 NONE
TUES 00:00 NONE
WED 00:00 NONE
THUR 08:00 12:00
FRI 00:00 NONE
SAT 00:00 NONE

SYSTEM
HOST SELF
DIR UP
TYPE ROTARY ONLY
ALRM AL12 NONE 00:30
      AL13 NONE 00:30
      AL14 NONE 00:30
      AL15 NONE 00:30
GAIN 0008
PAS1 5678
PAS2 1234
NAM1 MY.CARWASH.....
.....
NAM2 MY.TOWN.....
.....
RF 0010
VOL 0008
LANG ENGL
ZONE CENT
DATE 08.03
YEAR 2009
TIME 13:43

MERCHANT
PHON PH-1
PREX 1-
DIAL 1231231234
USER 123456789012
ACCT 123456789012
LOC 0001
CARD AMEX ON
      DISC ON
      MAST ON
      VISA ON
TRAN AGG
WAIT INST
CHRG LIVE
    
```

Host set for Token

```

LINK
CATG VEND

SET-UP
CRD1 $2
PULS 1PUL
TAX NONE
GREE WELCOME.TO.MY.C
ARWASH.....
.....

SYSTEM
HOST TKN
ALRM AL12 NONE 00:30
      AL13 NONE 00:30
      AL14 NONE 00:30
      AL15 NONE 00:30
GAIN 0008
PAS1 5678
PAS2 1234
NAM1 MY.CARWASH.....
.....
NAM2 MY.TOWN.....
.....
RF 0010
VOL 0008
LANG ENGL
ZONE CENT
DATE 08.03
YEAR 2009
TIME 16:52

MERCHANT
PHON PH-1
PREX 1-
DIAL 1231231234
USER 123456789012
ACCT 123456789012
LOC 0001
CARD AMEX ON
      DISC ON
      MAST ON
      VISA ON
TRAN AGG
WAIT APPV
CHRG LIVE
    
```

Continued next column....

Quick Pay Users Guide

Index

- Account ID, 2, 23, 28
- Activate, 30
- Activation Code, 30
- AGG, 28
- Aggregation, 28
- Alarms, 26
- AMEX, 28
- APPV, 28
- AT&T, 10
- Attenuation, 26
- Automatic Carwash, 25
- Benefits, 6, 12, 13, 65
- Bonus, 23
- Bonus for Bucks, 23, 36, 52
- Category, 16, 58
- clone, 16, 31
- Comcast, 10
- COPY, 16, 31
- count up mode, 18, 19
- discount card, 11, 23, 24
- Discover Card, 28
- Distribution Board, 46, 47, 48
- DLAY, 28
- duplicate, 30
- English, 27
- Error Codes, 26
- Extraction Tool, 54
- FCC, 59
- Fleet, 28, 43
- Frequently Asked Questions, 58
- GAIN, 65
- Gift, 28, 43
- Grace, 21
- greeting message, 21
- Grounding, 63
- Header, 26
- High Pressure, 19, 34
- INST, 28
- IR REMOTE, 30
 - TV remote, 30
- line, phone, 65
- LINK, 16
- Location, 28
- Lottery, 23
- MagicJack, 10
- MasterCard, 28
- modem, 60, 65
- Monitoring, 3
- odds, 23
- Password, 19, 26, 30, 56, 59
- Pet Wash, 25
- phone, 59, 60, 61, 65
- Prefix, 59
- Print Configuration, 25, 39
- Printer, 55
- Product Comparison, 8
- Programming Example, 65
- Push Button, 25, 47, 48
- random, 23
- Re-Activate, 30
- receipt, 29, 55
- Receipt, 26, 30, 55
 - duplicate, 30
 - Header, 26
- Revision, 30, 68
- RJ11, 61
- RJ45, 60
- rollover, 24
- Rotary, 25, 45, 46
- Sale, 28
- Self Service Carwash, 1, 25
- Service required, 26
- site, 28
- Software Revision, 53, 68
- Spanish, 27
- Specials, 24, 37
- Tax, 19, 33
- TIME, 18, 21
- time zone, 10, 27
- Token Dispenser, 25, 26
- Touch Select I, 47
- Touch Select II, 48
- TRIAC, 25
- Triac Board, 46, 47, 48
- Truck Wash, 21
- TV remote, 30
- U3, 54
- U5, 54
- User ID, 28
- Vend, 25
- VISA, 28
- VoIP, 10
- Voltage, 2, 30
- volume, 27
- Vontage, 10
- Warranty, 69

Appendix A

Frequently Asked Questions

Question:

I use a Blasto-Dry and some of the push button lights glow.

Answer:

Swap the 24 VAC Hot and Common connections on the Blasto-Dry unit.

Question:

I press a function button and the light only stays on for a second or two.

Answer:

In the SYST menu under TYPE select PUSHBUTTON W/TRIAC.

Question:

The display flickers.

Answer:

The 24 Volt power source may not be correct. Confirm your primary transformer taps. Press [VOL—] on the Remote to display system Voltage. Note: Voltage should be 24.0 VAC +/- 5%.

Question:

Settings do not COPY.

Answer:

Confirm: category and ID numbers were setup for each bay, vac, etc.

Check:

- 1) That the same "solid" Commons on all bays, vacs, etc, fig. B9;
- 2) That any bay 24VAC Hot to any bay 24VAC Hot is 0VAC (+/- 1 Volt) – Properly phased;
- 3) Inner phone wires (red & green) are for the Modem and connect to phone company, see Users Guide, fig. B7;
- 4) Outer phone wires (black & yellow) are for the COPY and **NOT** connected to phone company, see Users Guide, fig. B7;
- 5) Make sure phone wires are not reversed etc.

Appendix B

Trouble Shooting Phone Line, Power System & Grounding

Credit Card Unit Modem is FCC Part 68 Compliant.



Credit Card Unit Modem is FCC Part 68 Compliant.

Important Note: Caution, avoid connecting the Phone Connection to the RFID/Printer Connector, since this will Damage the Unit and may void the warranty. See Fig # B8.

The four (4) wire phone line is connected to all Terminal/Timers. The two (2) outside wires are used to communicate or “LINK” to the other Terminal/Timers and are not connected to the phone company. The two (2) center wires are the actual phone line and are connected to the phone company. See Fig# B3,4 & 7.

I) Dial Out Setup.

Before attempting to process a credit card transaction the Credit Card Unit requires setup to function with your Telephone Service.

1. Dial-Out number is factory set as PH-1 (default phone number)
2. Dial-Out prefix is factory set for 1- (default prefix)

The Prefix is selectable:

- | | |
|---------|---|
| [1-] | Is for long distance dialing (default). |
| [9-] | Is for a phone system requiring 9 to get an outside line. |
| [9-1-] | Is for long distance with 9 to get on outside line. |
| [NONE] | No prefix before number is dialed. |

Changing the Dial-Out Setup use the remote control as follows:

1. Enter four digit Password and press enter. (default is 1234 or 0696).
2. Select MCHT
3. PHONE
 - a) PH-1 (default)
4. PREX
 - a) [1-] (default)
 - b) [9-]
 - c) [9-1-]
 - d) [NONE]

II) Phone Line Usage.

You may have phone issues if you answer yes to any of the following questions:

Is the Phone Line used for any other functions?

Is the Phone Line run with in a multi conductor cable or using a multi conductor cable?

Is the Phone Line used for any other Car Wash System?

Is the Phone Line used for a fire alarm system?

Is the Phone Line used for a security system?

Is the Phone Line used for a video system?

Is the Phone Line used for an intercom system?

Does the Phone Line have an extension phone?

Is the Phone Line connected to a Fax?

Is the Phone Line connected to a Computer?

Your phone company offers you long distance service and you do not subscribe?

Is it required to dial 9 to get an outside phone line?

Is your phone company offering you DSL service?

III) Checking Your Phone Line.

Is the phone line connected to the RJ11 or the larger RJ45 jack on the CC Timer?

Check for line noise?

"Listening" for Noise on your Phone Line

Note: This checks for noise between your Phone Jack and first Central Office.

3. How to "Listen" to your Phone Line:

If you have any connection problems it may be related to "Line Noise" from your phone line. In order to really listen to your phone line you need to get rid of the dial tone. Lift up the phone handset and dial any number valid for your location (i.e. in the U.S. try dialing a 1). Once the dial tone is gone you have about 30 seconds to really listen to your phone line (after about 30 seconds the line may change to a busy signal). Listen closely to the line and verify you do not hear any pops, bangs, crackles, creaking or faint voices in the background. Any of these noises can cause your modem connection to fail. Some noise is above the audible range and cannot be heard – requiring the phone company to check.

4. Possible Sources of Noise and Checking with Another Phone:

These noises can be caused by something simple. Maybe a loose screw on a connector block somewhere between you and the exchange or water in one of the Telco cable ducts where the water-proofing (around the cable joints) has started to break down. It could also be a bad connection in your facility somewhere and not necessarily on the line extension that is feeding your modem in the **Credit Card Unit**. Voices (or crosstalk) are not so easy to find and are usually more likely to be further into the system. The noises can also be coming from your phone or external wiring. So plug another phone directly into the wall jack and repeat the procedures above.

Quick Pay Users Guide

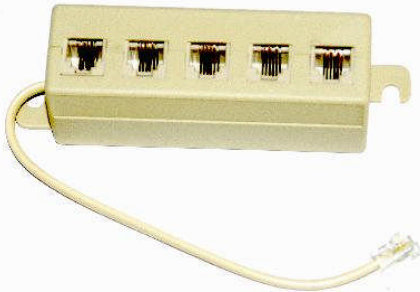
5. Wiring In and Around your Phone Jack:

Cordless phone jacks and extra "outside wiring" near the phone jack should be removed. If you have a double phone jack on the wall disconnect the other phone line – this is the **black** and **yellow** wires (line #2).

Use only one Phone Line.

Use the center pair of wires, **red** and **green** – line ONE.

The **Credit Card Unit** is connected to the phone line with a RJ11 jack. All phone cables from all vending machines, automatics, self serve bays, vacs etc should connect to the multiple jack(s) or splitter(s).



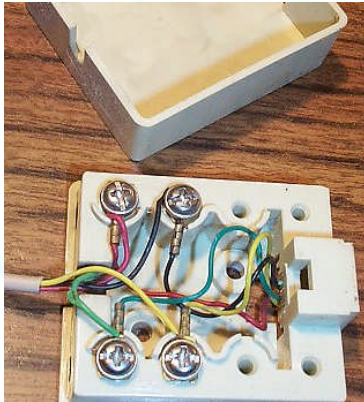
Fig# B1

Above Splitters are connected to the main phone jack or "Network Interface Device".

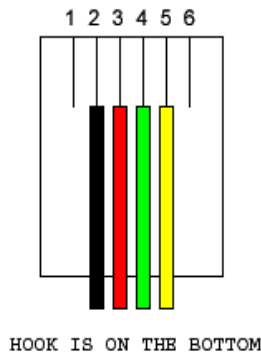


Fig# B2

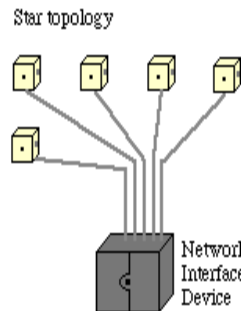
From the splitter to the main phone jack or the actual phone company connection – only line one is connected – the **red** and **green** (the two center wires). Again, the **black** and **yellow** are not connected to the phone company. The **black** and **yellow** wires are used by the **Credit Card Unit** for special features and should not be connected to line #2 going to the phone company's central office



Fig# B3

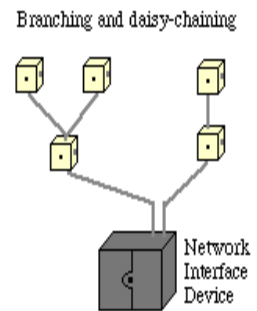


Fig# B4



Fig# B5

Star configuration/
Home-Runs recommended



Fig# B6

Reduce Branching
& Daisy-Chaining

Quick Pay Users Guide

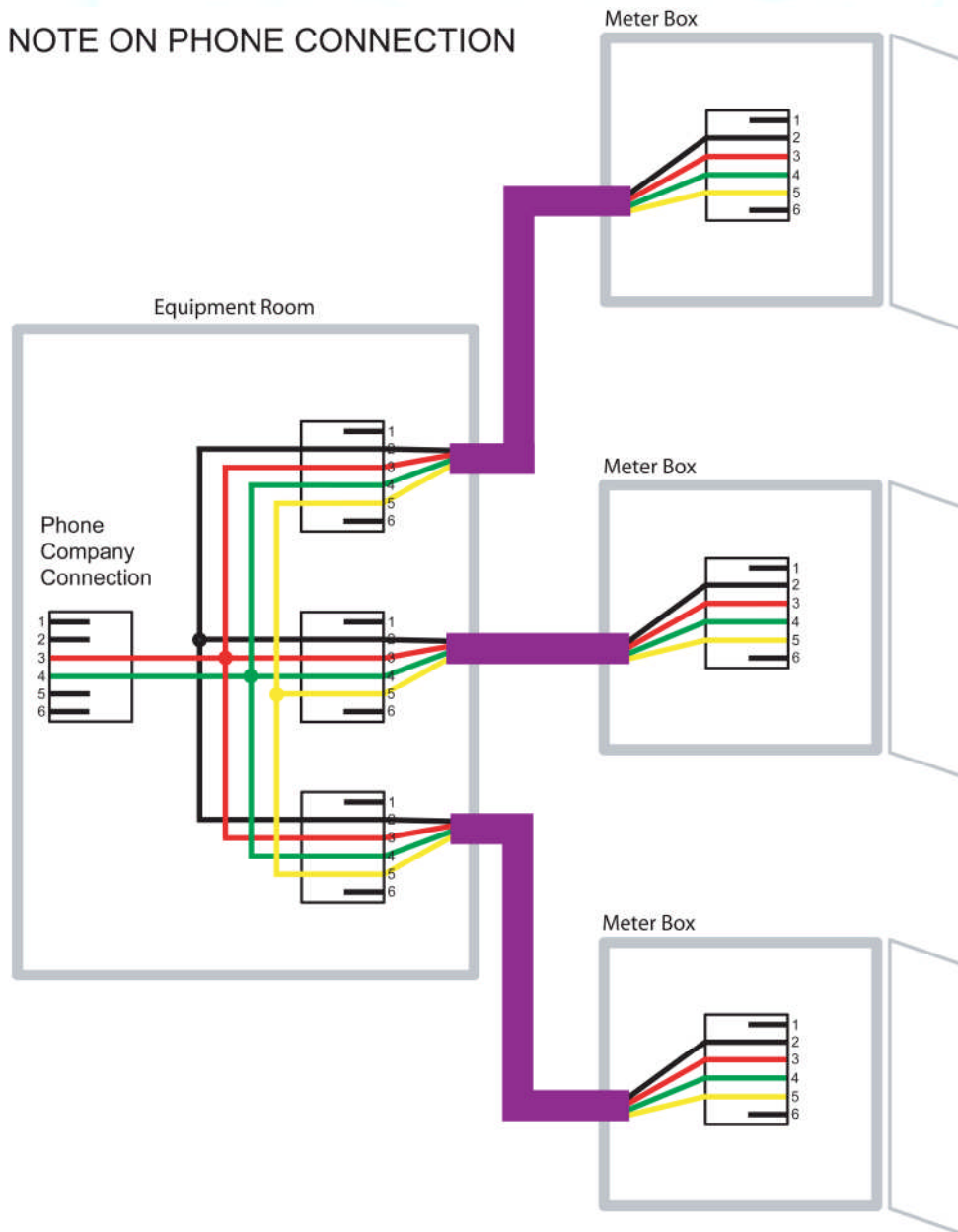


Connecting the Phone Line and the QuickPay network.

The Green and Red (center connections) are the only wires connected to the outside phone line.

The Black and Yellow (outer connections) are used to connect/network the internal QuickPay units and are **not** connected to the outside phone company.

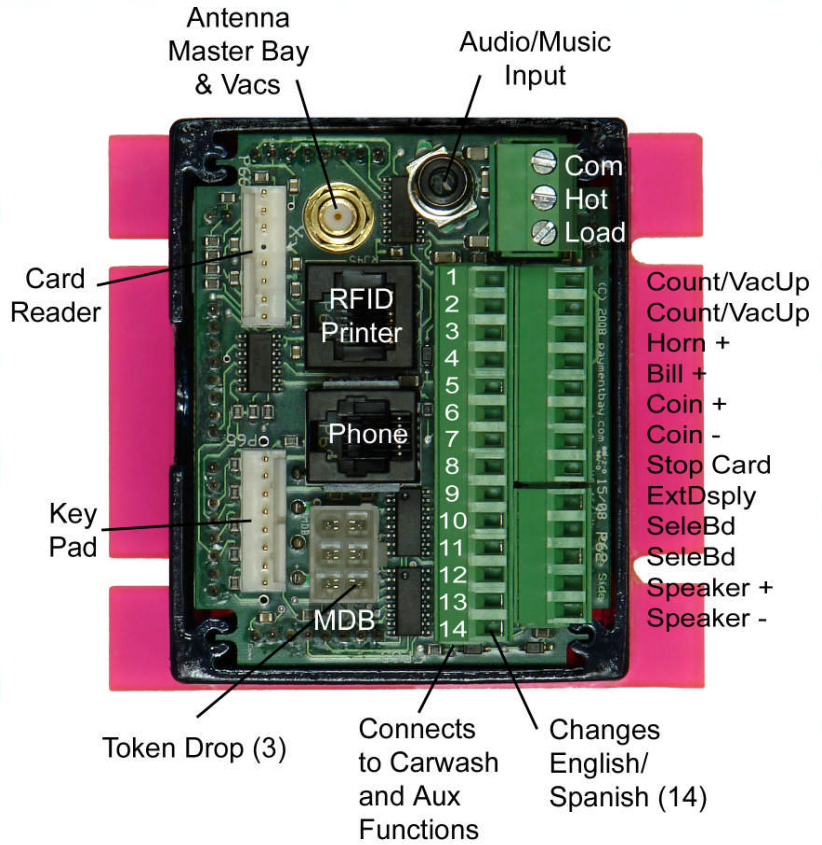
TECH NOTE ON PHONE CONNECTION



Fig# B7

Unless otherwise indicated, PaymentBay LLC owns all intellectual property in this Document, including without limitation, the trademarks, service marks, and tradenames displayed in this Document as well as the copyright of this Document, images, text and screens. The material and information in this Document may not be published, copied, distributed, licensed, modified, sold, used to create a derivative work or otherwise used for public or commercial purposes, without the prior express written permission of PaymentBay LLC.

Make sure the Phone Line is connected to the Phone Jack and not the RFID/Printer Jack.



Fig# B8

IV) 24 VAC Power.



Measure Power VAC from: [Common] – [Hot] at 24 V ± 5%

Confirm that the 24 VAC Hot to Hot on all bays is 0 V – all bays must be Polarized & use the same Phase when using a 3 Phase system. If any 24 VAC Hot to any other 24VAC Hot has more than 2 volts there may be a Polarizing or Phase issue.

V) Grounding.



Solid Ground practices will reduce noise issues. See figure B9 below.

Measure Power VAC from: [GND] – [Common] at 0 V

TECH NOTE ON GROUNDING

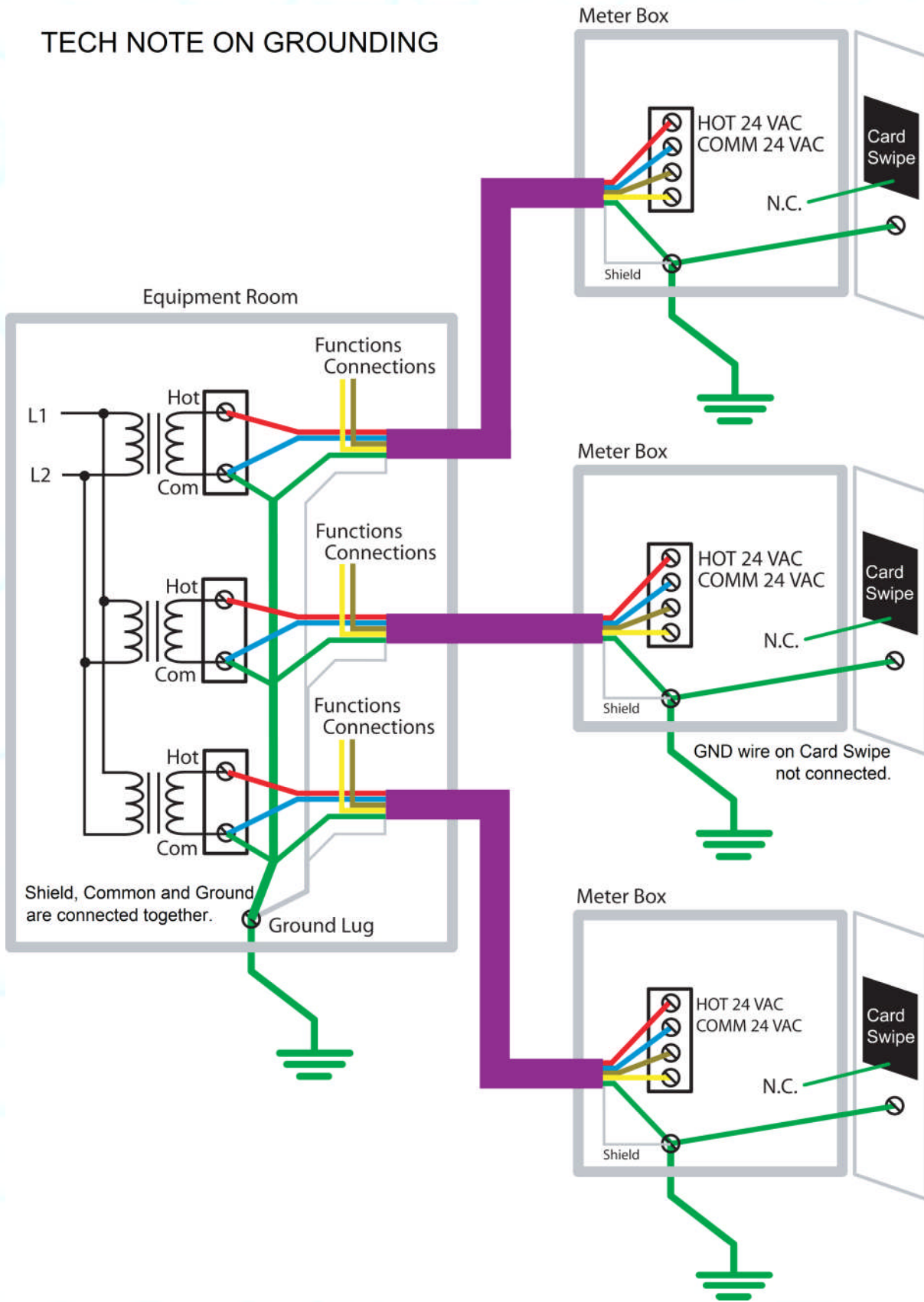


Fig #B9

Unless otherwise indicated, PaymentBay LLC owns all intellectual property in this Document, including without limitation, the trademarks, service marks, and tradenames displayed in this Document as well as the copyright of this Document, images, text and screens. The material and information in this Document may not be published, copied, distributed, licensed, modified, sold, used to create a derivative work or otherwise used for public or commercial purposes, without the prior express written permission of PaymentBay LLC.

VI) Adjusting the Modem for an inadequate phone line.

Under the SYS Menu there is a sub-menu called GAIN

The GAIN has Four (4) selections to choose from:

- 0008 -8dB [Factory Set] used for normal to weak phone line
- 0009 -9dB Use normal to sensitive phone line
- 0010 -10dB Use for sensitive phone line
- 0011 -11dB Use for very sensitive phone line

A “weak” [Harder to Hear] phone line is one requiring a “stronger” modem signal necessary to communicate to the Credit Card Processing company. Try 008 or 009.

A sensitive [Cuts-out or Distorts with loud Volumes] phone line is one requiring a “softer” modem signal necessary to communicate to the Credit Card Processing company. Try 0010 or 0011.

Appendix C

Example of the Quick Start Five Steps

Use this example to get familiar with programming Quick Pay

Step	Action	Comment	Displayed
1	Enter Password #2 & Press [Enter]	Swiping the Merchant Programming Card set up the Terminal with your payment account numbers	****
			LINK
	Swipe Merchant Card		“MERCHANT PROGRAMMED”
			LINK
2	Press [Enter]	Step 2 Identifies your Terminal/Timer	CATG
	Press [Enter]	Press [Ch+] and [Ch-] to change	BAY
	Press [Enter]	Press [Ch+] and [Ch-] to change	0001
	Press [Enter]	The COPY function is explained later	COPY
	Press [Mute]		LINK

Quick Pay Users Guide

Step	Action	Comment	Displayed
3	Press [Vol+]	Step 3 Sets up your time/amounts	STUP
	Press [Enter]		COIN
	Press [Enter]	Press [Ch+] and [Ch-] to change	\$1.50
	Press [Enter]		TIME
	Press [Enter]	Press [Ch+] and [Ch-] to change	04:00
	Press [Enter]		CRD1
	Press [Enter]	Press [Ch+] and [Ch-] to change	\$2.00
	Press [Enter]		CRD2
	Press [Enter]	Press [Ch+] and [Ch-] to change	\$1.00
	Press [Enter]	The MAX function is explained later	MAX
	Press [Mute]		STUP
4	Press [Vol+]	Step 4 Proceed to System Menu and setup Terminal/Timer type	BONS
	Press [Vol+]		CNTR
	Press [Vol+]		SYS
	Press [Enter]		HOST
	Press [Enter]	Press [Ch+] and [Ch-] to change	SELF

Quick Pay Users Guide

Step	Action	Comment	Displayed
	Press [Enter]	The PNT? function is explained later	PNT?
	Press [Mute]		HOST
	Press [Mute]		SYS
5	Press [Vol+]	Step 5 Proceed to Merchant Menu to activate credit cards	MCHT
	Press [Enter]		PHON
	Press [Vol—]	Proceed in reverse order to the Card Sub Menu	CHRG
	Press [Vol—]		WAIT
	Press [Vol—]		TRAN
	Press [Vol—]		CARD
	Press [Enter]		AMEX
	Press [Enter]	Press [Ch+] and [Ch-] to change	OFF
	Press [Enter]		DISC
	Press [Enter]	Press [Ch+] and [Ch-] to change	OFF
	Press [Enter]		MAST
	Press [Enter]	Press [Ch+] and [Ch-] to change	ON
	Press [Enter]		VISA

Quick Pay Users Guide

Step	Action	Comment	Displayed
	Press [Enter]	Press [Ch+] and [Ch-] to change	ON
	Press [Enter]		AMEX
	Press [Mute]		CARD
	Press [Mute]		MCHT
	Press [Mute]	Exits Programming Mode	“SWIPE CARD OR INSERT”

Appendix D

Remote Display Option

A display extension is available allowing the Internal Meter Box Display to be mounted in confined locations.

Appendix E

Software Revision History

If you are using an earlier Revision please note differences.

Release No.	Date	Revision Description
R1.17		STUP:WASH(10:00 -> 99:00); STUP:MAX(\$25.00 -> \$250.00); SYS:GAIN
R1.18		SYS:ALARM; MRCH:TRAN
R2.00		Printer Support; SYS:NAM1,NAM2; STUP:TAX; SYS:HOST:SELF,AUTO,PET,VEND; MRCH:DIAL
R2.01		Internal Updates
R2.02		Broadcast Declined Card; LINK:CATG; LINK:COPY
R2.03		MRCH:LOC; BONUS:SPCL
R2.04		Receipt Print Update; MRCH:WAIT; SYS:HOST:SELF,AUTO,PET,VEND,TOKEN; BONUS:BUCK
R2.05		View System Voltage with [Vol-] button

LIMITED WARRANTY

Etowah Valley Equipment, Inc. warrants this QuickPay equipment, manufactured by it, to be free from defects in material or workmanship under normal use. Our obligation under this warranty is to the original purchaser only and is limited to making good at our factory any part or parts thereof which are returned to us or our authorized dealer from whom product was purchased with all transportation charges prepaid to the factory. Etowah Valley Equipment, Inc. will repair or replace at its option, any defective part(s) or component(s) for a period of one (1) year from the date of purchase.

This **Limited Warranty** does not cover equipment that has been damaged due to misuse, neglect, incorrect programming or option setting(s), unintended applications, accident, incorrect primary and/or control wiring, improper connections, incorrect voltage & current supply, incorrect wiring size, improper supply phasing, missing or insufficient neutral reference and/or improper grounding, improper installation, power surges, shipping, utility (public or private) disruptions, water, vandalism, theft, attempted theft or units that have been altered or repaired outside of our factory.

Etowah Valley Equipment, Inc. makes no warranty concerning the compliance of the equipment with any local, state or federal/national laws or regulations. The purchaser agrees to accept full responsibility for complying with such laws.

There are no warranties other than those described on the face hereof and they are in lieu of all other warranties whether implied or expressed, including but not limited to the implied warranties of merchantability and fitness for a particular purpose.

ETOWAH VALLEY EQUIPMENT, INC. ASSUMES NO LIABILITY WHATSOEVER FOR THE INSTALLATION AND OR USE OF OUR PRODUCTS. ETOWAH VALLEY EQUIPMENT, INC. SHALL NOT BE RESPONSIBLE FOR ANY SPECIAL, CONSEQUENTIAL OR INCIDENTAL DAMAGES RESULTING FROM THE PURCHASE, INSTALLATION, USE OR IMPROPER FUNCTIONING OF THIS EQUIPMENT REGARDLESS OF THE CAUSE. SUCH DAMAGES FOR WHICH ETOWAH VALLEY EQUIPMENT, INC. WILL NOT BE RESPONSIBLE INCLUDE, BUT ARE NOT LIMITED TO, LOSS OF REVENUE OR PROFIT, PERSONAL, BODILY INJURY OR DEATH, DOWNTIME COSTS, LOSS OF USE OF THE EQUIPMENT, COST OF ANY SUBSTITUTE EQUIPMENT, FACILITIES OR SERVICES, OR CLAIMS OF YOUR CUSTOMERS FOR SUCH DAMAGE.

REPLACEMENT OR REPAIR OF PARTS OR COMPONENTS IN ACCORDANCE WITH THE ABOVE **LIMITED WARRANTY** SHALL BE THE PURCHASER'S SOLE AND EXCLUSIVE REMEDY AGAINST ETOWAH VALLEY EQUIPMENT, INC.

Etowah Valley Equipment, Inc. reserves the right to make any changes or improvements in our products without any notice or obligation and without being required to make corresponding changes or improvements in product theretofore manufactured or sold.

ETOWAH VALLEY EQUIPMENT, INC. (828) 891-7768
47 ETOWAH CENTER DR.
ETOWAH, NC 28729

Quick Pay Users Guide