

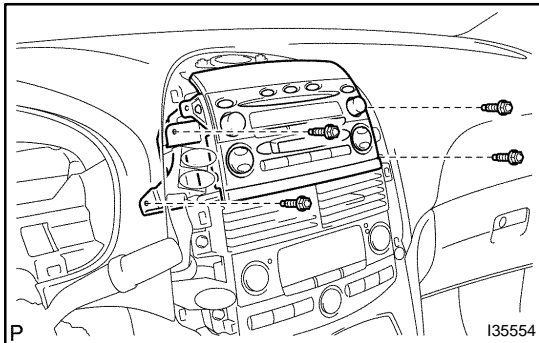
RADIO RECEIVER ASSY REPLACEMENT

670QN-01

HINT:

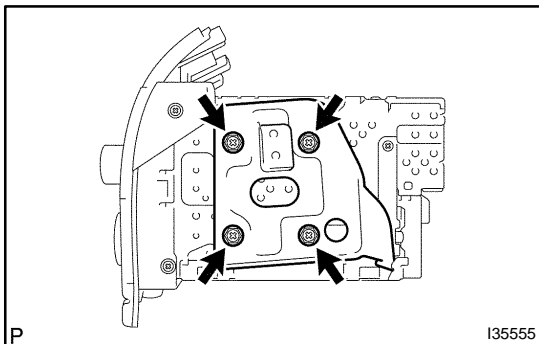
COMPONENTS: See page 67-2

1. REMOVE INSTRUMENT CLUSTER FINISH PANEL CENTER NO.1 (See page 71-10)
2. REMOVE INSTRUMENT CLUSTER FINISH PANEL CENTER NO.2 (See page 71-10)
3. REMOVE INSTRUMENT CLUSTER FINISH PANEL GARNISH (See page 71-10)



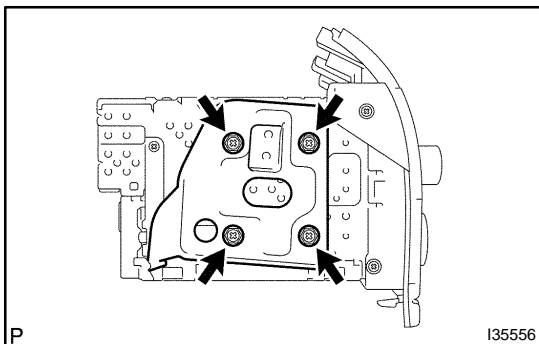
4. REMOVE RADIO RECEIVER ASSEMBLY W/BRACKET

- (a) Disconnect the connectors and remove the 4 screws and the radio receiver assembly w/ bracket.



5. REMOVE RADIO BRACKET NO.1

- (a) Remove the 4 screws and the radio bracket No.1.



6. REMOVE RADIO BRACKET NO.2

- (a) Remove the 4 screws and the radio bracket No.2.

7. REMOVE RADIO RECEIVER ASSY