

# THRIHC - Willow Park

## Willow Park, TX

### General Notes

Applicable Code: INTERNATIONAL BUILDING CODE, 2009 EDITION

**Use of Drawings:**

The Contractor shall verify all dimensions and conditions at job site before commencing with work, and shall report any discrepancies to Composite Panel Technology South, Inc. Engineering (CPT-South).

Omissions and conflicts between various elements of the drawings, notes, and details shall be brought to the attention of CPT-South and resolved prior to proceeding with the work.

Do not use scaled dimensions from the drawings. Where no dimension is provided, consult with CPT-South for clarification prior to proceeding with the work.

Details shown shall be incorporated into the project at all appropriate locations whether specifically called out or not.

**Structural Steel: (If Provided)**

A: Design shall conform to AISC "Manual of Steel Construction", Ninth Edition.

**B: Materials:**

- ASTM A36,  $F_y = 36$ ksi for beams
- ASTM A500, Grade B,  $f_y = 46$ ksi for structural tubing

**Cold Formed Metal Framing: (If Provided)**

A: Design, Fabrication, and erection shall conform to AISI "Cold Formed Steel Design Manual", latest edition (or addenda).

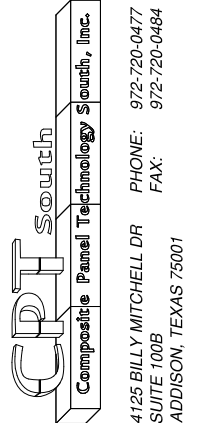
**B: Materials:**

1. All 12, 14, or 16 gage members shall be formed from steel that corresponds to the min. requirements of ASTM A570, Grade 55 with a min. yield strength of 57,000 psi.
2. Unless noted otherwise, all 18 gage studs and joists shall be formed from steel that corresponds to the min. requirements of ASTM A446 Grade A with a min. yield strength of 33,000 psi, or ASTM A570 Grade 33 (or higher) with a min. yield strength of 33,000 psi.
3. All light gage track, bridging, angle, and other miscellaneous shapes and accessories shall be formed from steel that corresponds to the min. requirements of ASTM A446, Grade A with a min. yield strength of 33,000 psi, or ASTM A570 Grade 33 (or higher) with a min. yield strength of 33,000 psi.
4. All galvanized studs, joists, track, bridging, angle and other miscellaneous shapes and accessories shall be formed from steel having a G-60 galvanized coating meeting the requirements of ASTM A525. Non-galvanized members shall have a shop applied primer coat.

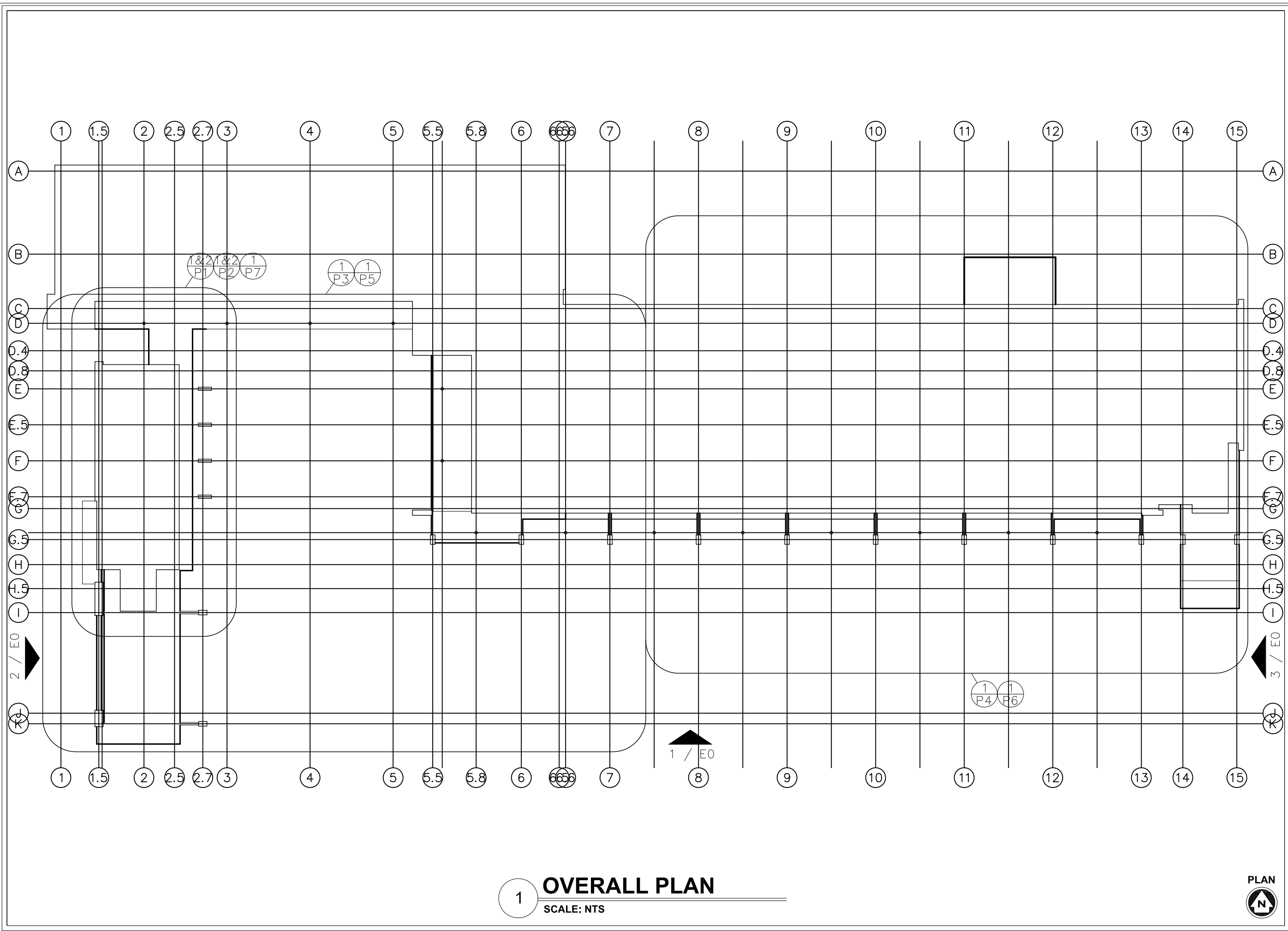
5. G.C. to provide all vertical & horizontal benchmarks.
  6. Out of sequence moving caused by other trades or G.C. will be cause for additional time and compensation.
  7. Caulking and window perimeter by others and shall be compatible with DOW 795 SILICONE.
  8. G.C. to coordinate all sub-framing and sheathing to be installed based on Composite Panel System approved shop drawings and subsequent dimensions.
  9. Aluminum Composite Materials:
    - Aluminum Composite Panel: Alpolic - 4mm PE Core  
Stock Color: BNT Bone White - ACM-1
    - Aluminum Composite Panel: Reynobond - 4mm PE Core  
Custom Color: Italian Walnut - ACM-2
- A. Composite panels to be fabricated from approved erection drawings. Details not shown shall comply to industry standards.
- B. Composite panels to be attached by CPT-South to solid substrate provided by others.
- C. No additional structural members or framing shall be supplied by CPT-South unless specifically included in sub-contract.

SHEET INDEX	
NO.	NAME
C5	COVER SHEET
P0	OVERALL PLAN
P1	PLANS
P2	PLANS
P3	PLAN
P4	PLAN
P5	PLAN
P6	PLAN
P7	PLAN
E0	OVERALL ELEVATIONS
E1	ELEVATIONS
E2	ELEVATIONS
E3	ELEVATIONS
E4	ELEVATIONS
E5	ELEVATIONS
E6	ELEVATIONS
S1	SECTIONS
S2	SECTIONS
S3	SECTIONS
S4	SECTIONS
D1	DETAILS
D2	DETAILS
D3	DETAILS

**G.C. NOTE:**  
**PANEL DIMENSIONS TO BE FIELD MEASURED  
 (AND FIELD MODIFIED) PRIOR TO FABRICATION.**



<b>PROJECT:</b> THR INTEGRATED HEALTH CAMPUS WILLOW PARK, TX	<b>ARCHITECT:</b> PERKINS & WILL <b>CONTRACTOR:</b> RIDGEMENT CONSTRUCTION
COVER	
Date: 8/11/14 Resubmit - ARCH 3/21/14 Submittal-ARCH	<b>CS</b>
Drawn by: I.E. BALLI Project #: 13-797	



**1 OVERALL PLAN**  
SCALE: NTS



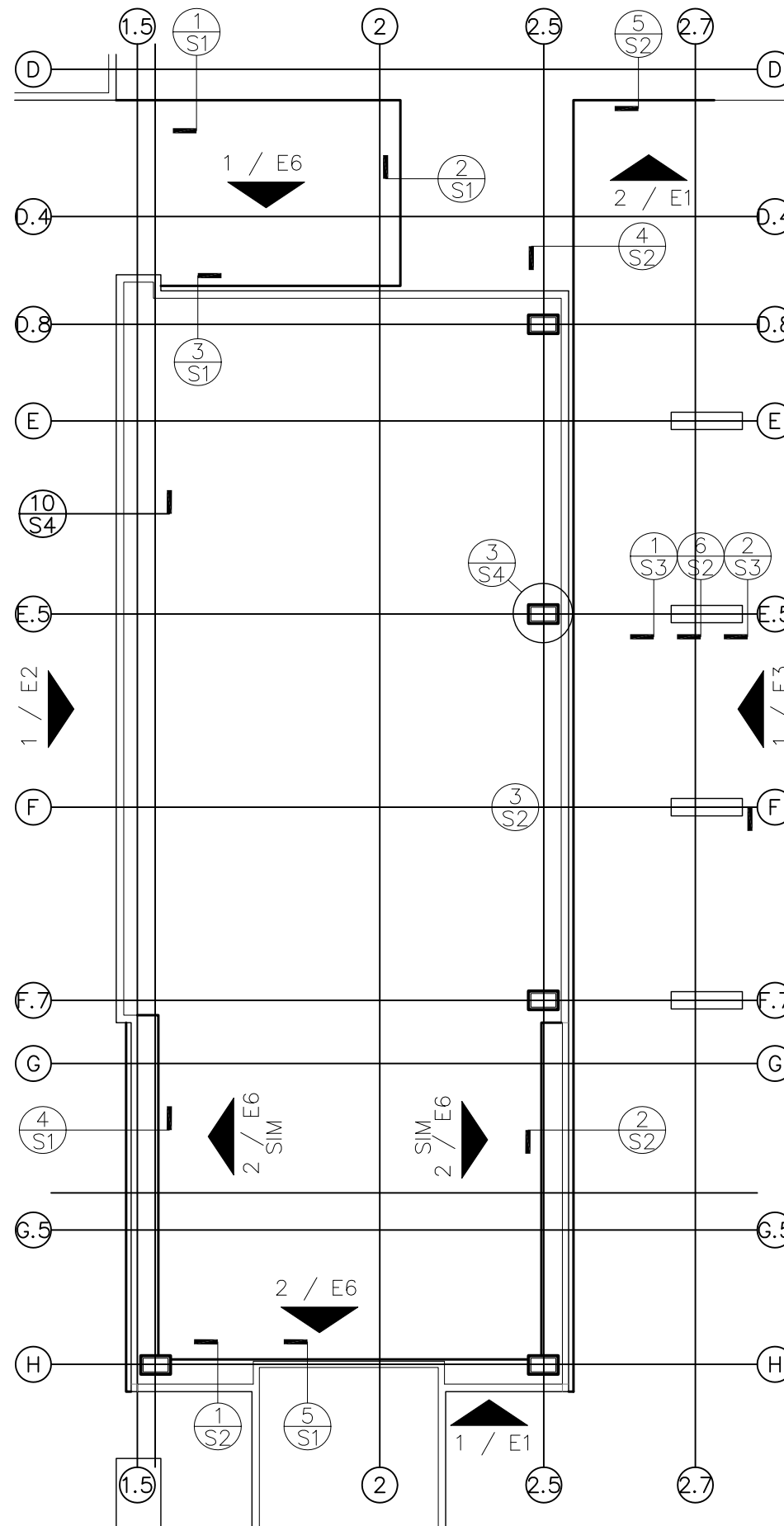
**CPT South**  
Composite Panel Technology South, Inc.  
4125 BILLY MITCHELL DR SUITE 100B  
ADDISON, TEXAS 75001  
PHONE: 972-720-0477  
FAX: 972-720-0484

**PROJECT:** THR INTEGRATED HEALTH CAMPUS  
WILLOW PARK, TX  
**ARCHITECT:** PERKINS & WILL  
**CONTRACTOR:** RIDGEMONT CONSTRUCTION

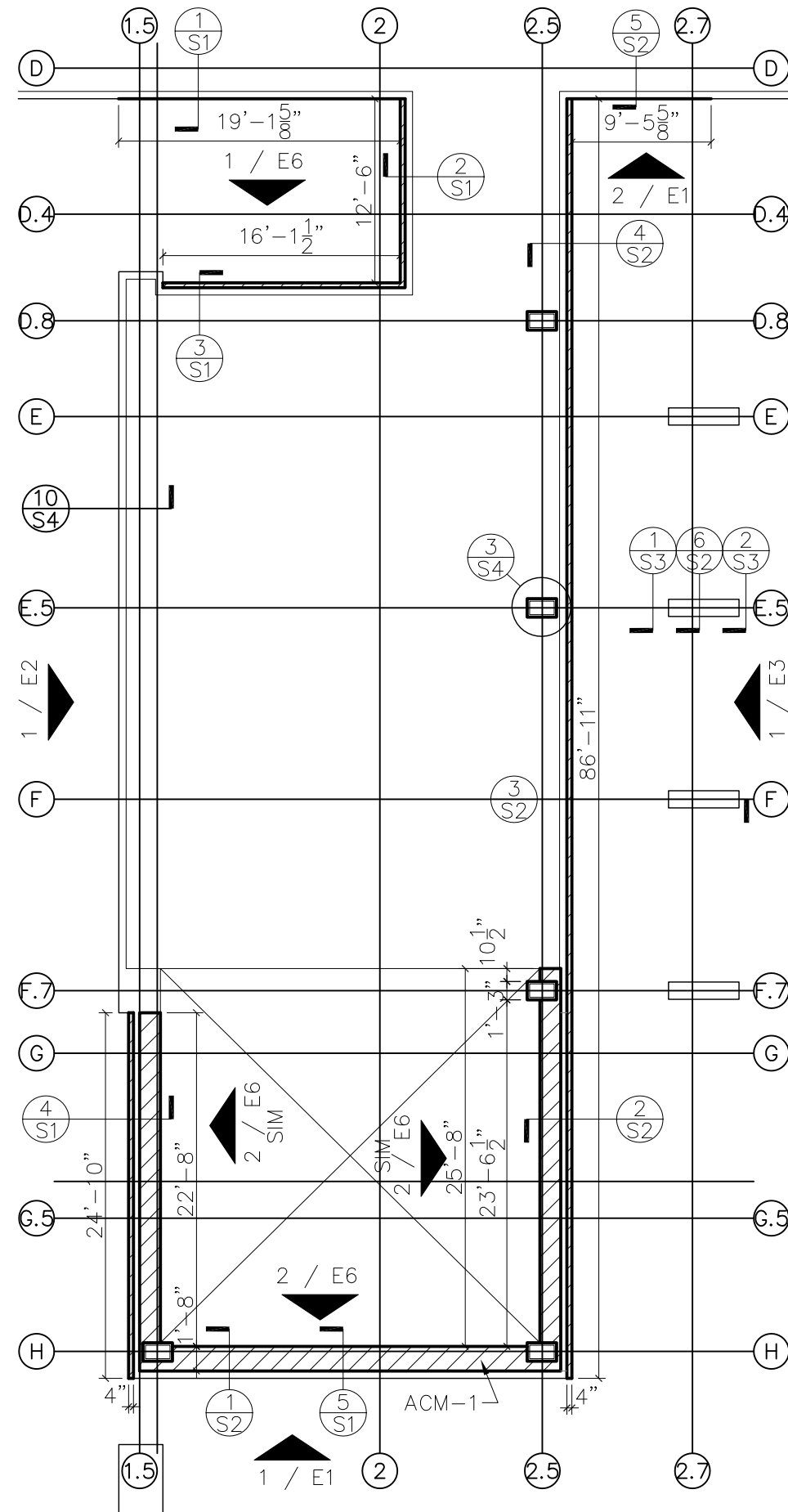
8/11/14 RESUBMIT - ARCH  
3/21/14 SUBMITTAL-ARCH

PLAN

Scale: NTS  
Sheet: I.E. BALLI  
Project: 13-797  
P0



**1 FLOOR PLAN - PARTIAL**  
SCALE: NTS @ FIRST LEVEL



**2 FLOOR PLAN - PARTIAL**  
SCALE: NTS @ SECOND LEVEL



ACM-1 BNT BONE WHITE	
ACM-2 ITALIAN WALNUT	

**CPPI South**  
Composite Panel Technology South, Inc.  
4125 BILLY MITCHELL DR SUITE 100B  
ADDISON, TEXAS 75001  
PHONE: 972-720-0477  
FAX: 972-720-0484

**PROJECT:** THR INTEGRATED HEALTH CAMPUS  
WILLOW PARK, TX

**ARCHITECT:** PERKINS & WILL

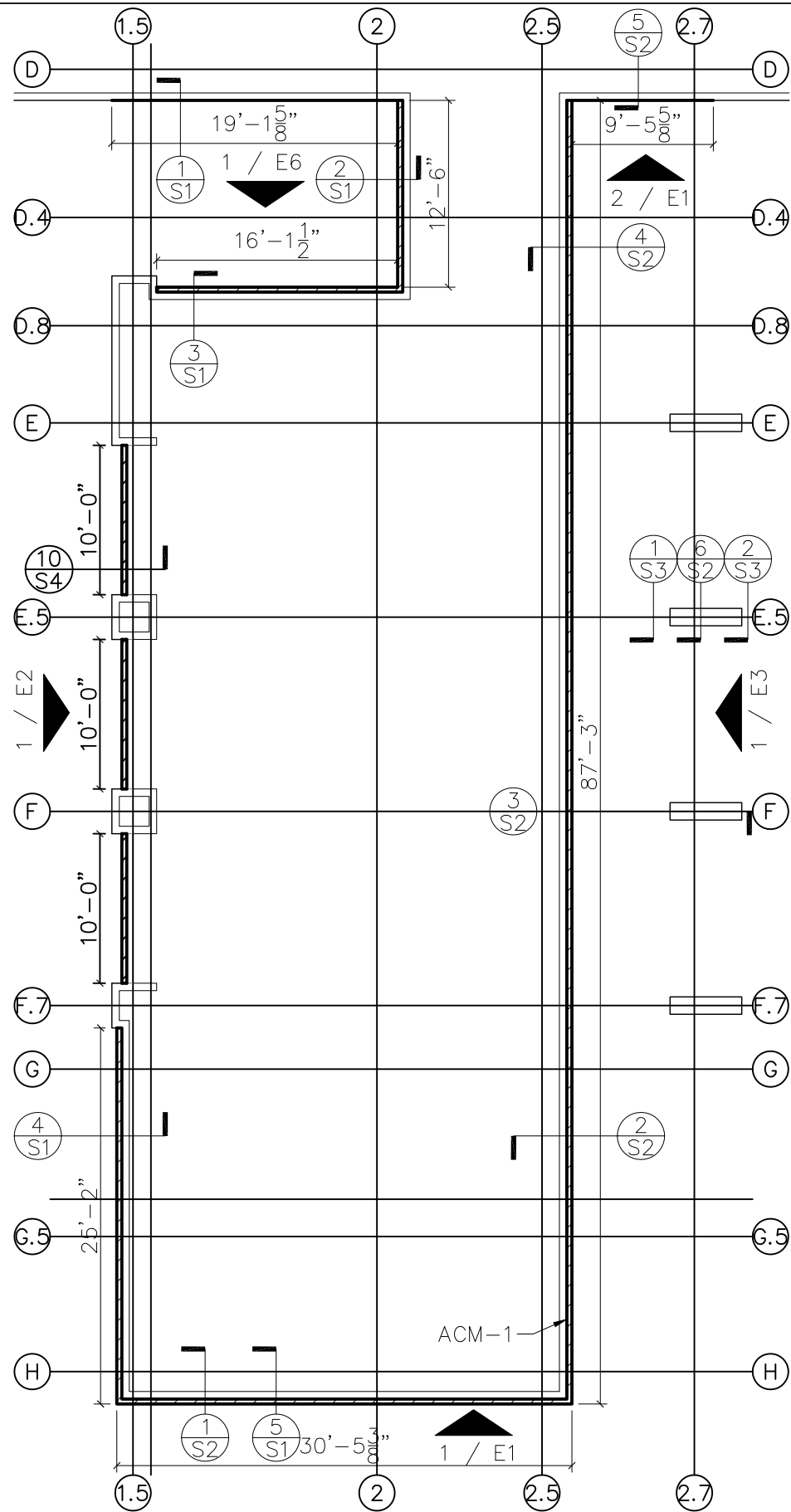
**CONTRACTOR:** RIDGEMONT CONSTRUCTION

8/11/14	RESUBMIT - ARCH
3/21/14	SUBMITTAL-ARCH

PLANS

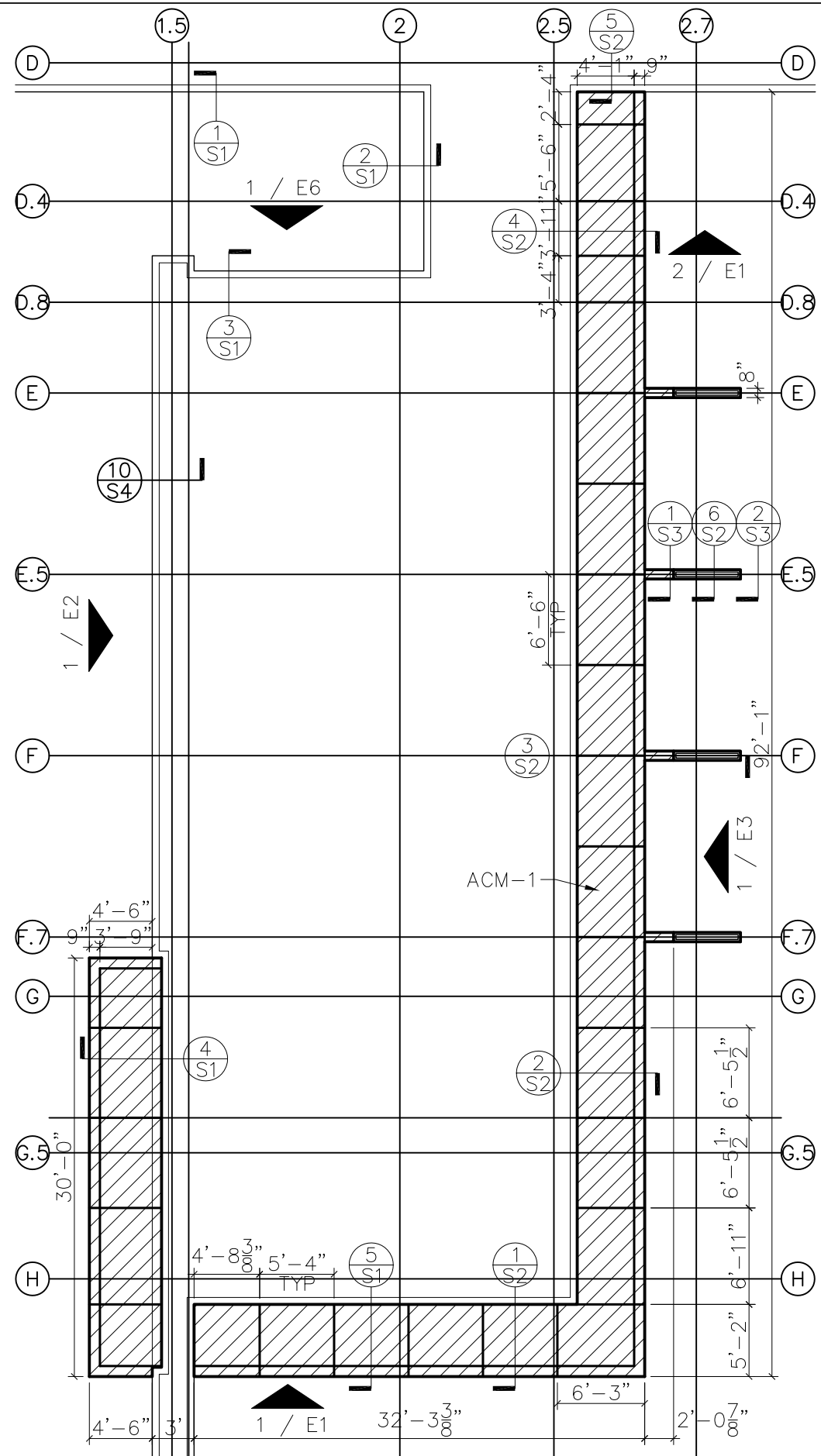
NTS  
I.E. BALLI  
13-797

**P1**



**1 FLOOR PLAN - PARTIAL**  
SCALE: NTS @ THIRD LEVEL

ACM-1	
BNT BONE WHITE	
ACM-2	
ITALIAN WALNUT	



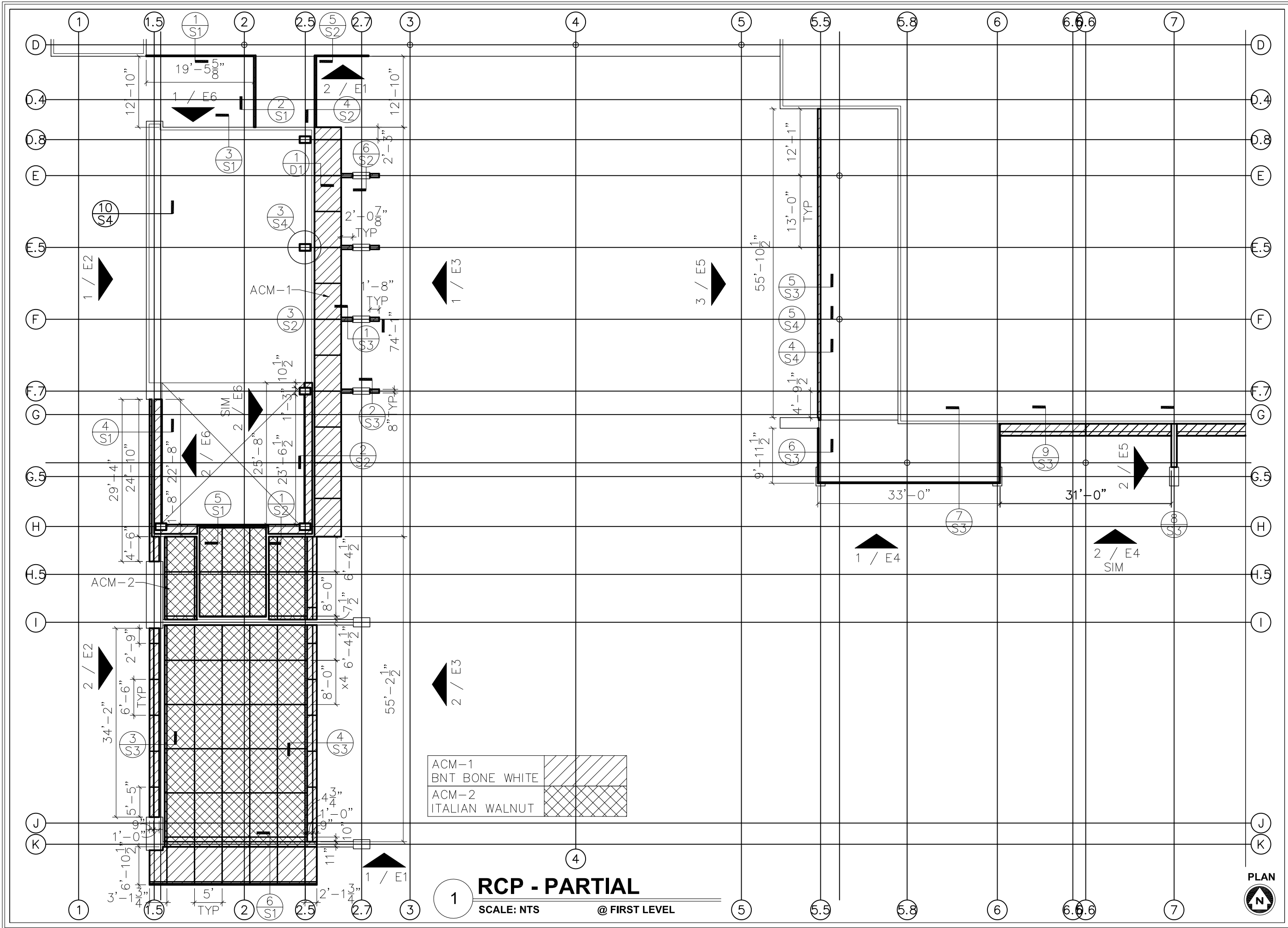
**1 RCP - PARTIAL**  
SCALE: NTS @ THIRD LEVEL



PROJECT: **THR INTEGRATED HEALTH CAMPUS**  
WILLOW PARK, TX  
ARCHITECT: **PERKINS & WILL**  
CONTRACTOR: **RIDGEMONT CONSTRUCTION**

8/11/14 RESUBMIT - ARCH  
3/21/14 SUBMITTAL-ARCH

PLANS



ACM-1	
BNT BONE WHITE	
ACM-2	
ITALIAN WALNUT	

**1 RCP - PARTIAL**  
SCALE: NTS @ FIRST LEVEL



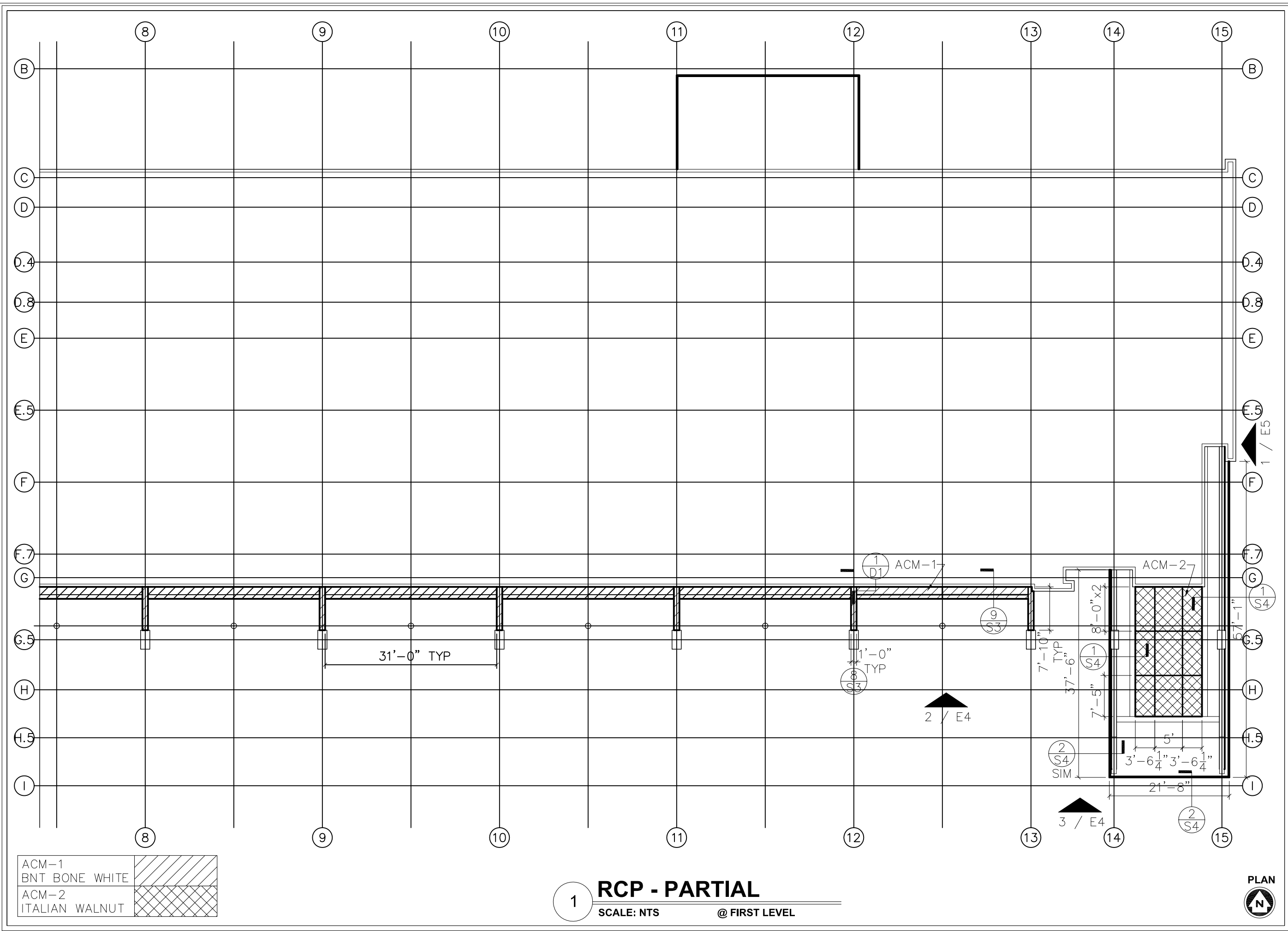
**CPT South**  
Composite Panel Technology South, Inc.  
4125 BILLY MITCHELL DR SUITE 100B  
ADDISON, TEXAS 75001  
PHONE: 972-720-0477  
FAX: 972-720-0484

PROJECT: **THR INTEGRATED HEALTH CAMPUS**  
WILLOW PARK, TX  
ARCHITECT: **PERKINS & WILL**  
CONTRACTOR: **RIDGEMONT CONSTRUCTION**

8/11/14 RESUBMIT - ARCH  
3/21/14 SUBMITTAL-ARCH

PLAN

NTS  
I.E. BALLI  
13-797  
**P3**



ACM-1	
BNT BONE WHITE	
ACM-2	
ITALIAN WALNUT	

**1 RCP - PARTIAL**  
 SCALE: NTS @ FIRST LEVEL



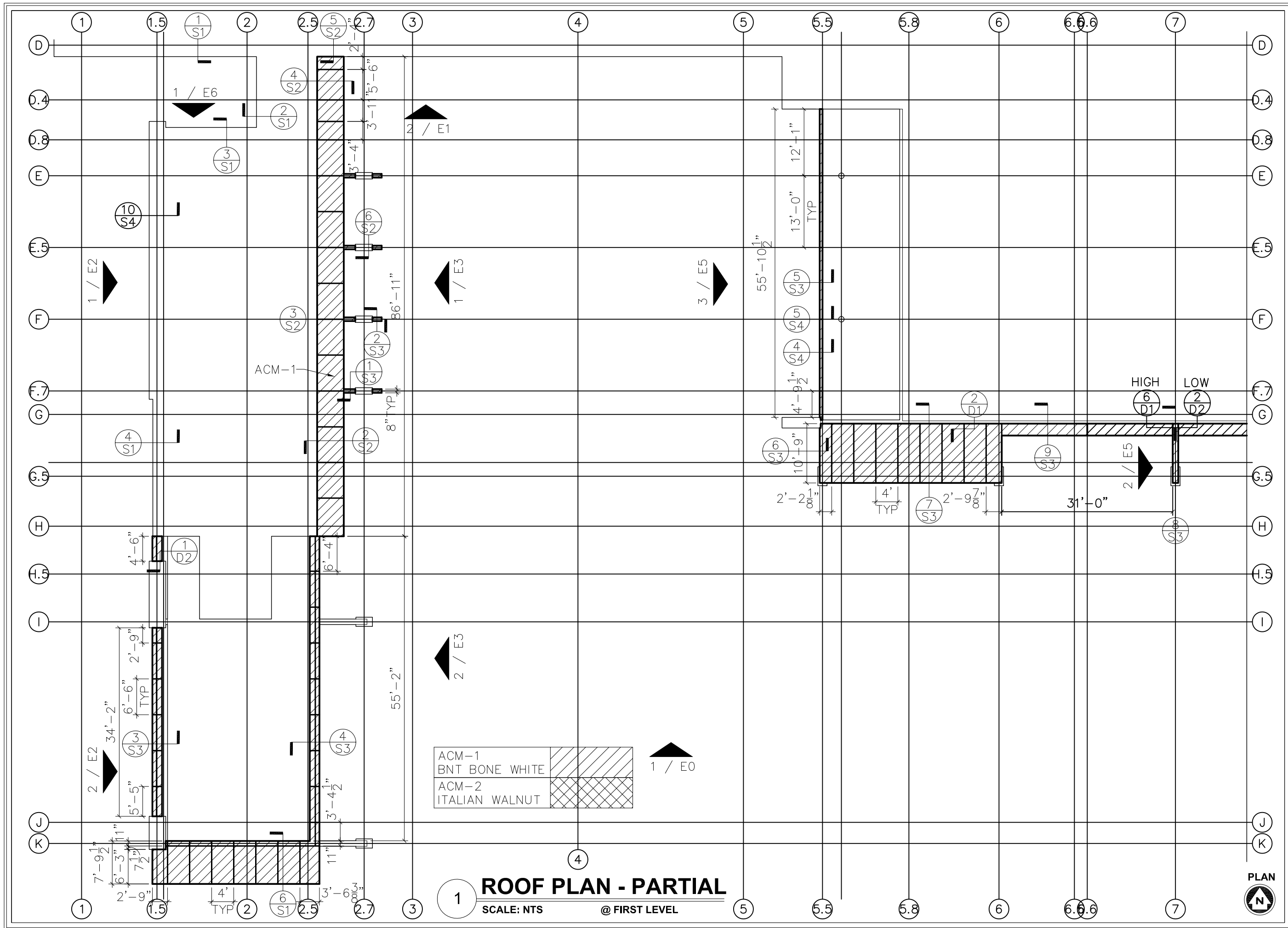
**CPT South**  
 Composite Panel Technology South, Inc.  
 4125 BILLY MITCHELL DR SUITE 100B  
 ADDISON, TEXAS 75001  
 PHONE: 972-720-0477  
 FAX: 972-720-0484

**PROJECT:** THR INTEGRATED HEALTH CAMPUS  
 WILLOW PARK, TX  
**ARCHITECT:** PERKINS & WILL  
**CONTRACTOR:** RIDGEMONT CONSTRUCTION

8/11/14 RESUBMIT - ARCH  
 3/21/14 SUBMITTAL-ARCH

PLANS

Scale: NTS  
 Designer: I.E. BALLI  
 Project: 13-797  
**P4**



**ROOF PLAN - PARTIAL**

SCALE: NTS @ FIRST LEVEL

**CPT South**  
 Composite Panel Technology South, Inc.  
 4125 BILLY MITCHELL DR SUITE 100B ADDISON, TEXAS 75001  
 PHONE: 972-720-0477 FAX: 972-720-0484

**PROJECT:** THR INTEGRATED HEALTH CAMPUS  
 WILLOW PARK, TX

**ARCHITECT:** PERKINS & WILL

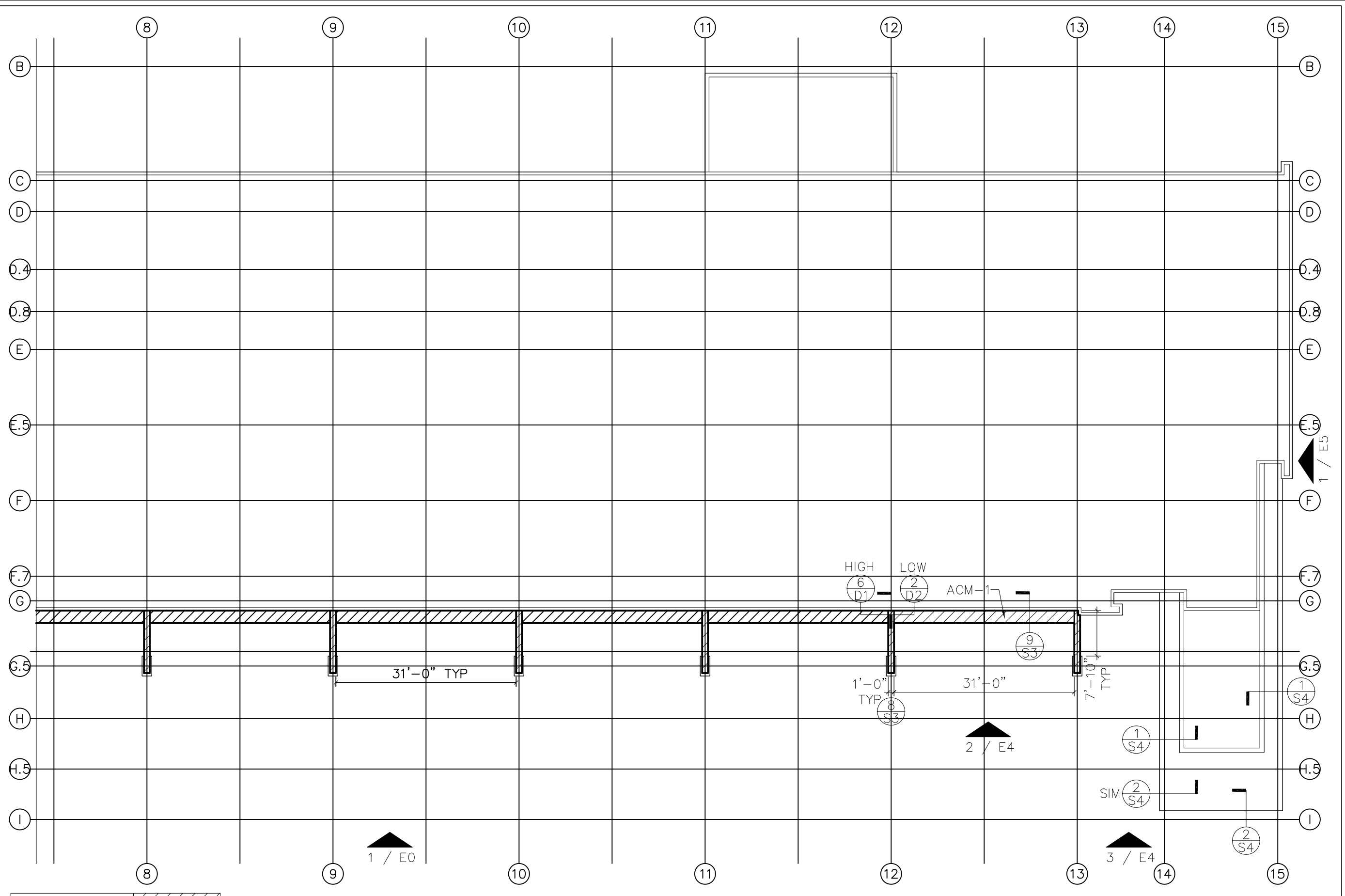
**CONTRACTOR:** RIDGEMONT CONSTRUCTION

8/11/14	RESUBMIT - ARCH
3/21/14	SUBMITTAL-ARCH

**PLAN**

NTS  
 I.E. BALLI  
 13-797

**P5**



ACM-1	
BNT BONE WHITE	
ACM-2	
ITALIAN WALNUT	

**1 ROOF PLAN - PARTIAL**  
SCALE: NTS @ FIRST LEVEL



PROJECT: THR INTEGRATED HEALTH CAMPUS  
WILLOW PARK, TX

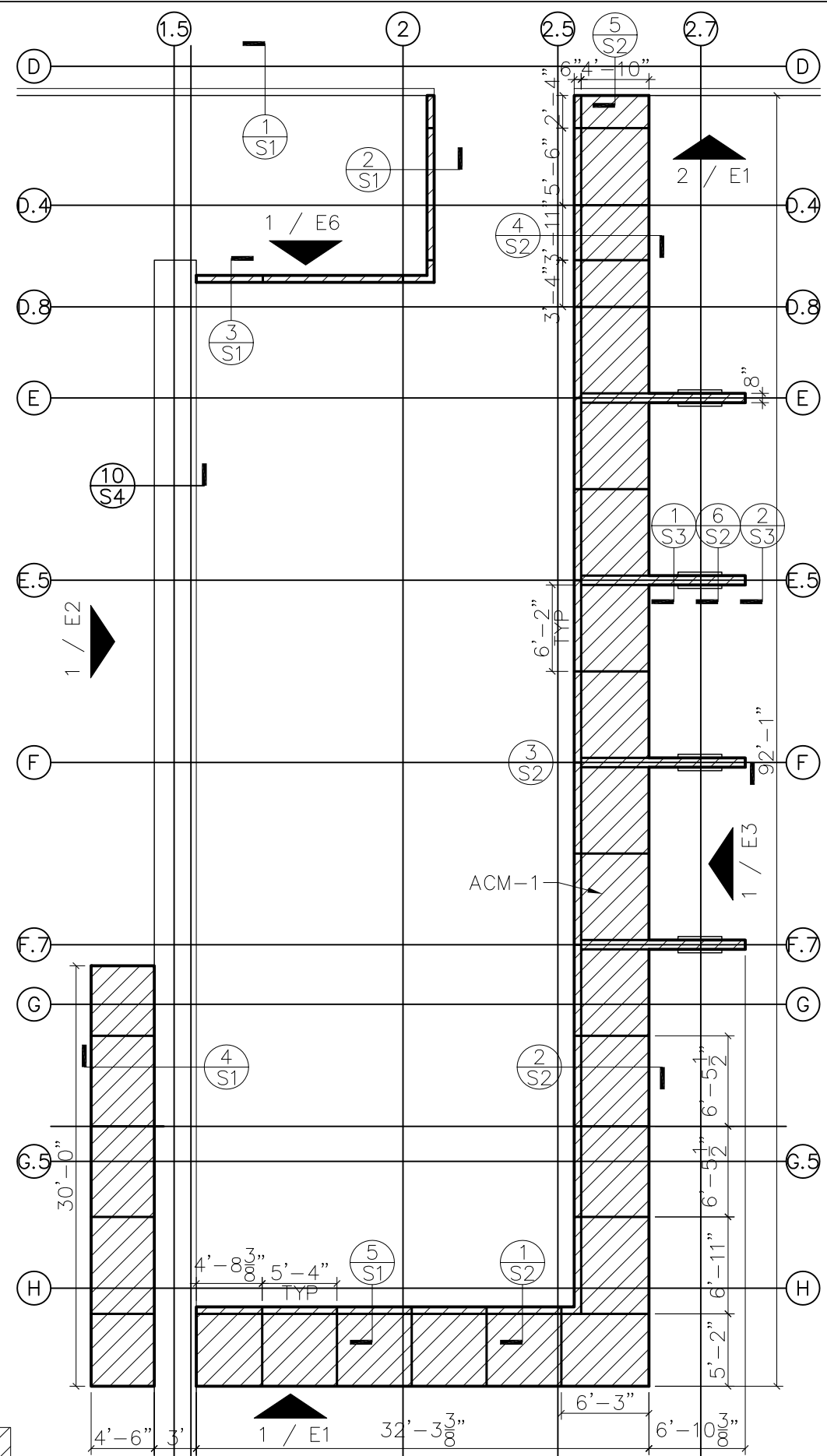
ARCHITECT: PERKINS & WILL

CONTRACTOR: RIDGEMONT CONSTRUCTION

8/11/14 RESUBMIT - ARCH  
3/21/14 SUBMITTAL-ARCH

PLAN





ACM-1	
BNT BONE WHITE	
ACM-2	
ITALIAN WALNUT	

**1** **ROOF PLAN - PARTIAL**  
 SCALE: NTS @ THIRD LEVEL



**CPT South**  
 Composite Panel Technology South, Inc.  
 4125 BILLY MITCHELL DR SUITE 100B  
 ADDISON, TEXAS 75001  
 PHONE: 972-720-0477  
 FAX: 972-720-0484

PROJECT: **THR INTEGRATED HEALTH CAMPUS**  
 WILLOW PARK, TX

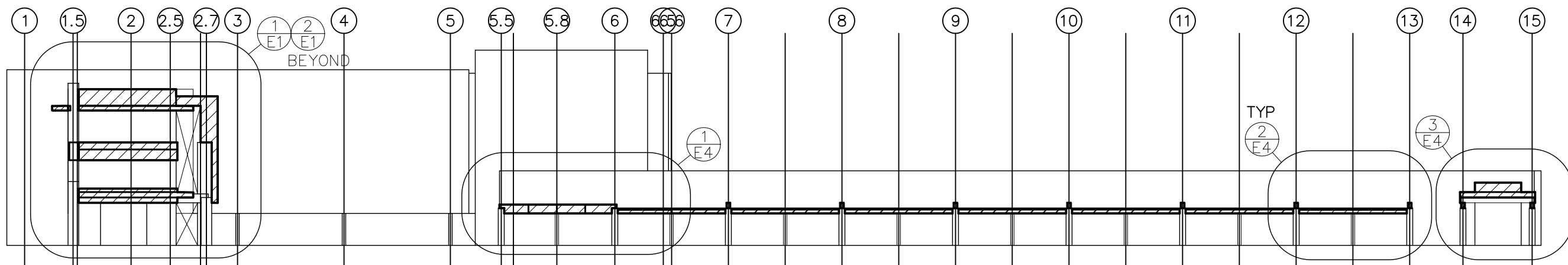
ARCHITECT: **PERKINS & WILL**

CONTRACTOR: **RIDGEMONT CONSTRUCTION**

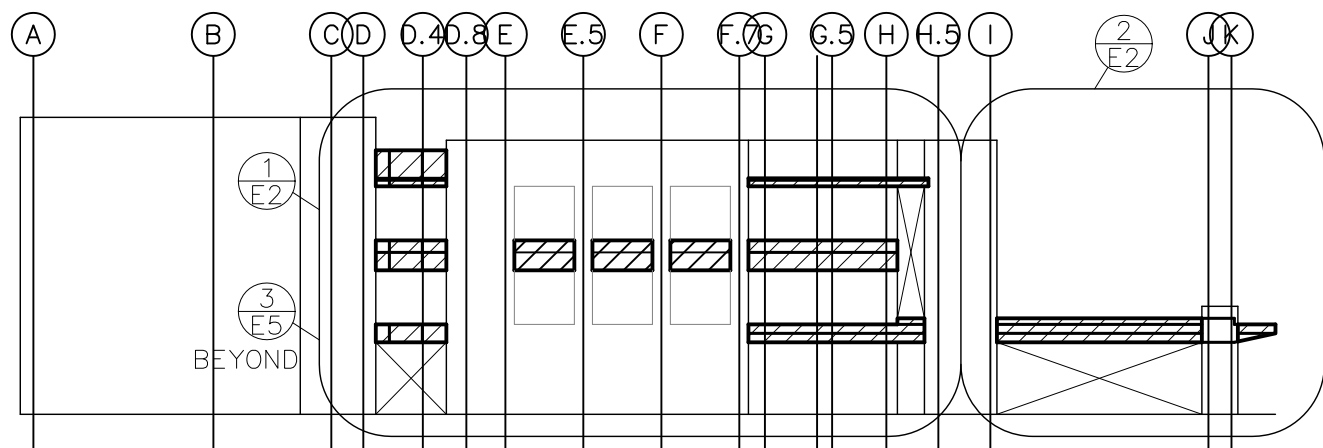
8/11/14 RESUBMIT - ARCH  
 3/21/14 SUBMITTAL-ARCH

PLANS

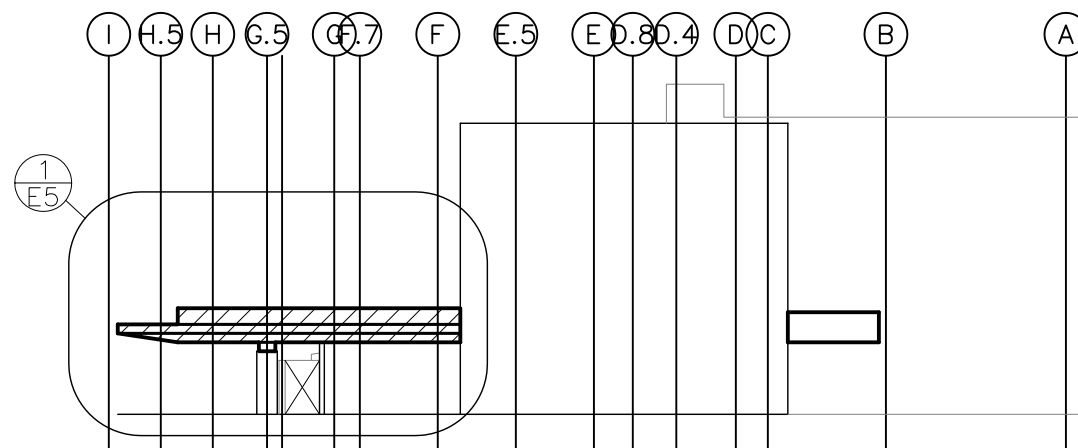
NO.	NTS	DATE	
1	I.E. BALLI		
2			
3			
4			
5			
6			
7			
8			
9			
10			
11			
12			
13			
14			
15			
16			
17			
18			
19			
20			
21			
22			
23			
24			
25			
26			
27			
28			
29			
30			
31			
32			
33			
34			
35			
36			
37			
38			
39			
40			
41			
42			
43			
44			
45			
46			
47			
48			
49			
50			
51			
52			
53			
54			
55			
56			
57			
58			
59			
60			
61			
62			
63			
64			
65			
66			
67			
68			
69			
70			
71			
72			
73			
74			
75			
76			
77			
78			
79			
80			
81			
82			
83			
84			
85			
86			
87			
88			
89			
90			
91			
92			
93			
94			
95			
96			
97			
98			
99			
100			



**1 SOUTH ELEVATION**  
SCALE: NTS



**2 WEST ELEVATION**  
SCALE: NTS



**3 EAST ELEVATION**  
SCALE: NTS

ACM-1 BNT BONE WHITE	
ACM-2 ITALIAN WALNUT	

**CPT South**  
Composite Panel Technology South, Inc.  
4125 BILLY MITCHELL DR SUITE 100B ADDISON, TEXAS 75001  
PHONE: 972-720-0477 FAX: 972-720-0484

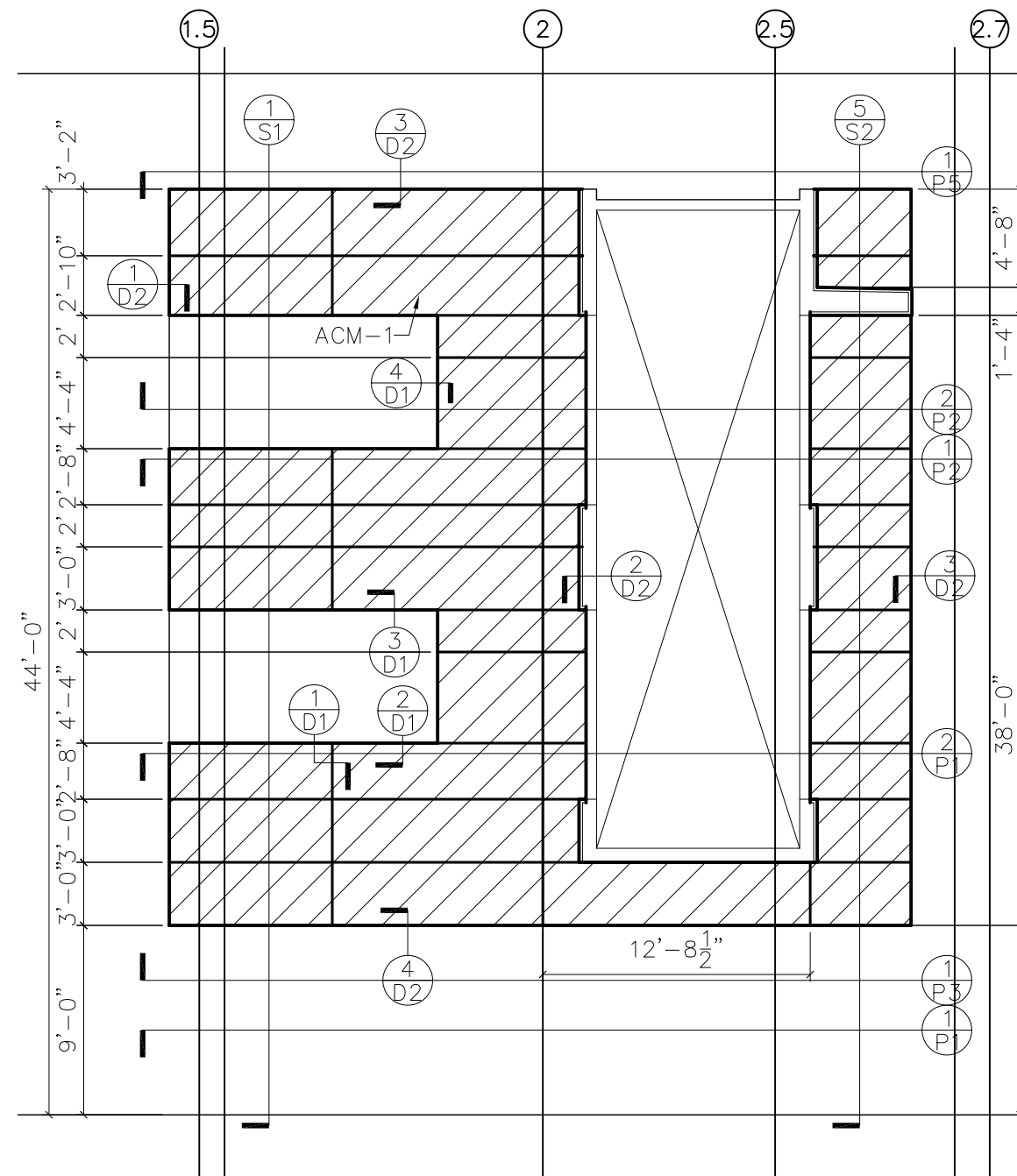
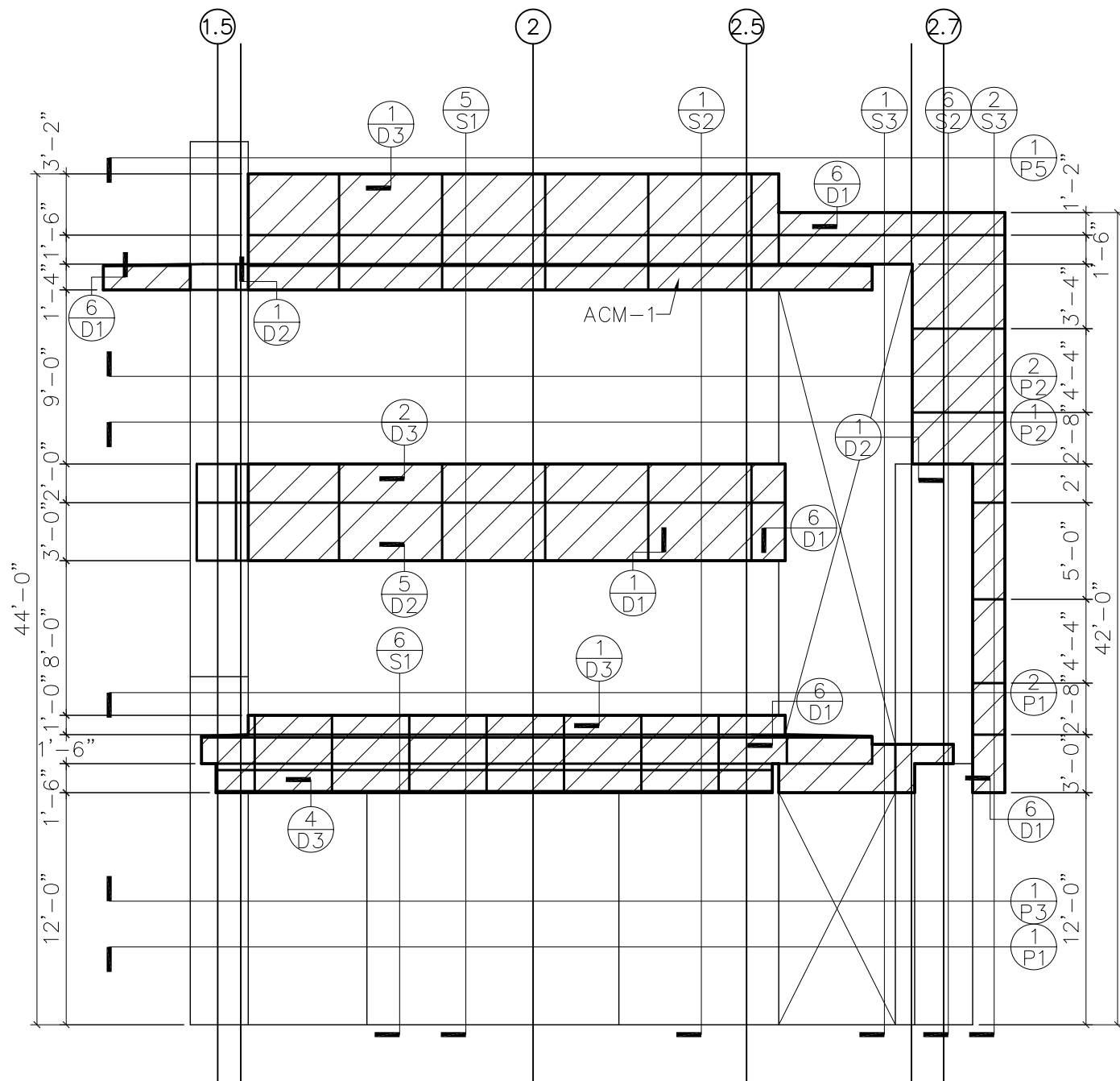
PROJECT: THR INTEGRATED HEALTH CAMPUS  
WILLOW PARK, TX  
ARCHITECT: PERKINS & WILL  
CONTRACTOR: RIDGEMONT CONSTRUCTION

8/11/14 RESUBMIT - ARCH  
3/21/14 SUBMITTAL-ARCH

**ELEVATION**

SCALE: NTS  
DRAWN BY: I.E. BALLI  
PROJECT: 13-797  
**E0**

NOTE: UNLESS OTHERWISE INDICATED, ALL VERT & HORIZ JOINTS ALIGNED W/ MULLIONS.



ACM-1	
BNT BONE WHITE	
ACM-2	
ITALIAN WALNUT	

**1 SOUTH ELEVATION**  
SCALE: NTS

**2 SOUTH ELEVATION**  
SCALE: NTS

**CPT South**  
Composite Panel Technology South, Inc.  
4125 BILLY MITCHELL DR SUITE 100B ADDISON, TEXAS 75001  
PHONE: 972-720-0477 FAX: 972-720-0484

**PROJECT:** THR INTEGRATED HEALTH CAMPUS  
WILLOW PARK, TX

**ARCHITECT:** PERKINS & WILL

**CONTRACTOR:** RIDGEMONT CONSTRUCTION

8/11/14	RESUBMIT - ARCH
3/21/14	SUBMITTAL-ARCH

**ELEVATION**

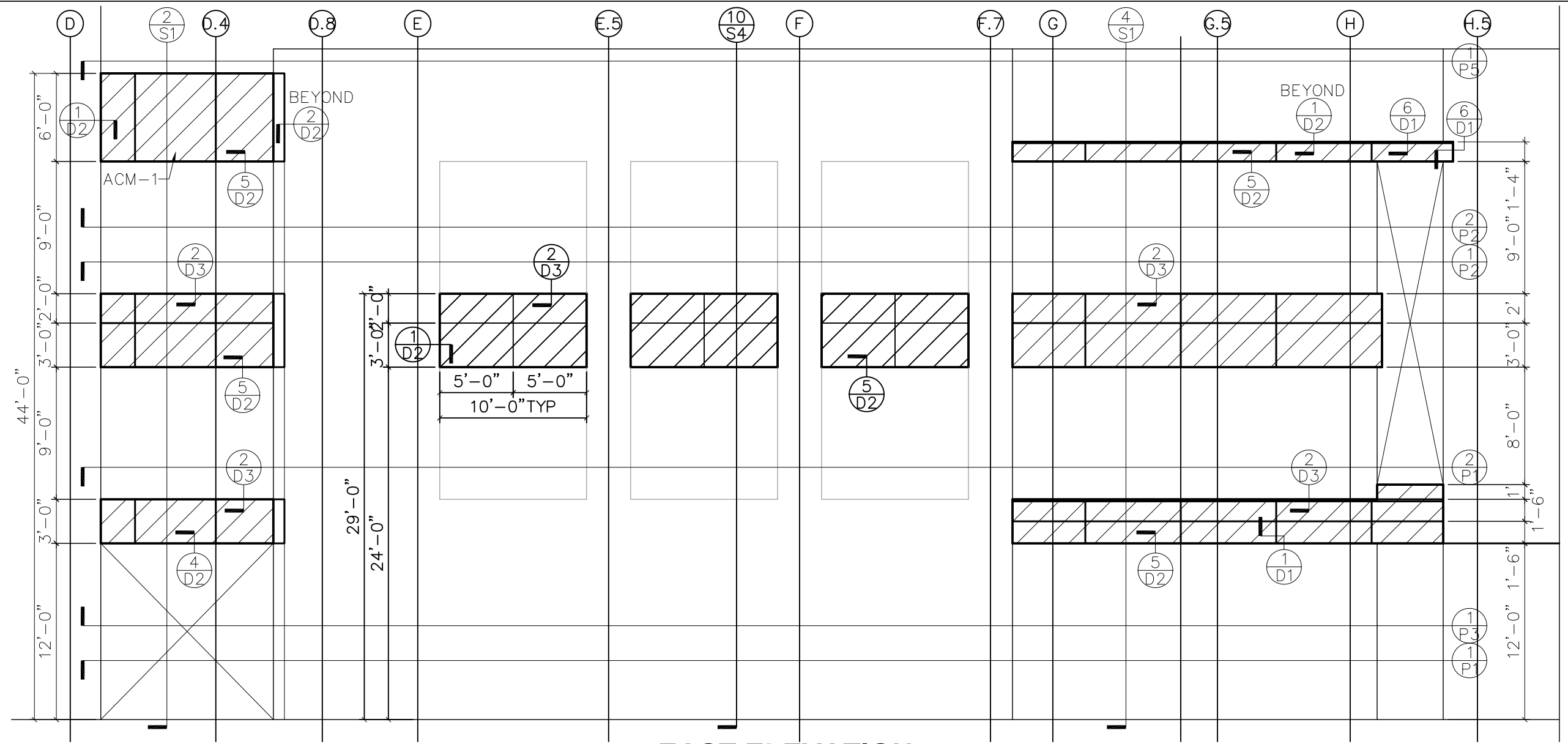
NTS  
I.E. BALLI  
13-797

**E1**

**PROJECT:** THR INTEGRATED HEALTH CAMPUS  
 WILLOW PARK, TX  
**ARCHITECT:** PERKINS & WILL  
**CONTRACTOR:** RIDGEMONT CONSTRUCTION

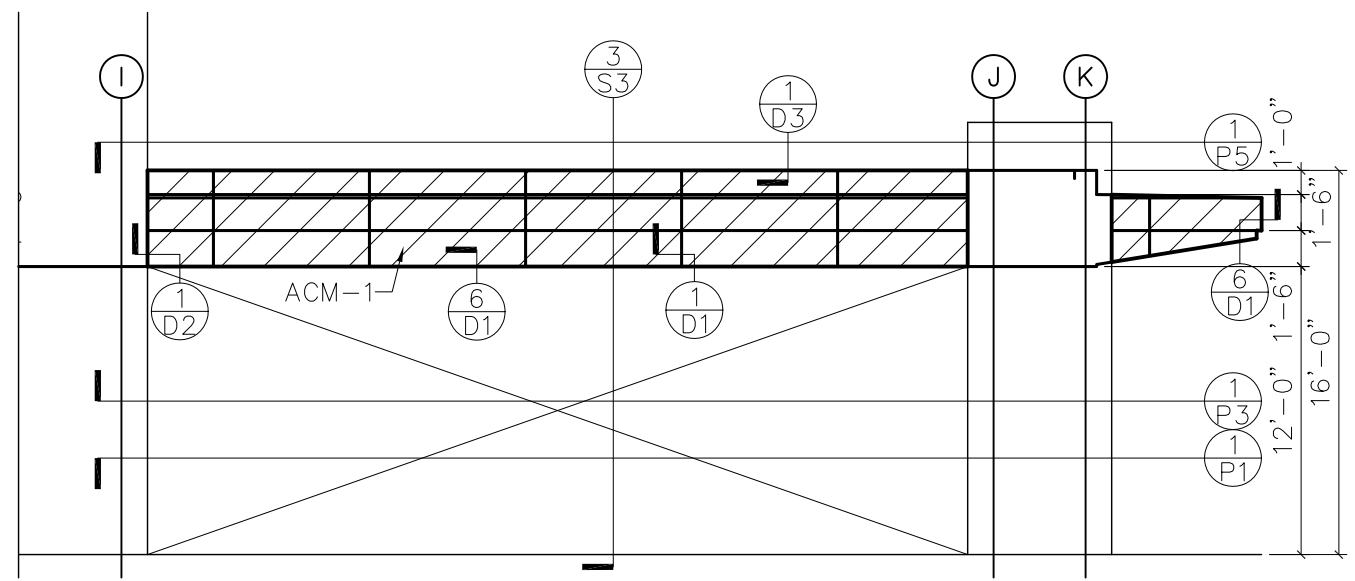
8/11/14 RESUBMIT - ARCH  
 3/21/14 SUBMITTAL-ARCH

**ELEVATION**



**1 EAST ELEVATION**  
 SCALE: NTS

NOTE: UNLESS OTHERWISE INDICATED, ALL VERT & HORIZ JOINTS ALIGNED W/ MULLIONS.



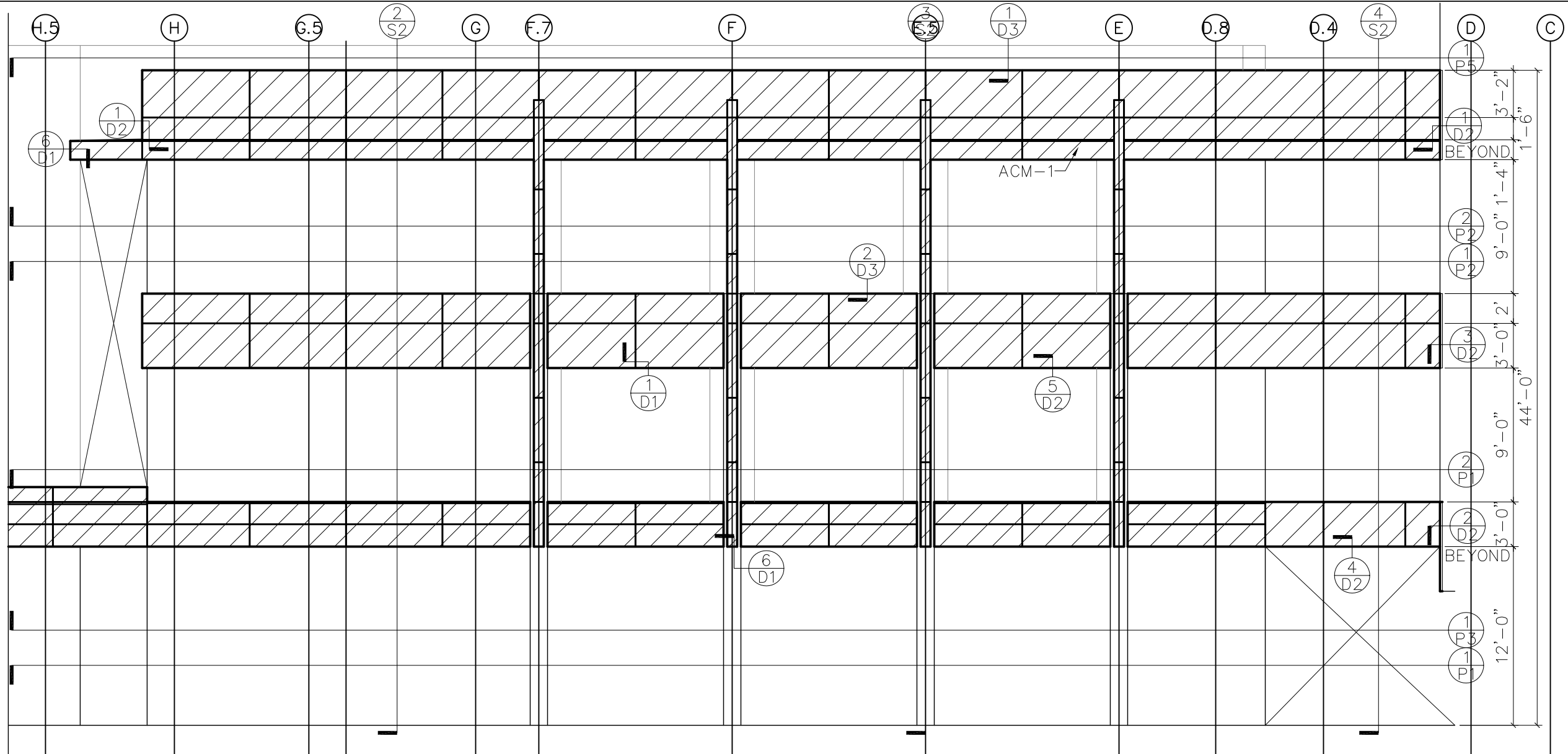
**2 EAST ELEVATION**  
 SCALE: NTS

ACM-1	
BNT BONE WHITE	
ACM-2	
ITALIAN WALNUT	

**PROJECT:** THR INTEGRATED HEALTH CAMPUS  
 WILLOW PARK, TX  
**ARCHITECT:** PERKINS & WILL  
**CONTRACTOR:** RIDGEMONT CONSTRUCTION

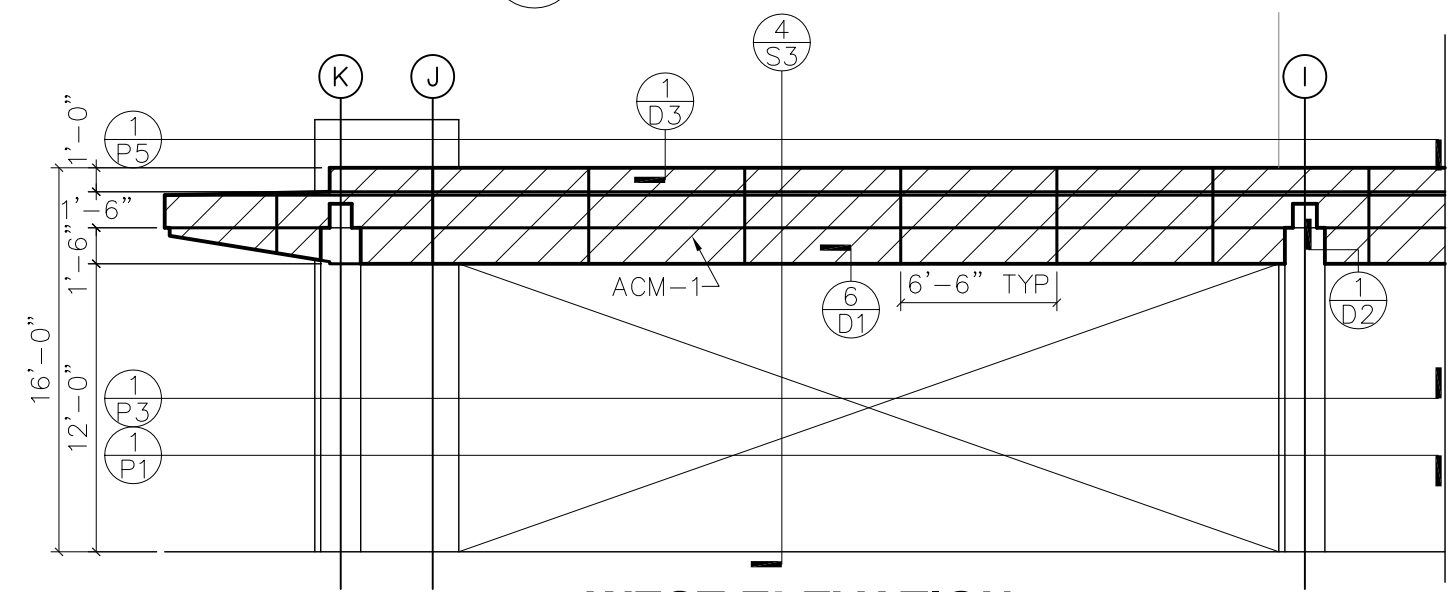
8/11/14 RESUBMIT - ARCH  
 3/21/14 SUBMITTAL-ARCH

**ELEVATION**  
 SCALE: NTS  
 DRAWN BY: I.E. BALLI  
 PROJECT: 13-797  
**E3**



**1 WEST ELEVATION**  
 SCALE: NTS

NOTE: UNLESS OTHERWISE INDICATED, ALL VERT & HORIZ JOINTS ALIGNED W/ MULLIONS.

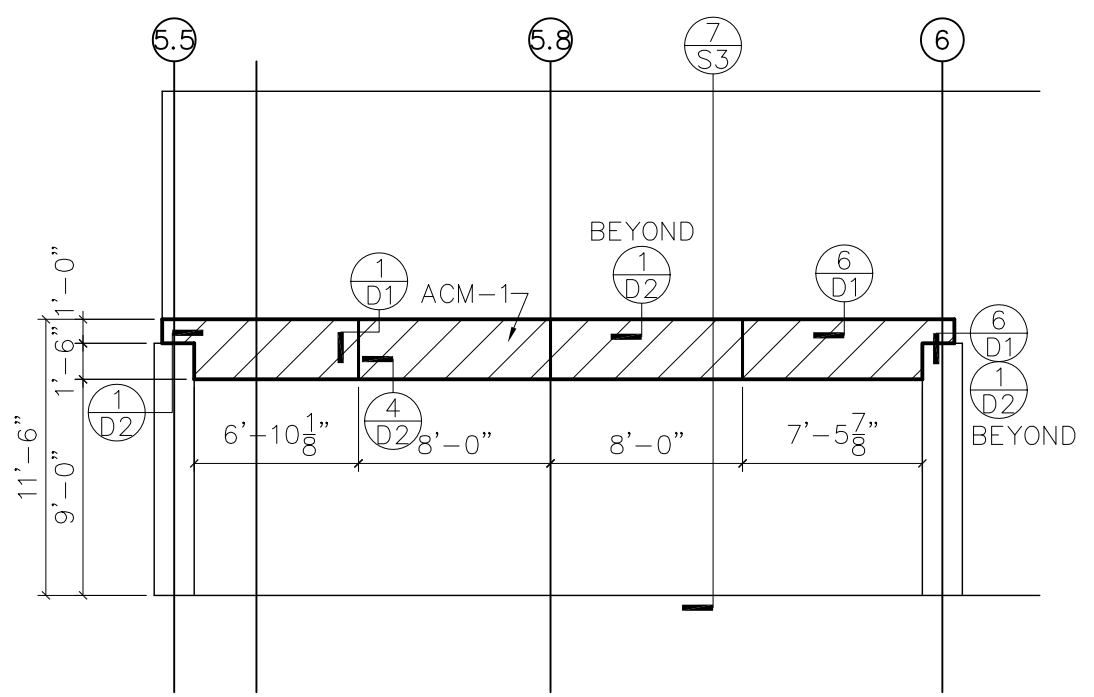


**2 WEST ELEVATION**  
 SCALE: NTS

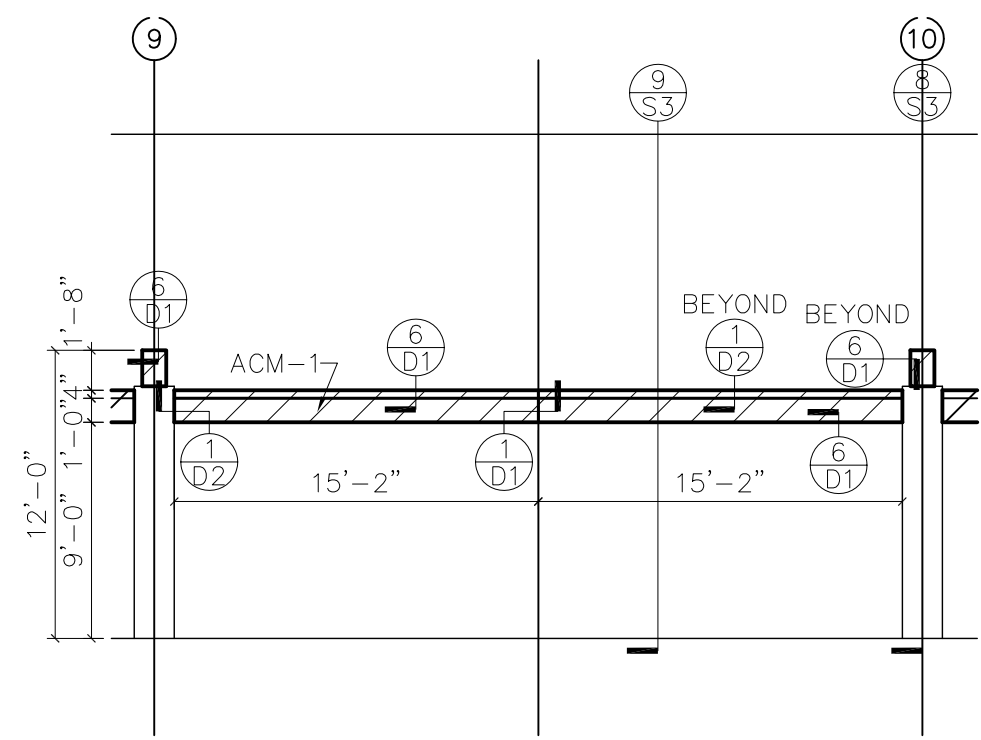
ACM-1	
BNT BONE WHITE	
ACM-2	
ITALIAN WALNUT	

**PROJECT:** THR INTEGRATED HEALTH CAMPUS  
 WILLOW PARK, TX  
**ARCHITECT:** PERKINS & WILL  
**CONTRACTOR:** RIDGEMONT CONSTRUCTION

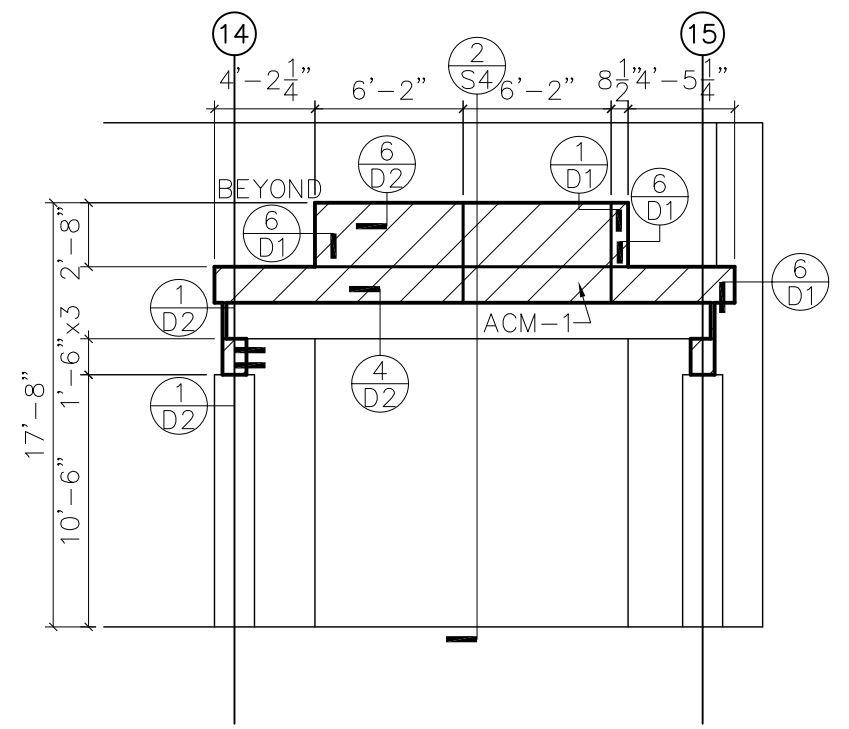
8/11/14 RESUBMIT - ARCH  
 3/21/14 SUBMITTAL-ARCH



**1 SOUTH ELEVATION**  
 SCALE: NTS



**2 SOUTH ELEVATION**  
 SCALE: NTS

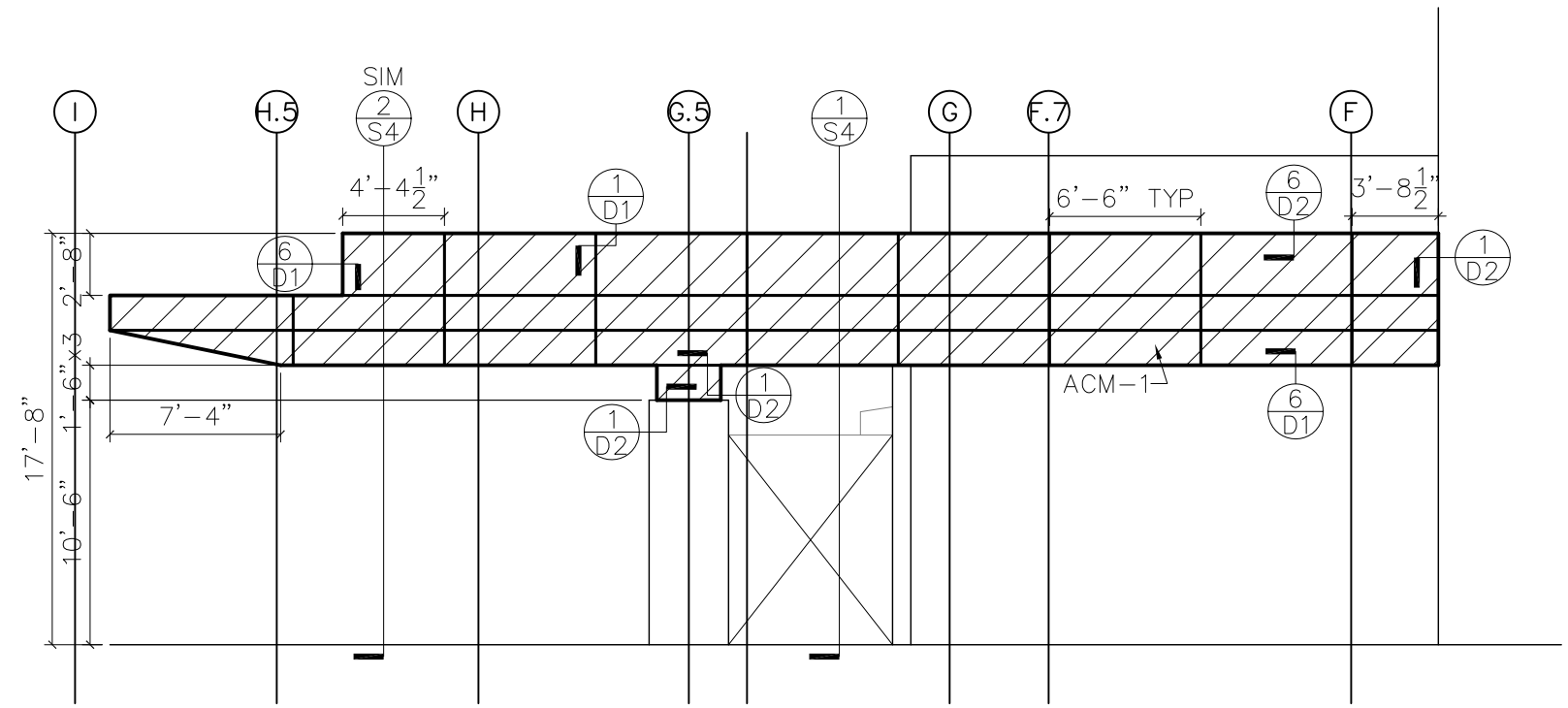


**3 SOUTH ELEVATION**  
 SCALE: NTS

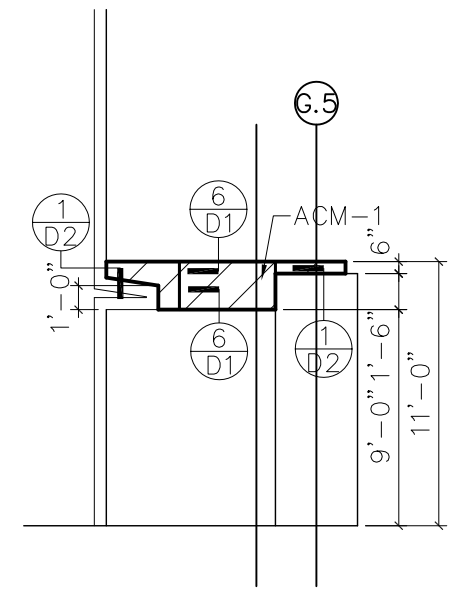
ACM-1	
BNT BONE WHITE	
ACM-2	
ITALIAN WALNUT	

**PROJECT:** THR INTEGRATED HEALTH CAMPUS  
 WILLOW PARK, TX  
**ARCHITECT:** PERKINS & WILL  
**CONTRACTOR:** RIDGEMONT CONSTRUCTION

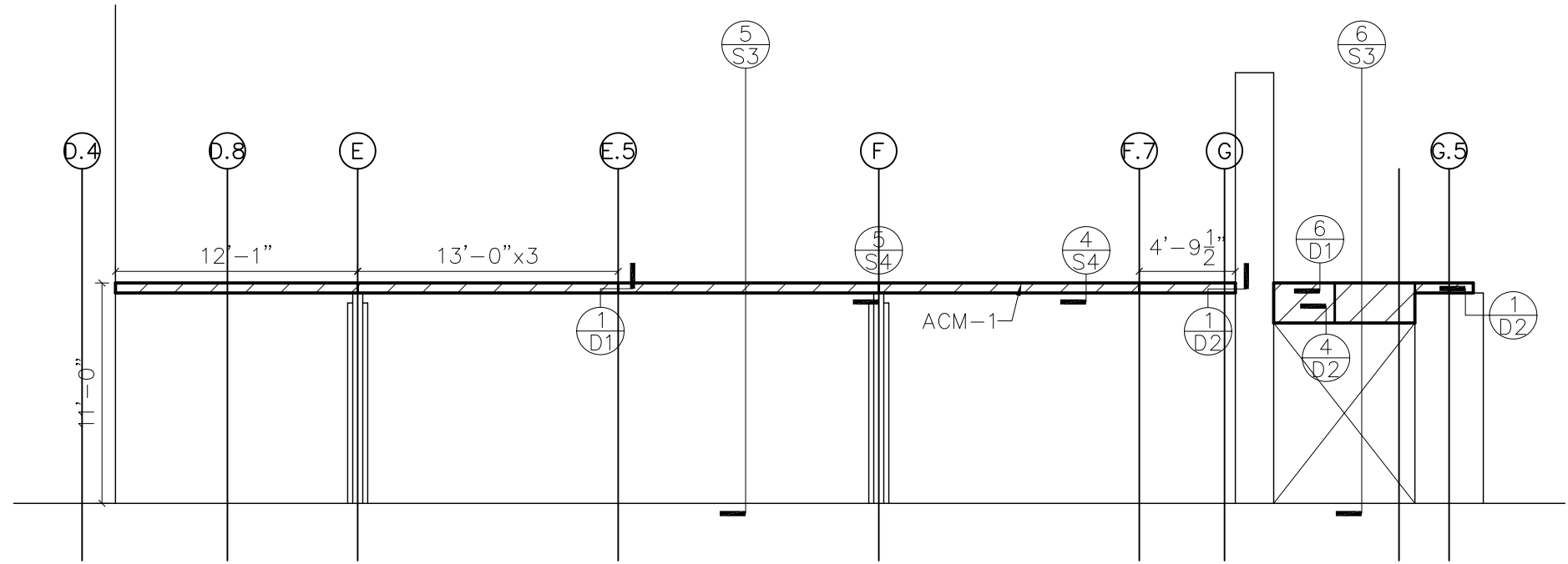
8/11/14 RESUBMIT - ARCH  
 3/21/14 SUBMITTAL-ARCH



**1 EAST ELEVATION**  
 SCALE: NTS



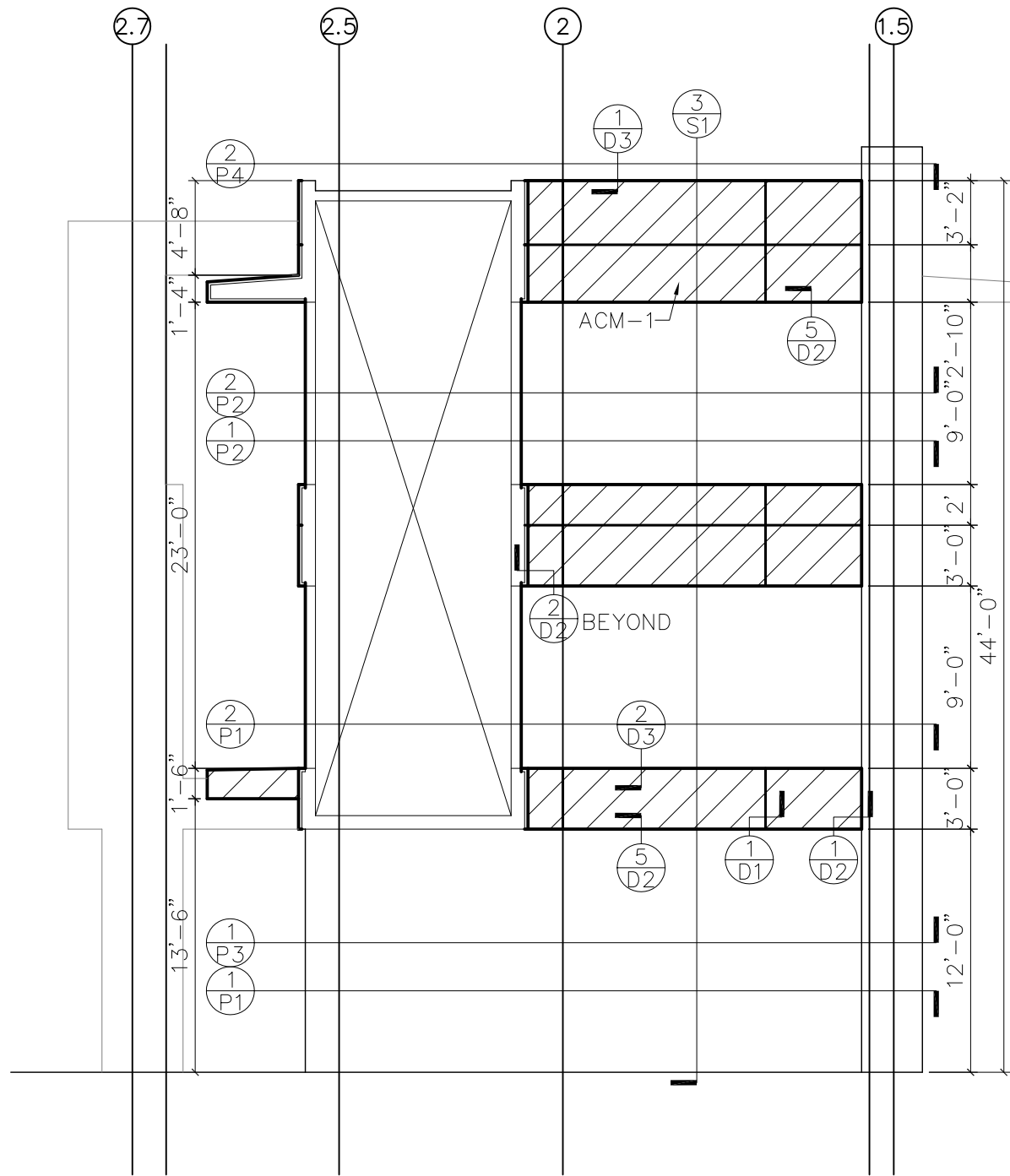
**2 EAST ELEVATION**  
 SCALE: NTS



**3 WEST ELEVATION**  
 SCALE: NTS

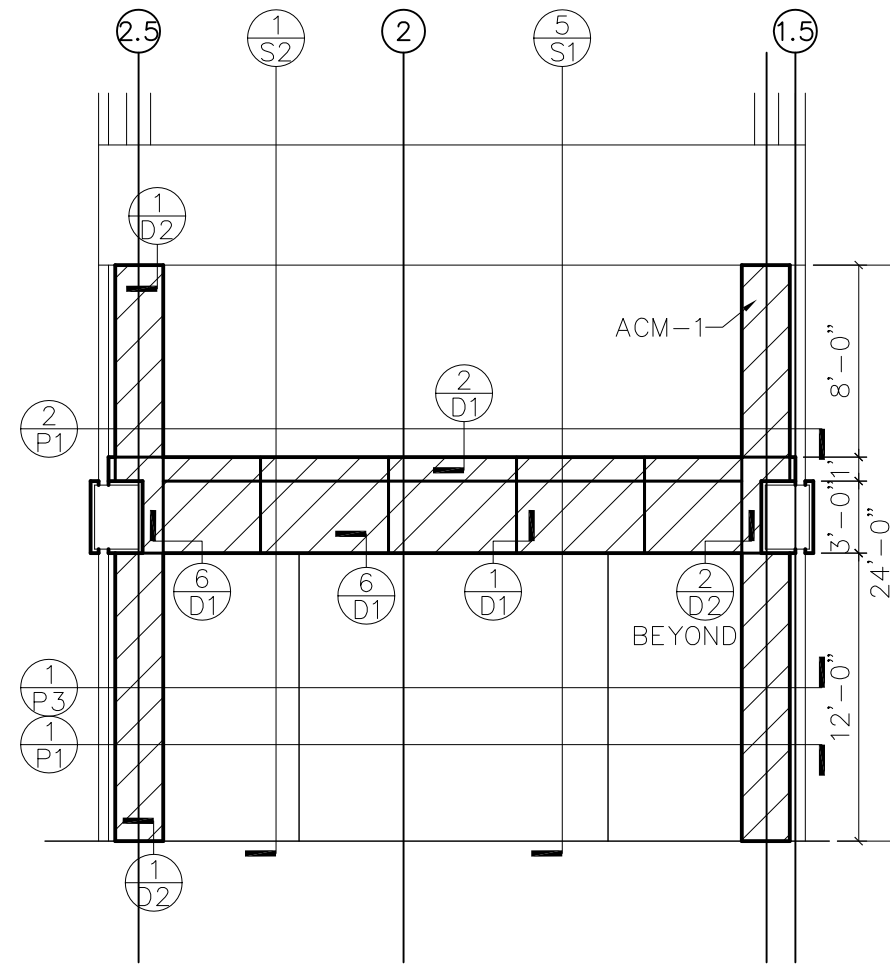
ACM-1	
BNT BONE WHITE	
ACM-2	
ITALIAN WALNUT	

NOTE: UNLESS OTHERWISE INDICATED, ALL VERT & HORIZ JOINTS ALIGNED W/ MULLIONS.



ACM-1 BNT BONE WHITE	
ACM-2 ITALIAN WALNUT	

**1 NORTH ELEVATION**  
SCALE: NTS



**2 NORTH ELEVATION**  
SCALE: NTS @ INTERIOR

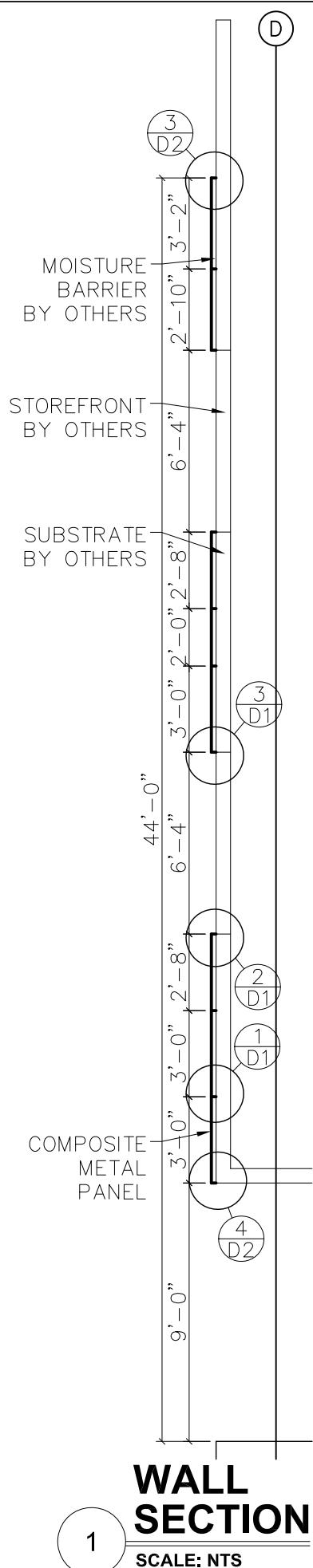
**CPT South**  
Composite Panel Technology South, Inc.  
4125 BILLY MITCHELL DR SUITE 100B ADDISON, TEXAS 75001  
PHONE: 972-720-0477 FAX: 972-720-0484

PROJECT: THR INTEGRATED HEALTH CAMPUS  
WILLOW PARK, TX  
ARCHITECT: PERKINS & WILL  
CONTRACTOR: RIDGEMONT CONSTRUCTION

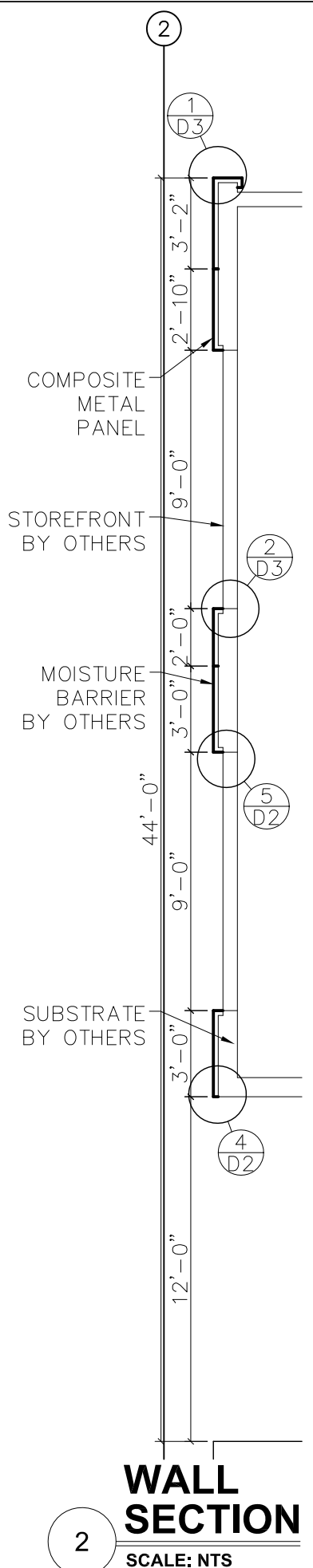
8/11/14 RESUBMIT - ARCH  
3/21/14 SUBMITTAL-ARCH

ELEVATION  
SCALE: NTS  
DRAWN BY: I.E. BALLI  
PROJECT: 13-797  
**E6**

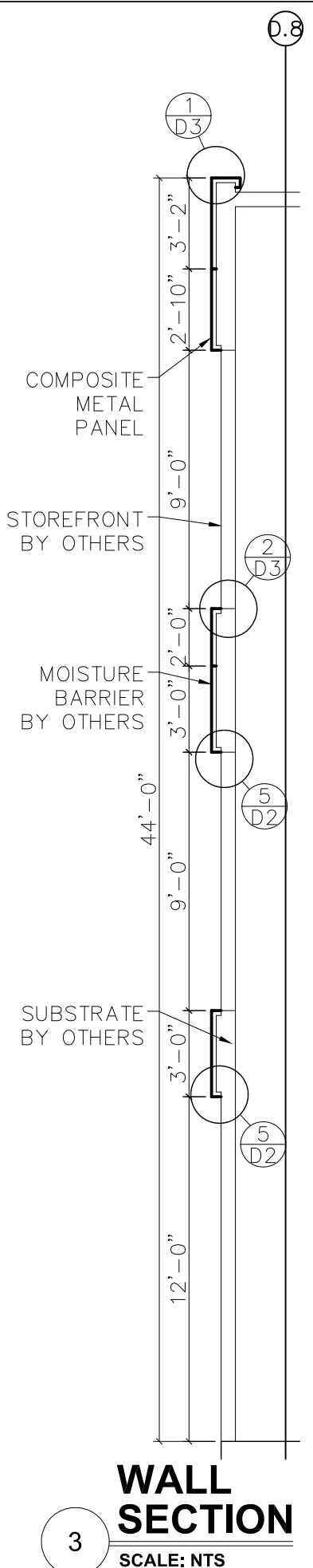




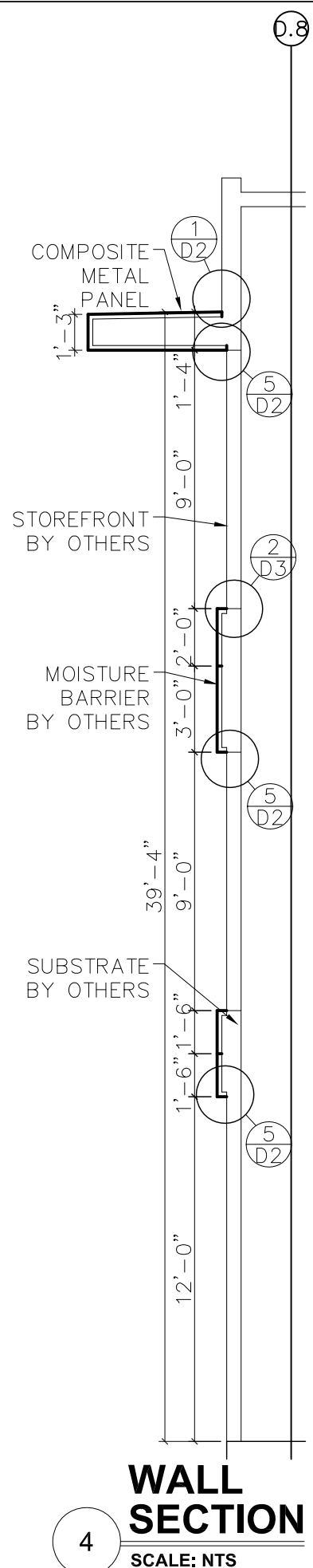
**WALL SECTION 1**  
SCALE: NTS



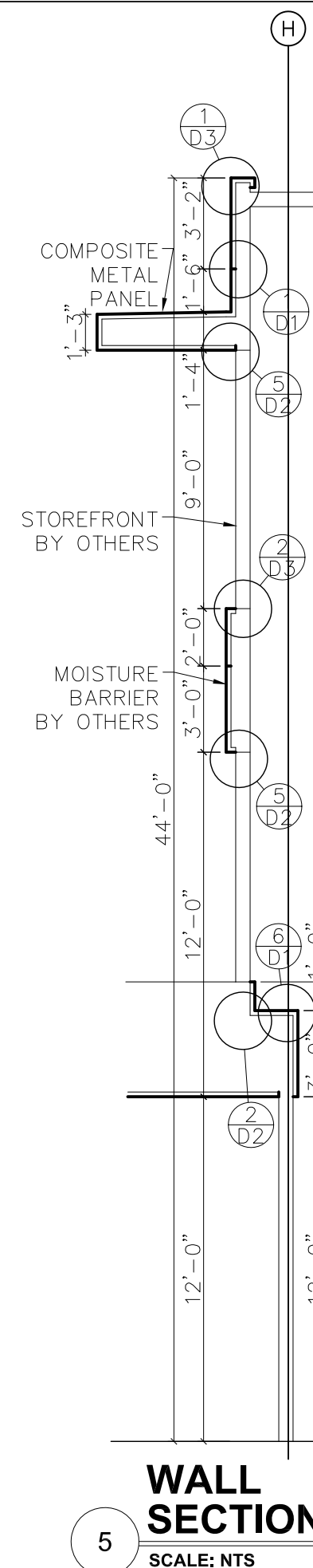
**WALL SECTION 2**  
SCALE: NTS



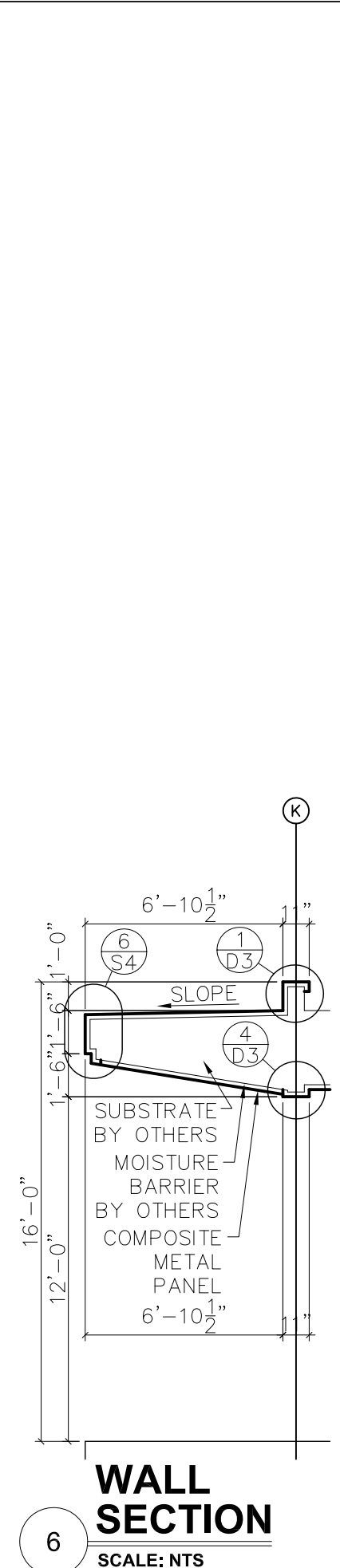
**WALL SECTION 3**  
SCALE: NTS



**WALL SECTION 4**  
SCALE: NTS



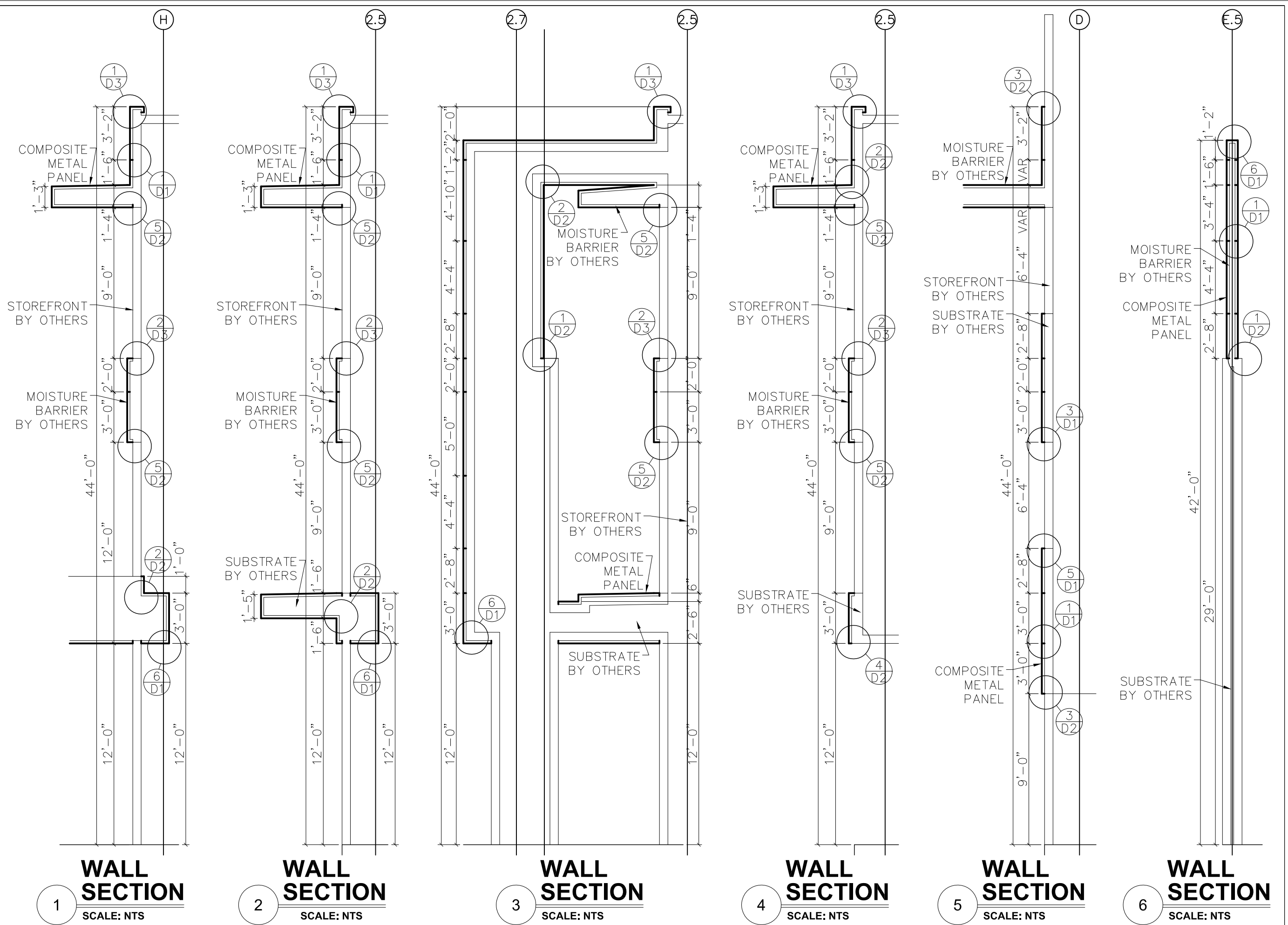
**WALL SECTION 5**  
SCALE: NTS



**WALL SECTION 6**  
SCALE: NTS

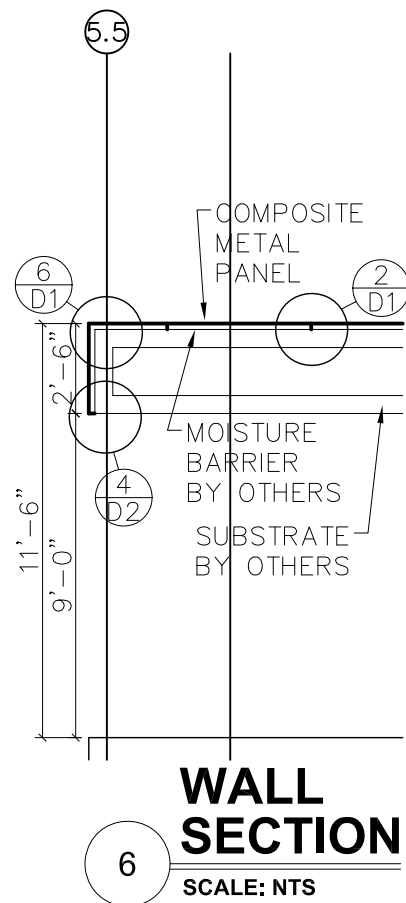
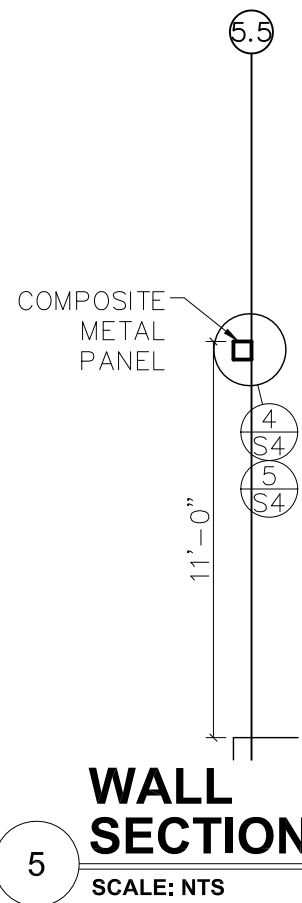
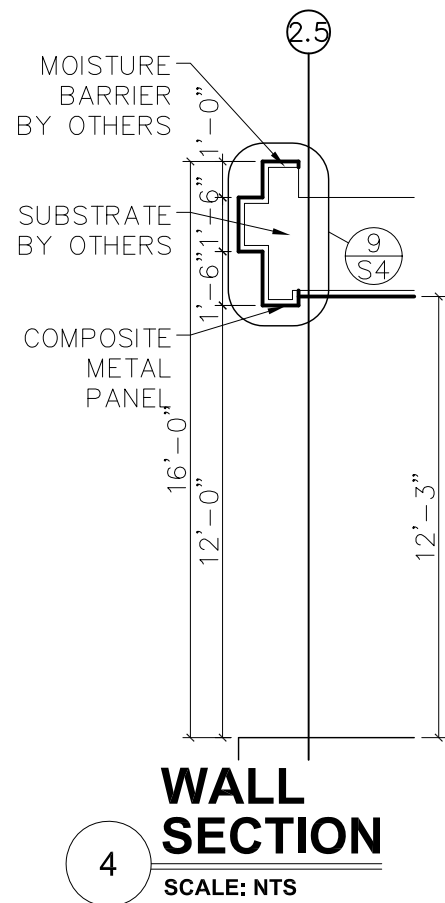
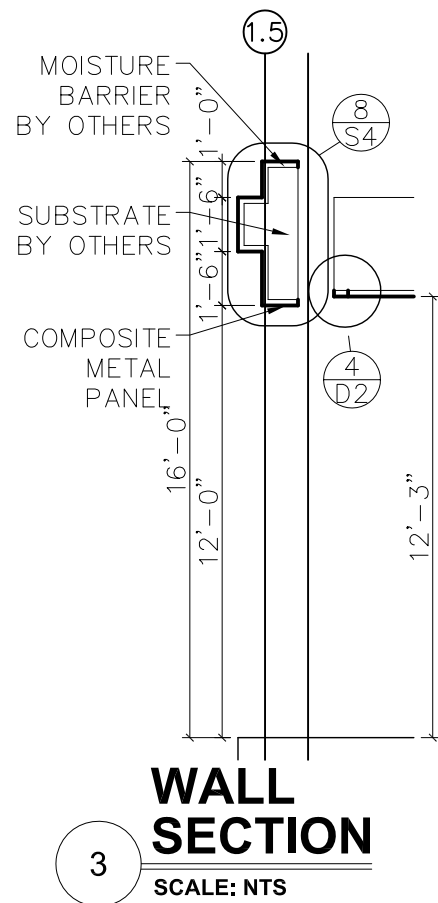
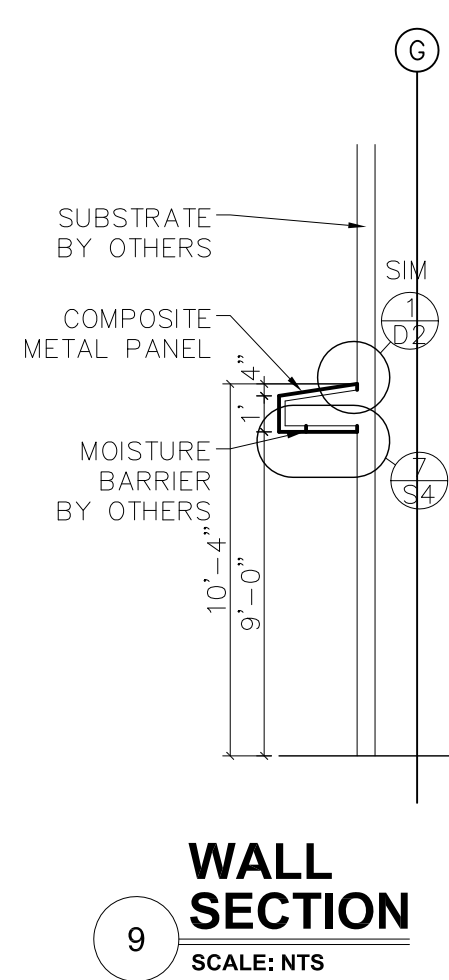
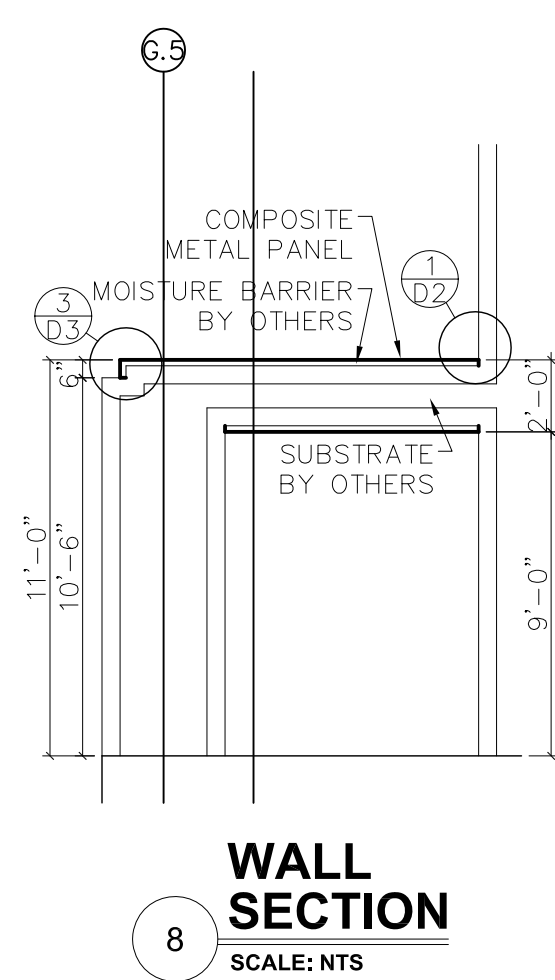
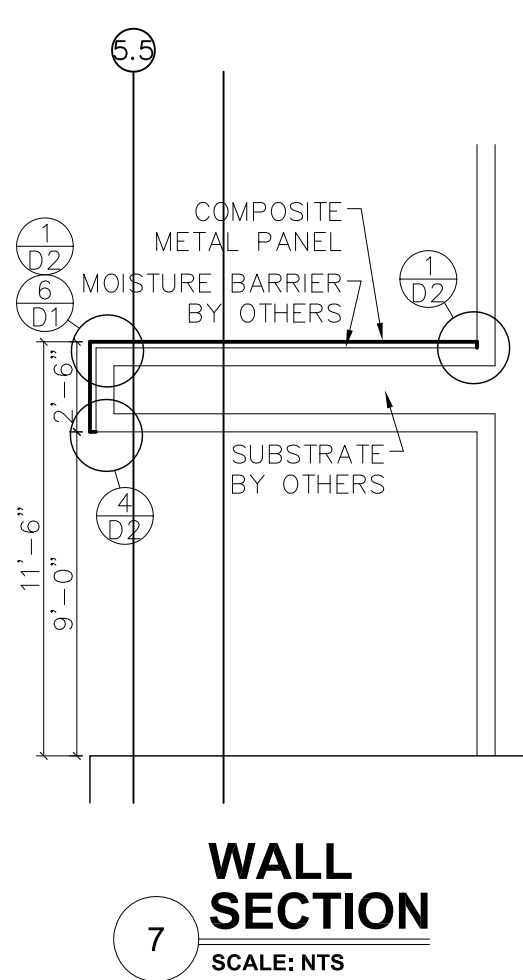
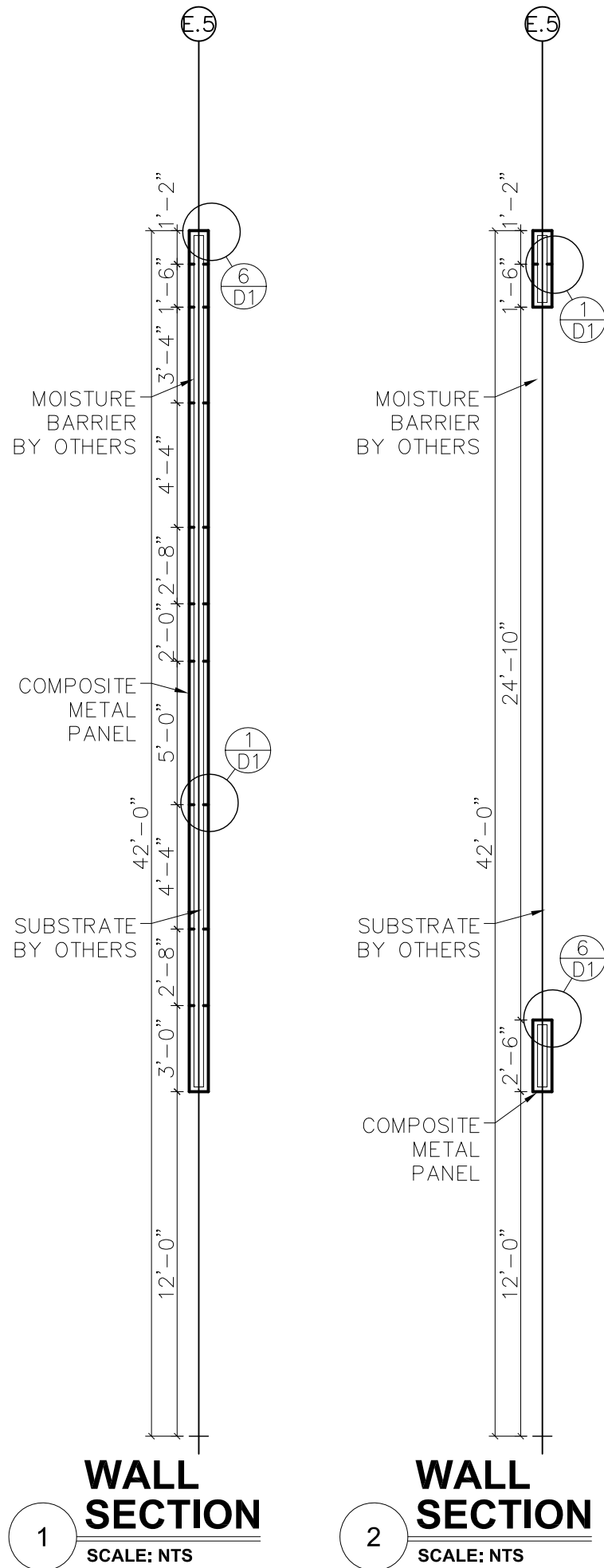
**PROJECT:** THR INTEGRATED HEALTH CAMPUS  
WILLOW PARK, TX  
**ARCHITECT:** PERKINS & WILL  
**CONTRACTOR:** RIDGEMONT CONSTRUCTION

8/11/14 RESUBMIT - ARCH  
3/21/14 SUBMITTAL-ARCH



**PROJECT:** THR INTEGRATED HEALTH CAMPUS  
 WILLOW PARK, TX  
**ARCHITECT:** PERKINS & WILL  
**CONTRACTOR:** RIDGEMONT CONSTRUCTION

8/11/14 RESUBMIT - ARCH  
 3/21/14 SUBMITTAL-ARCH

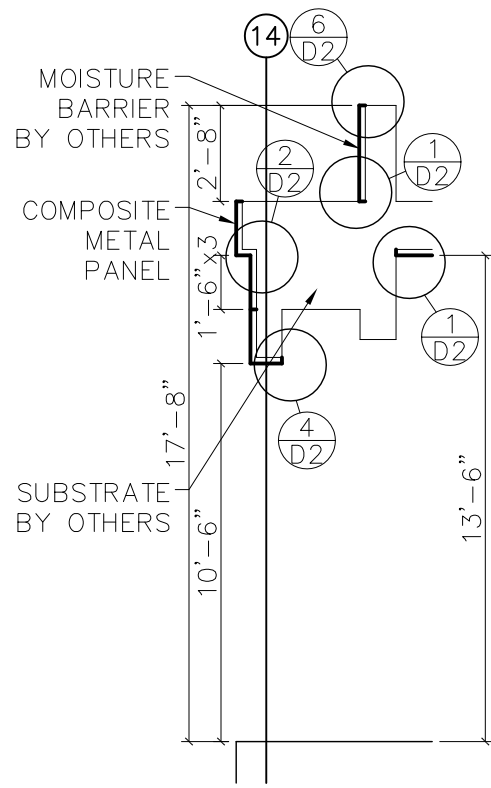


**PROJECT:** THR INTEGRATED HEALTH CAMPUS  
WILLOW PARK, TX

**ARCHITECT:** PERKINS & WILL

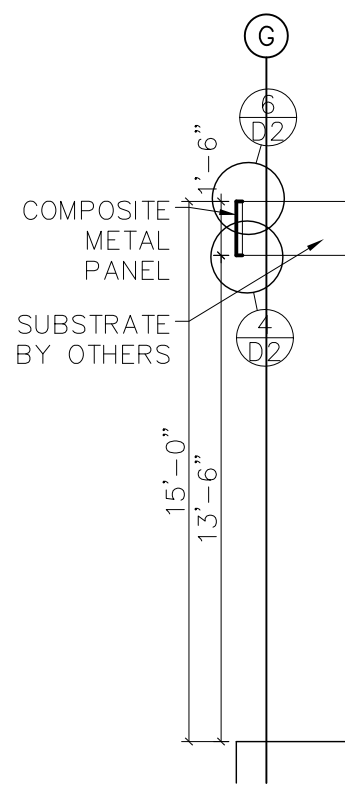
**CONTRACTOR:** RIDGEMONT CONSTRUCTION

8/11/14 RESUBMIT - ARCH  
3/21/14 SUBMITTAL-ARCH



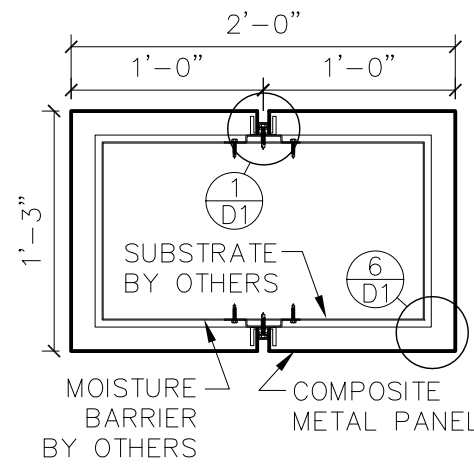
**1 WALL SECTION**

SCALE: NTS



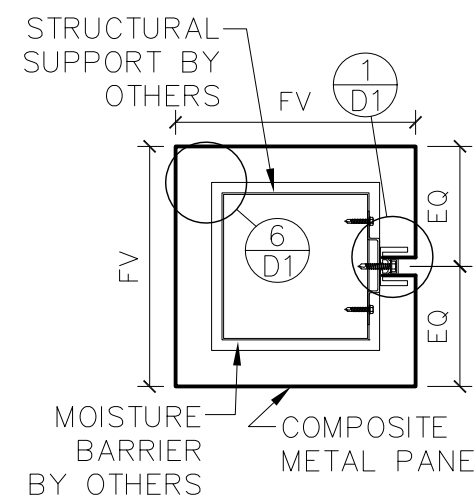
**2 WALL SECTION**

SCALE: NTS



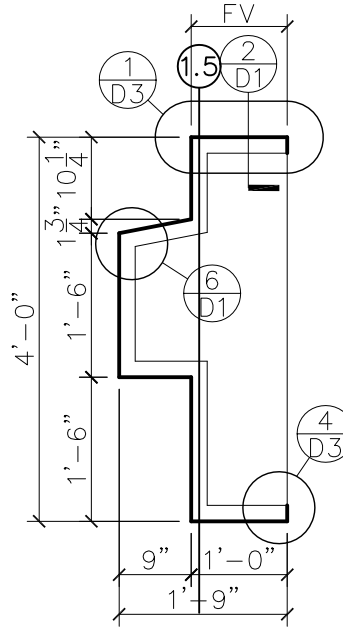
**3 COLUMN SECTION**

SCALE: NTS



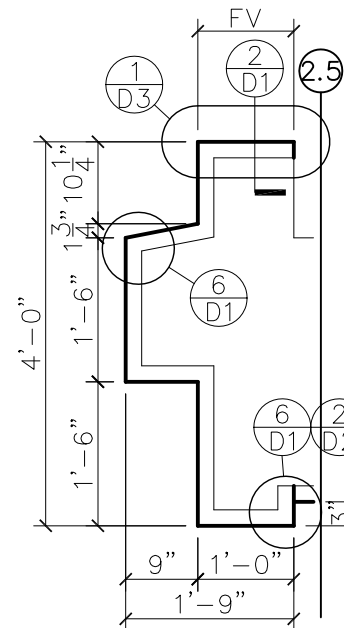
**4 BEAM SECTION**

SCALE: NTS



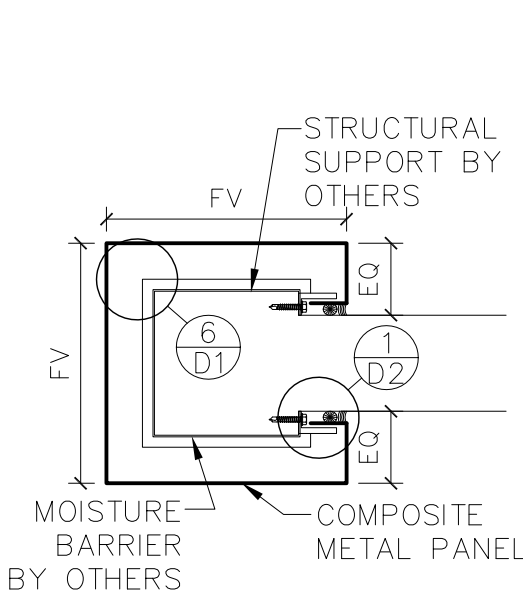
**8 CANOPY SECTION**

SCALE: NTS



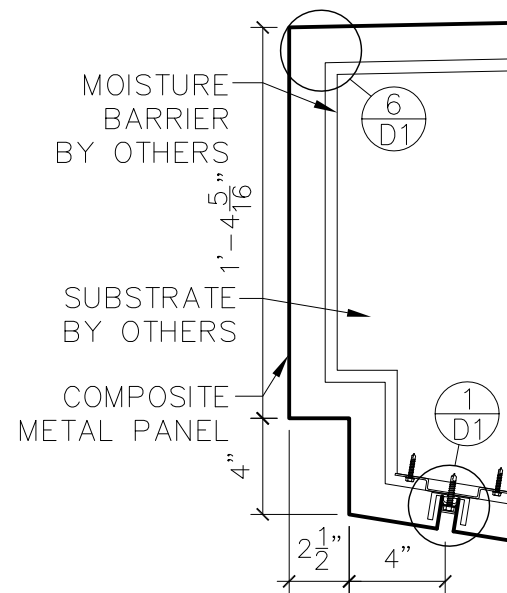
**9 CANOPY SECTION**

SCALE: NTS



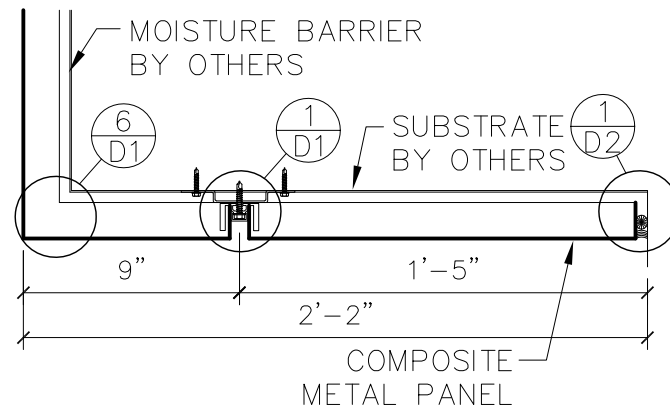
**5 BEAM SECTION**

SCALE: NTS



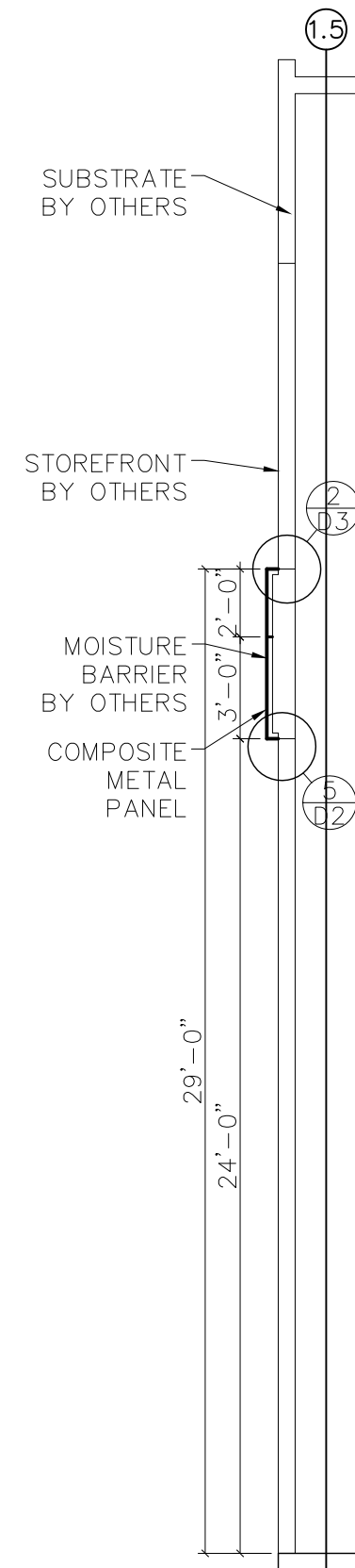
**6 OVERHANG SECTION**

SCALE: NTS



**7 CANOPY SECTION**

SCALE: NTS



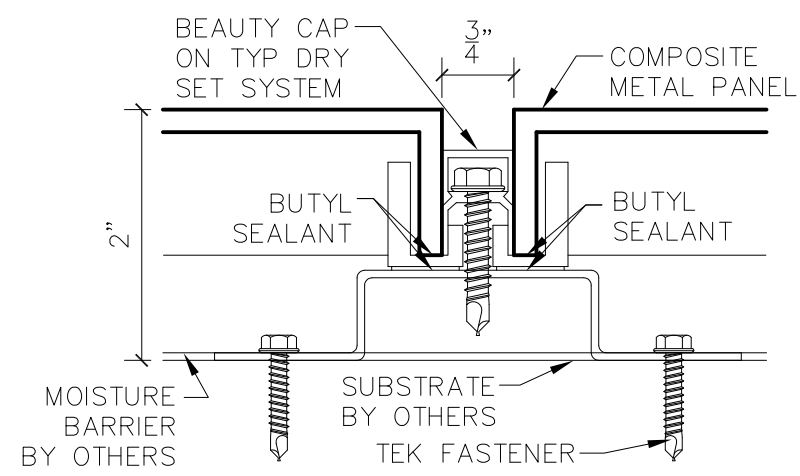
**10 WALL SECTION**

SCALE: NTS

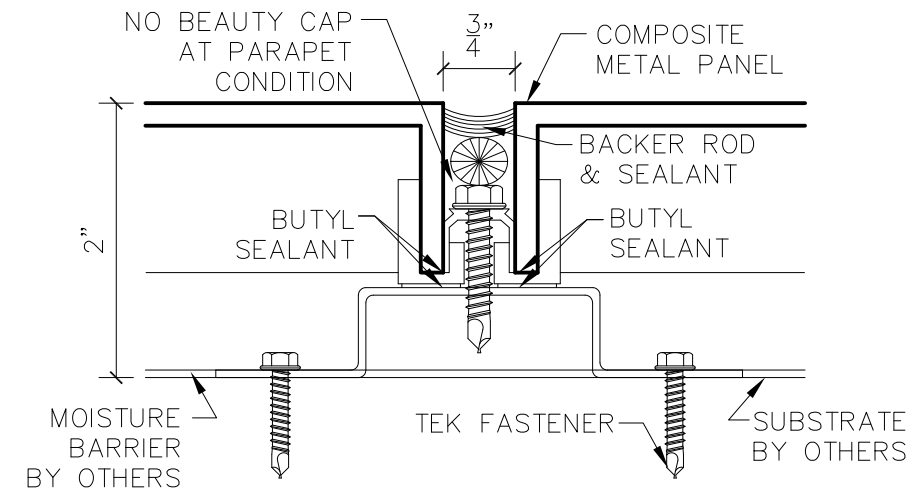
PROJECT: **THR INTEGRATED HEALTH CAMPUS**  
WILLOW PARK, TX  
ARCHITECT: **PERKINS & WILL**  
CONTRACTOR: **RIDGEMONT CONSTRUCTION**

8/11/14 RESUBMIT - ARCH  
3/21/14 SUBMITTAL-ARCH

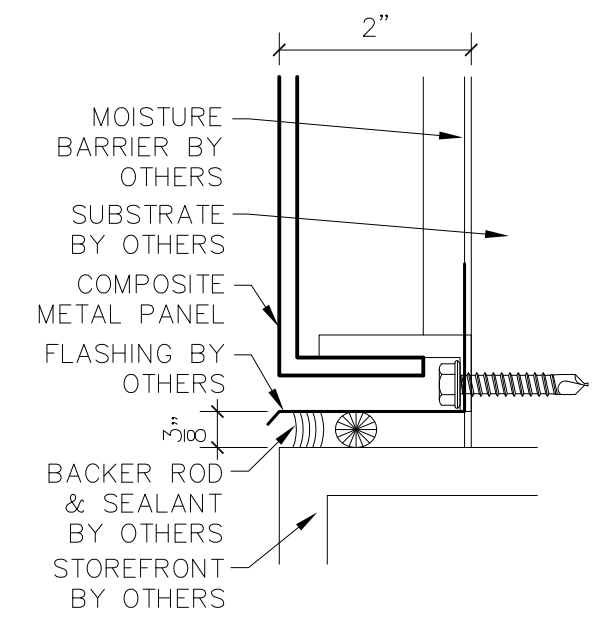
**SECTIONS**



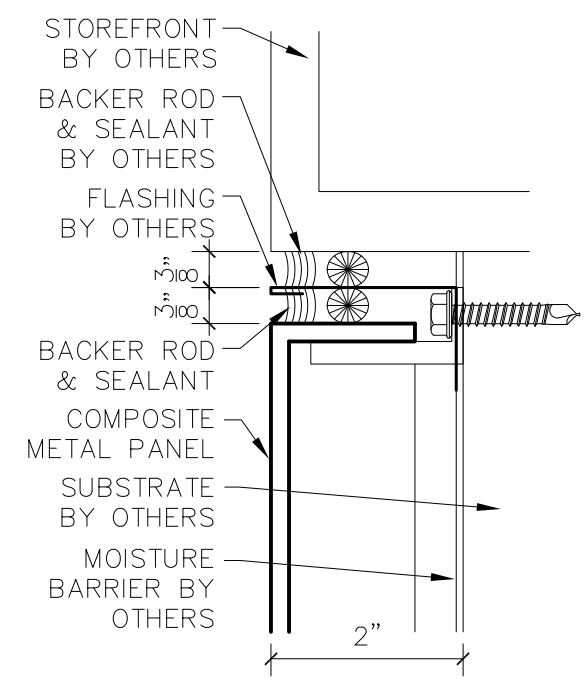
**1 TYP JOINT DETAIL**  
SCALE: NTS



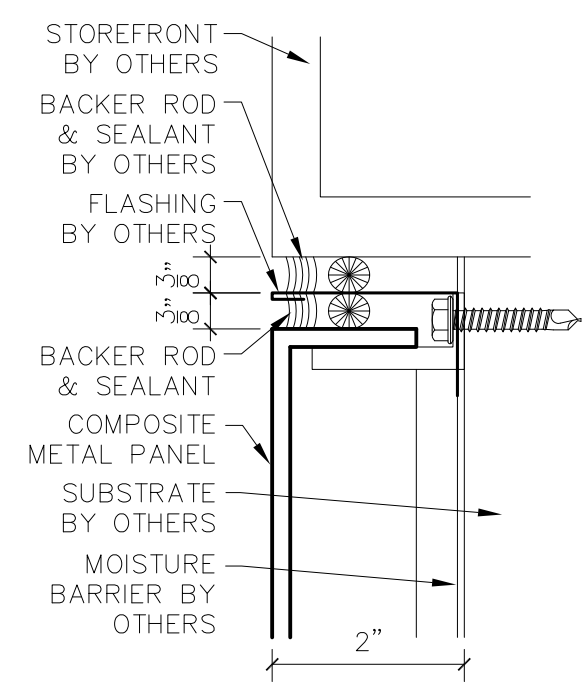
**2 JOINT DETAIL @ ROOF**  
SCALE: NTS



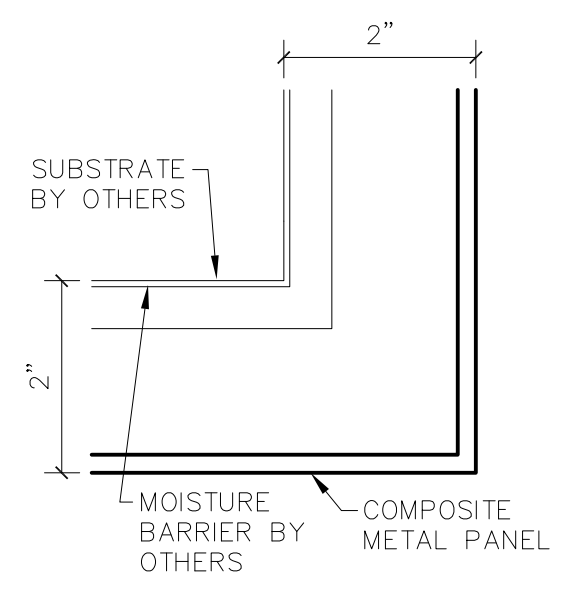
**3 HEAD DETAIL**  
SCALE: NTS



**4 SILL DETAIL**  
SCALE: NTS



**5 JAMB DETAIL**  
SCALE: NTS



**6 CORNER DETAIL**  
SCALE: NTS @ OUTSIDE

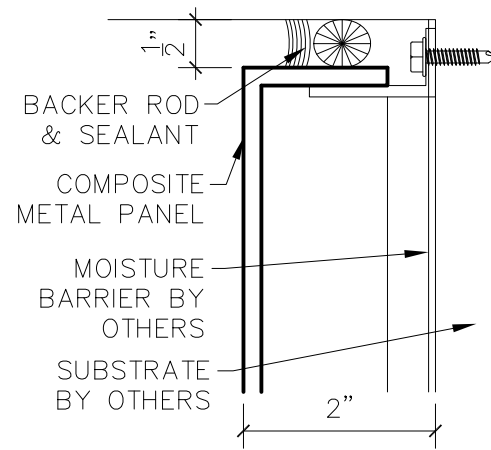
**CPPT South**  
Composite Panel Technology South, Inc.  
4125 BILLY MITCHELL DR SUITE 100B ADDISON, TEXAS 75001  
PHONE: 972-720-0477 FAX: 972-720-0484

**PROJECT:** THR INTEGRATED HEALTH CAMPUS  
WILLOW PARK, TX  
**ARCHITECT:** PERKINS & WILL  
**CONTRACTOR:** RIDGEMONT CONSTRUCTION

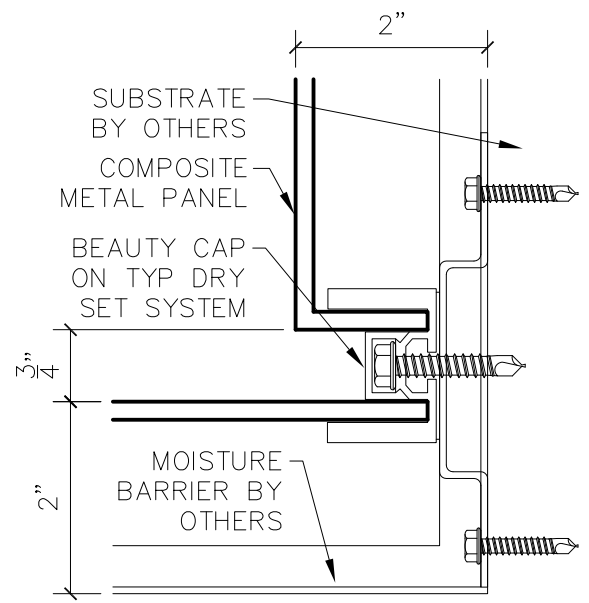
8/11/14 RESUBMIT - ARCH  
3/21/14 SUBMITTAL-ARCH

**DETAILS**

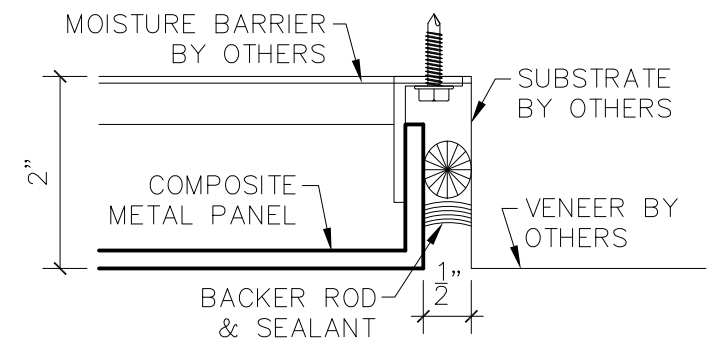
SCALE: NTS  
DRAWN BY: I.E. BALLI  
PROJECT: 13-797  
**D1**



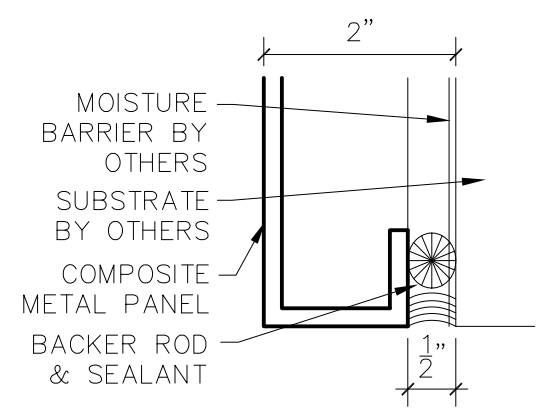
**1 TERMINATION DETAIL**  
SCALE: NTS



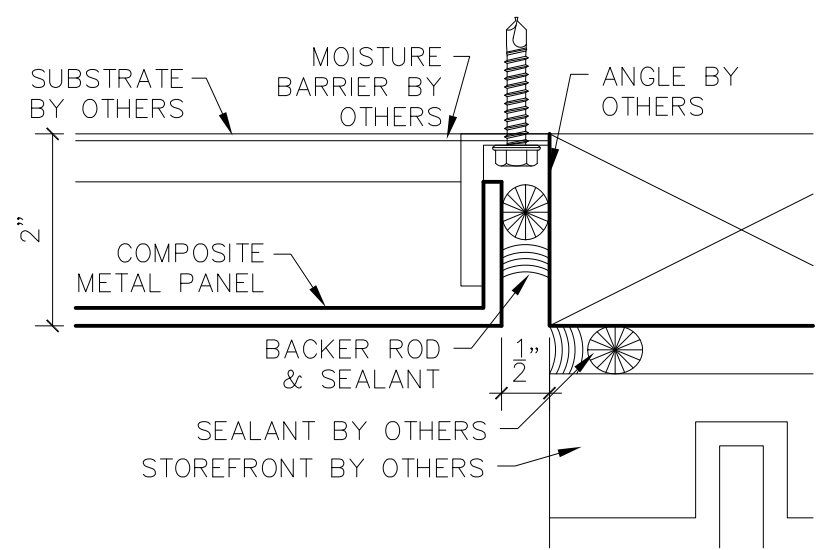
**2 CORNER DETAIL**  
SCALE: NTS @ INSIDE



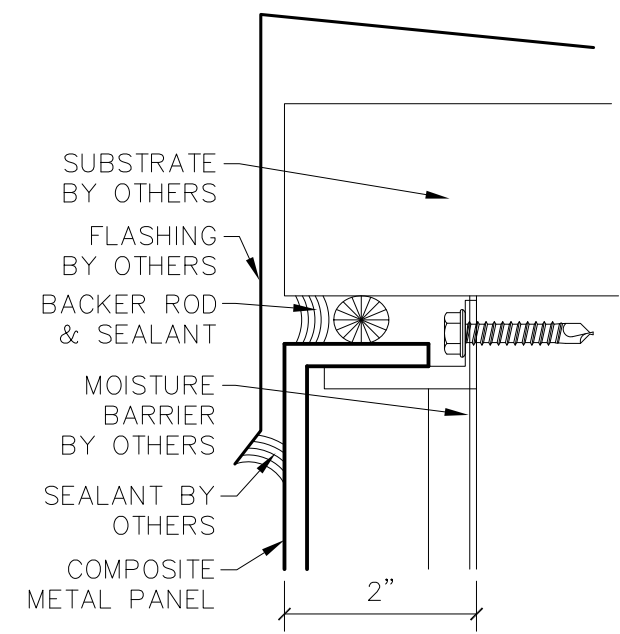
**3 TRANSITION DETAIL**  
SCALE: NTS



**4 TERMINATION DETAIL**  
SCALE: NTS



**5 HEAD DETAIL**  
SCALE: NTS



**6 TERMINATION DETAIL**  
SCALE: NTS @ PARAPET

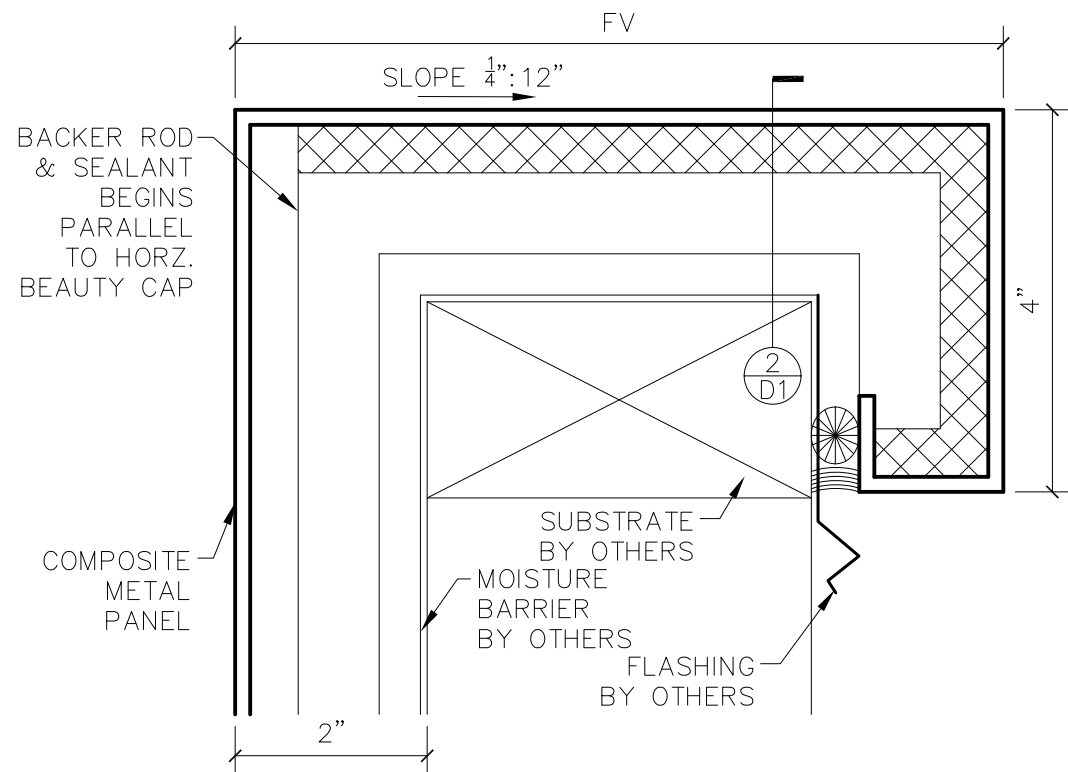
**CPT South**  
 Composite Panel Technology South, Inc.  
 4125 BILLY MITCHELL DR SUITE 100B  
 ADDISON, TEXAS 75001  
 PHONE: 972-720-0477  
 FAX: 972-720-0484

**PROJECT:** THR INTEGRATED HEALTH CAMPUS  
 WILLOW PARK, TX  
**ARCHITECT:** PERKINS & WILL  
**CONTRACTOR:** RIDGEMONT CONSTRUCTION

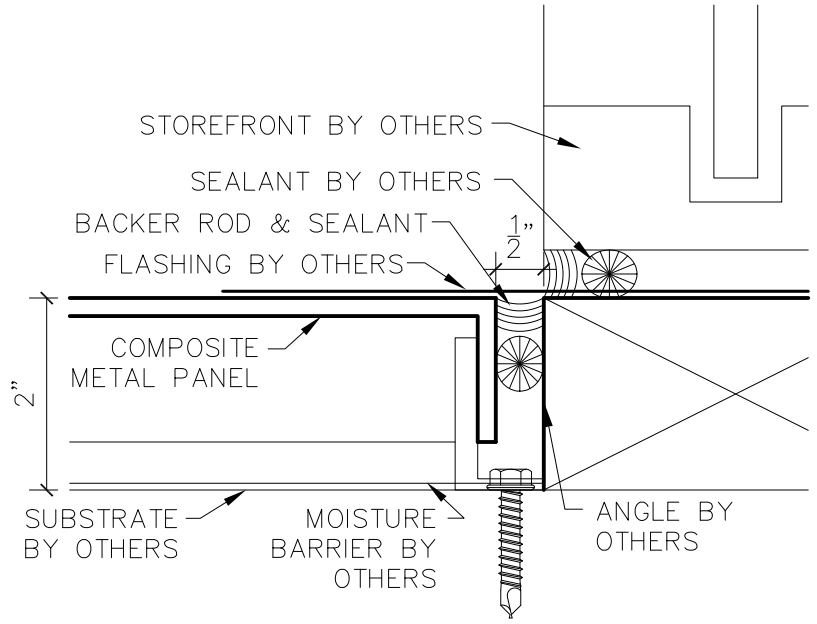
8/11/14 RESUBMIT - ARCH  
3/21/14 SUBMITTAL-ARCH

**DETAILS**

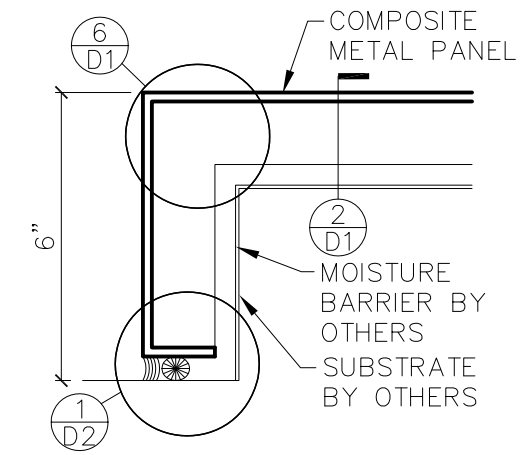
SCALE: NTS  
 DRAWN BY: I.E. BALLI  
 PROJECT: 13-797  
**D2**



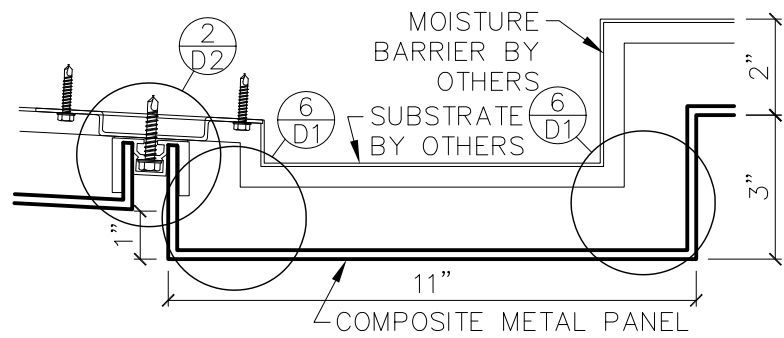
**1 PARAPET DETAIL**  
SCALE: NTS



**2 SILL DETAIL**  
SCALE: NTS @ ROOF



**3 TERMINATION DETAIL**  
SCALE: NTS



**4 SOFFIT DETAIL**  
SCALE: NTS

**CPPT South**  
Composite Panel Technology South, Inc.  
4125 BILLY MITCHELL DR SUITE 100B ADDISON, TEXAS 75001  
PHONE: 972-720-0477 FAX: 972-720-0484

PROJECT: THR INTEGRATED HEALTH CAMPUS  
WILLOW PARK, TX  
ARCHITECT: PERKINS & WILL  
CONTRACTOR: RIDGEMONT CONSTRUCTION

8/11/14 RESUBMIT - ARCH  
3/21/14 SUBMITTAL-ARCH

DETAILS

SCALE: NTS  
DRAWN BY: I.E. BALLI  
PROJECT: 13-797  
SHEET # **D3**