

Jan. 4, 1966

A. H. BAHNSON, JR

3,227,901

ELECTRICAL THRUST PRODUCING DEVICE

Filed Sept. 15, 1961

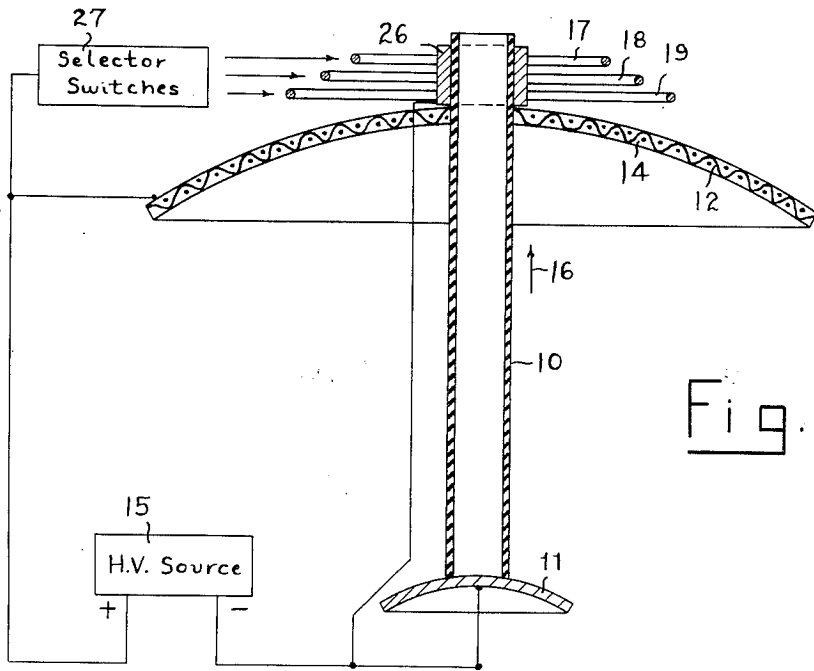


Fig. 1

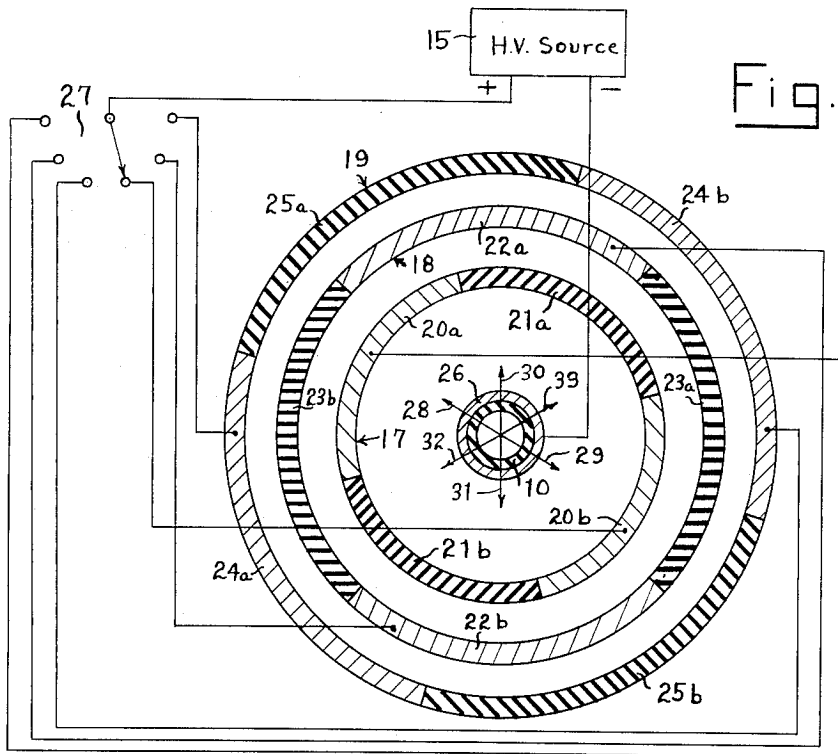


Fig. 2