

Nov. 1, 1960

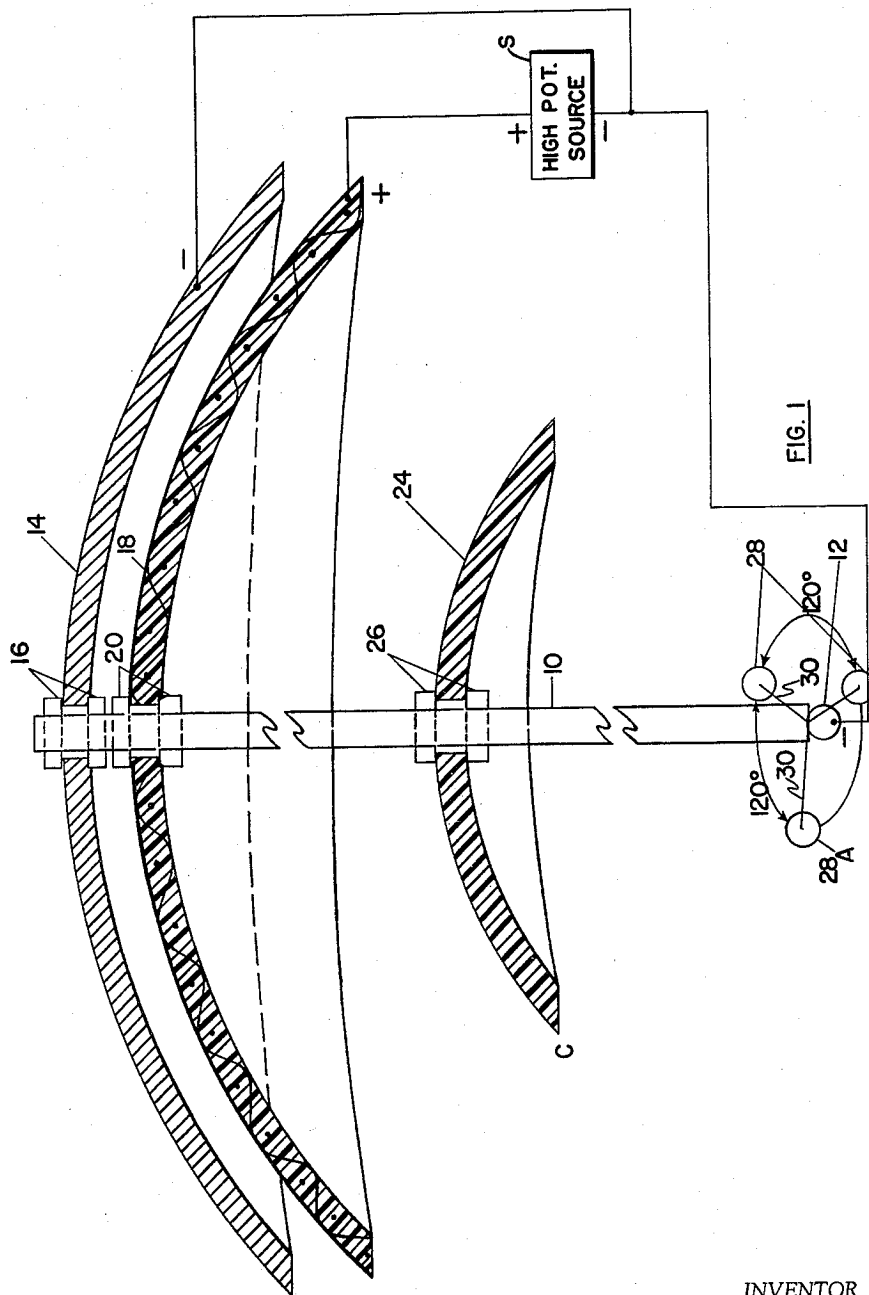
A. H. BAHNSON, JR

2,958,790

ELECTRICAL THRUST PRODUCING DEVICE

Filed May 12, 1958

3 Sheets-Sheet 1



INVENTOR

A. H. Bahnsong

BY

Watson, Cole, Gindler & Watson
ATTORNEYS