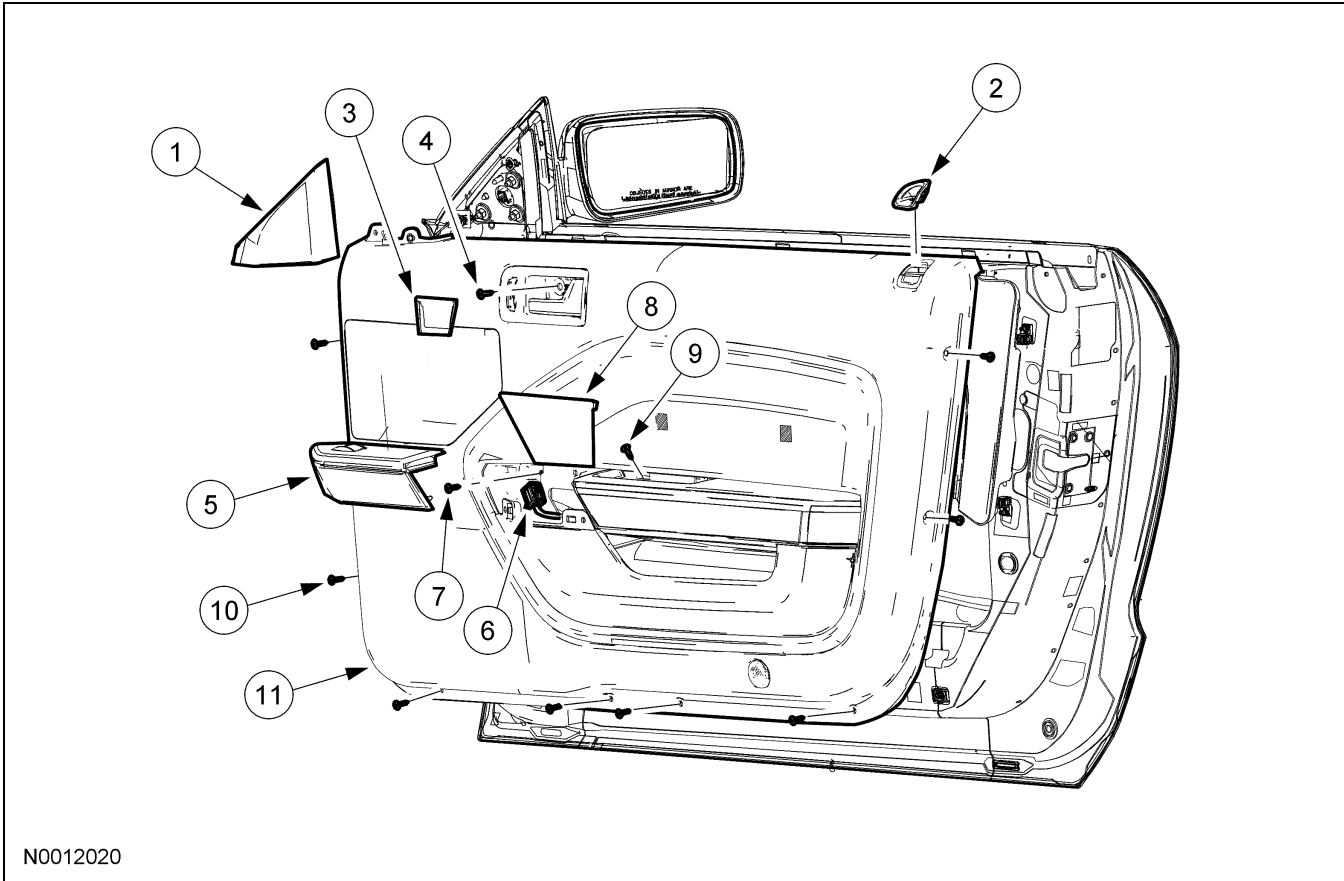


REMOVAL AND INSTALLATION

Door Trim Panel



Item	Part Number	Description
1	17D698/ 17D699	Sail panel (RH/LH)
2	63220A50/ 63220A51	Door lock control knob bezel (RH/LH)
3	6322620/ 6322621	Interior door handle cover (RH/LH)
4	N807780	Door trim panel bolt
5	14527/14528	Window control switch housing (RH/LH)
6	—	Window control switch electrical connector
7	W709996-S	Door trim panel screw
8	6320456/ 6320457	Door trim panel handle cover (RH/LH)
9	N807780	Door trim panel bolt
10	W709996-S	Door trim panel screws (8 required)

(Continued)

Item	Part Number	Description
11	6323942/ 6323943	Door trim panel (RH/LH)

Removal and Installation

- Remove the sail panel.
 - If equipped, disconnect the exterior mirror control switch electrical connector.
- Remove the interior door handle cover and bolt.
- Remove the window control switch housing.
 - Disconnect the electrical connector.
- Remove the door trim panel center screw.
- Remove the door trim panel handle cover and bolt.

REMOVAL AND INSTALLATION (Continued)

6. Remove the 8 outer door trim panel screws and door trim panel.
 - Disconnect the interior door handle actuating cable.
 - If equipped, disconnect the subwoofer electrical connector.
 7. To install, reverse the removal procedure.
-